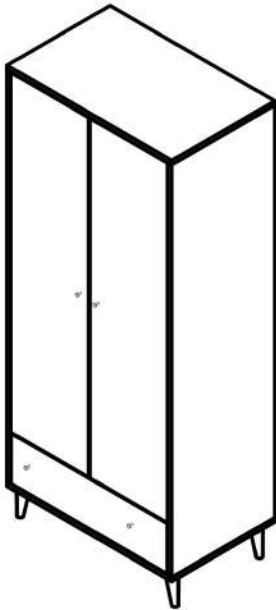
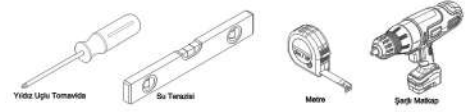


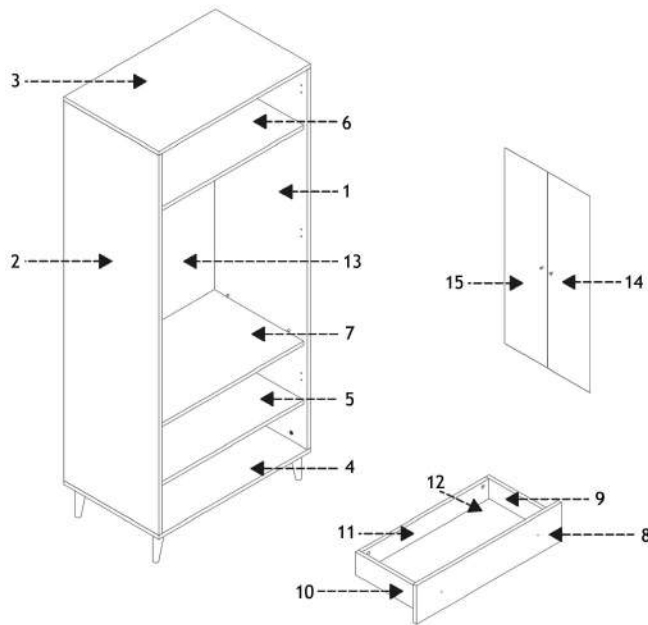
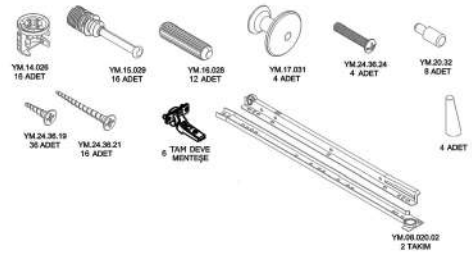
Elegant Cabinet with 2 Doors and 1 Drawer



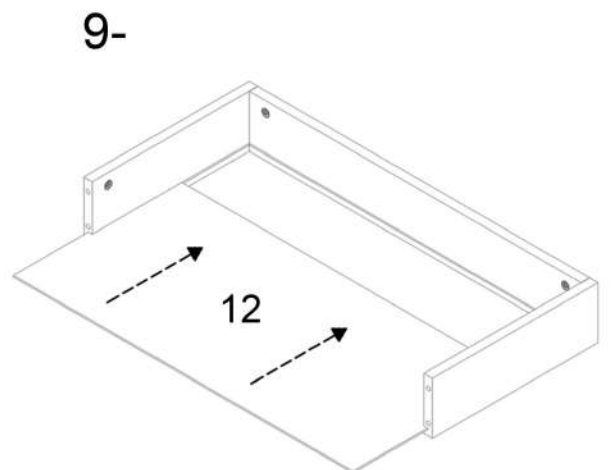
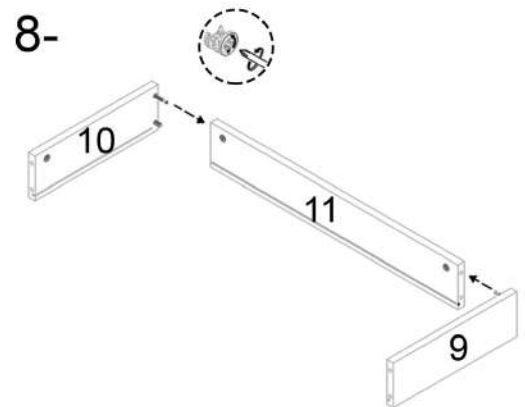
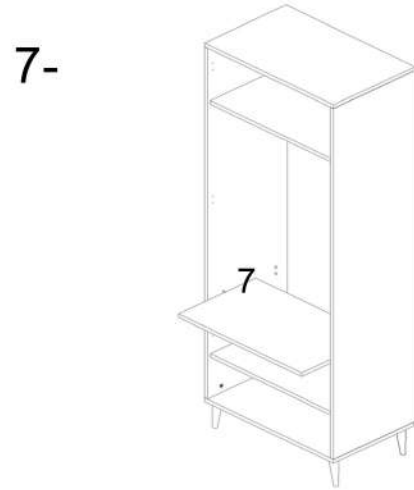
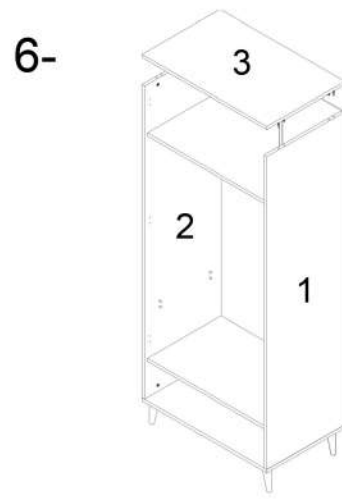
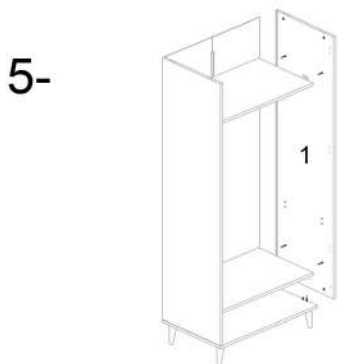
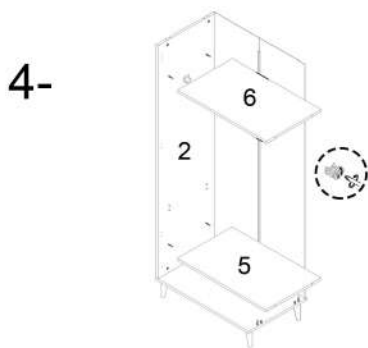
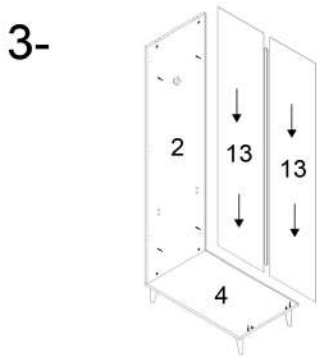
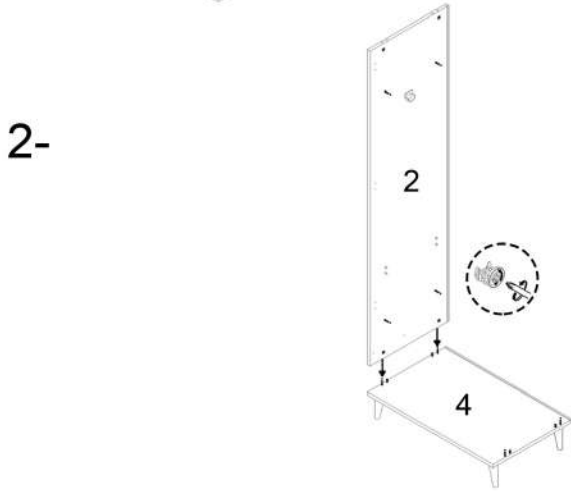
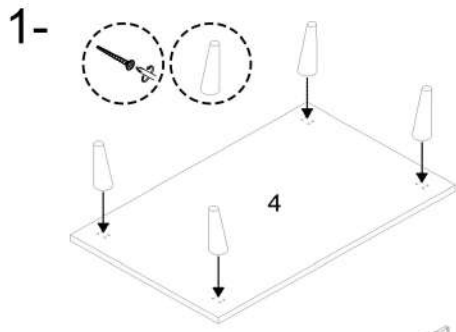
MATERIAL REQUIRED FOR INSTALLATION

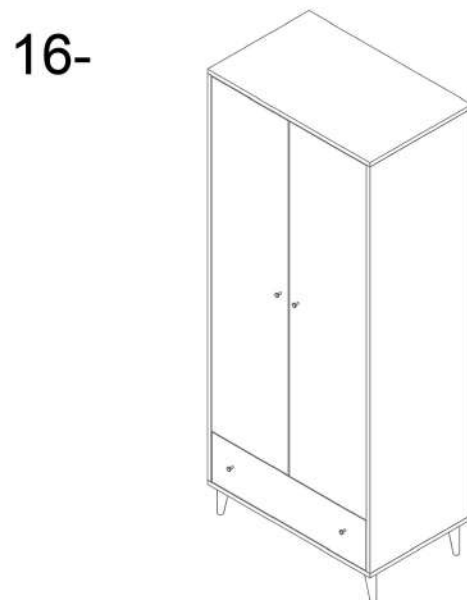
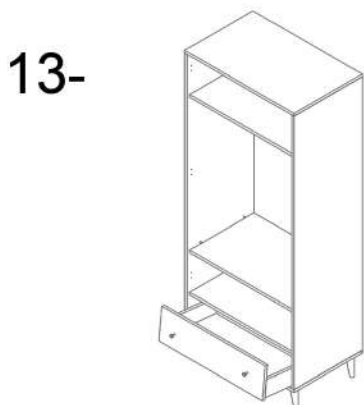
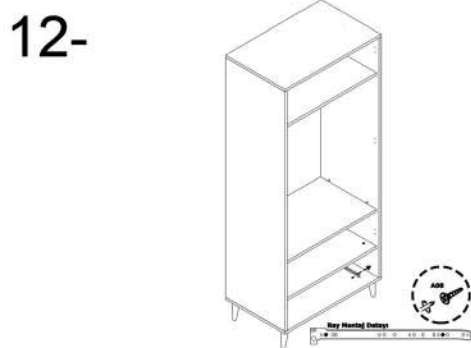
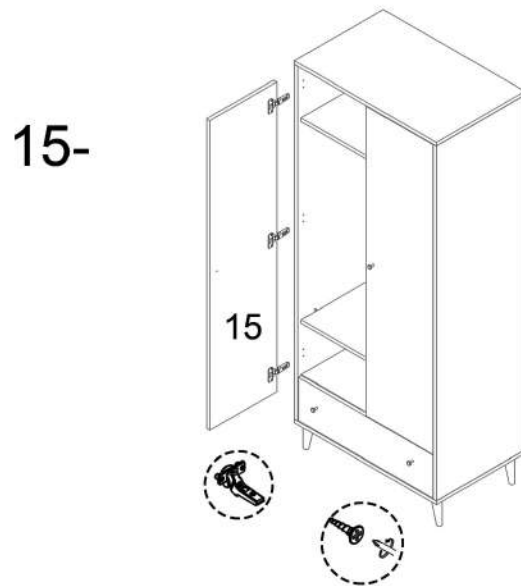
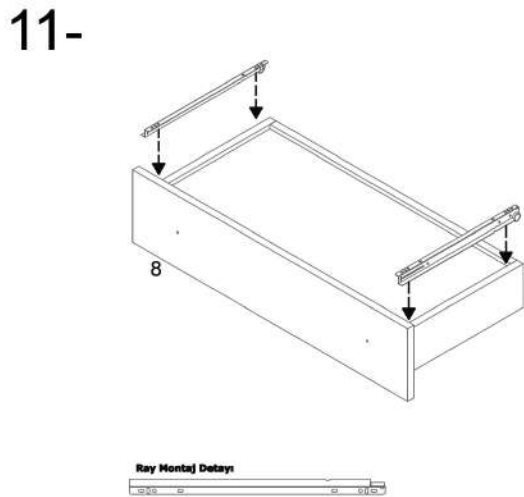
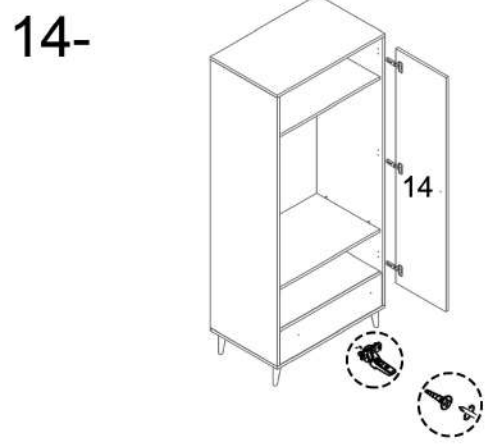
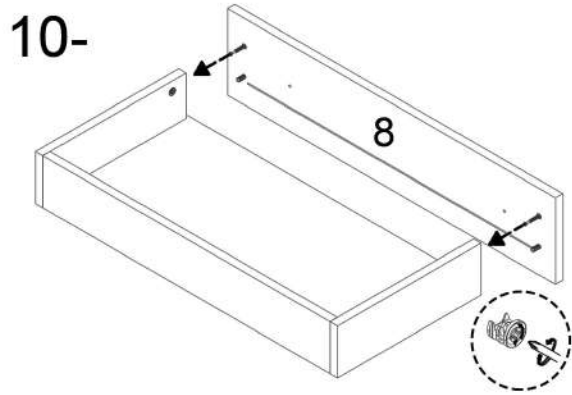


ACCESSORIES LIST



PART NUMBER	PART NAME	NUMBER OF PIECES
1	Right Side Table	1
2	Left Side Table	1
3	Top Tray	1
4	Bottom Table	1
5	Fixed Rack	1
6	Top Fixed Shelf	1
7	Mobile shelf	1
8	Drawer Clasp	1
9	Drawer Right Side	1
10	Drawer Left Side	1
11	Drawer Back	1
12	Drawer Base	1
13	Backrest	2
14	Right Cover	1
15	Left Cover	1





YOU HAVE COMPLETED THE PRODUCT INSTALLATION.