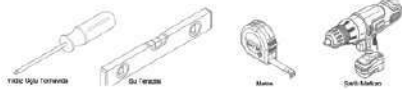


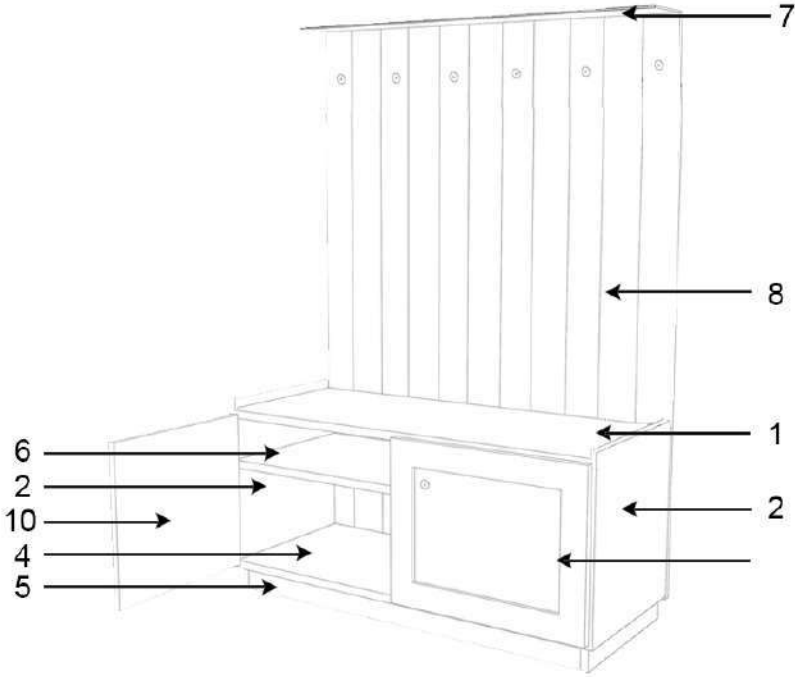
MATERIAL REQUIRED FOR INSTALLATION



ACCESSORIES LIST



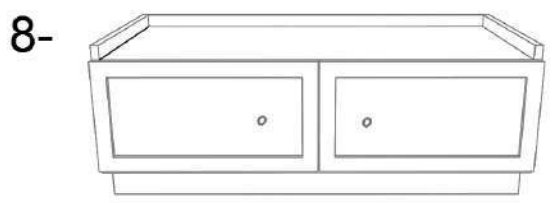
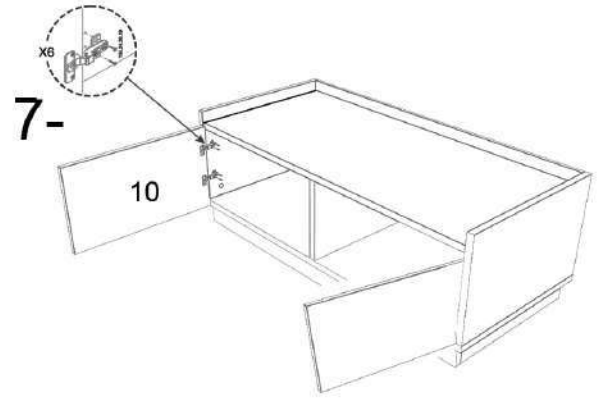
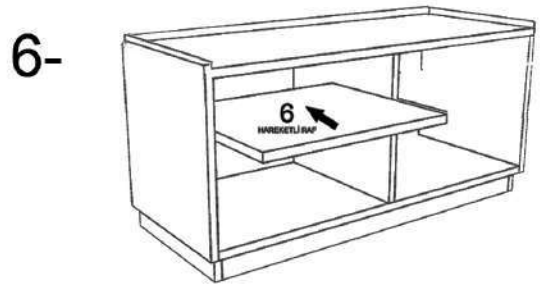
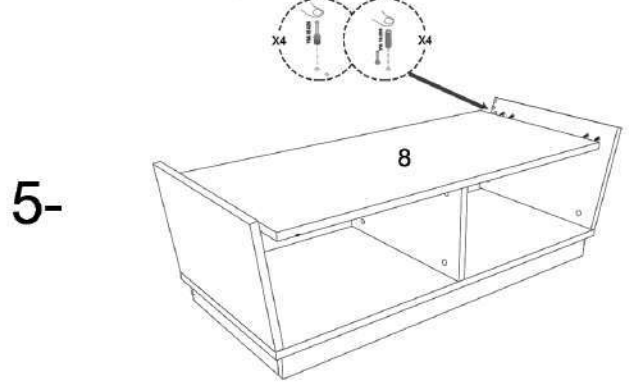
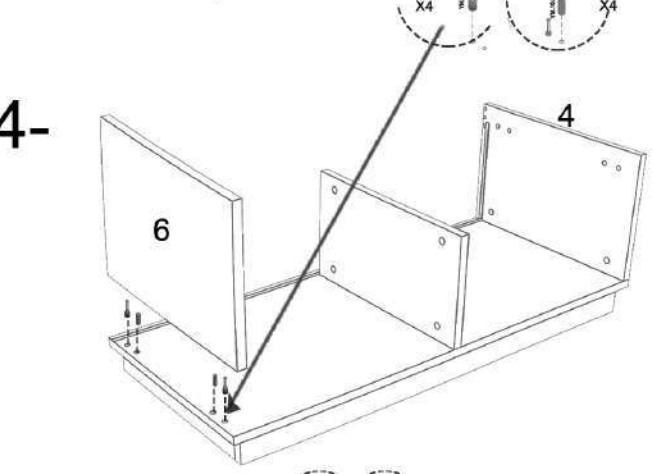
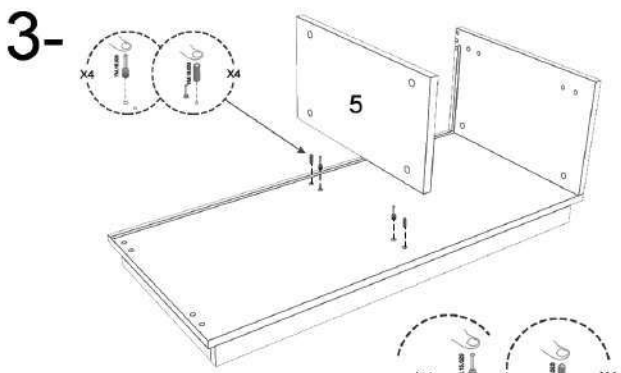
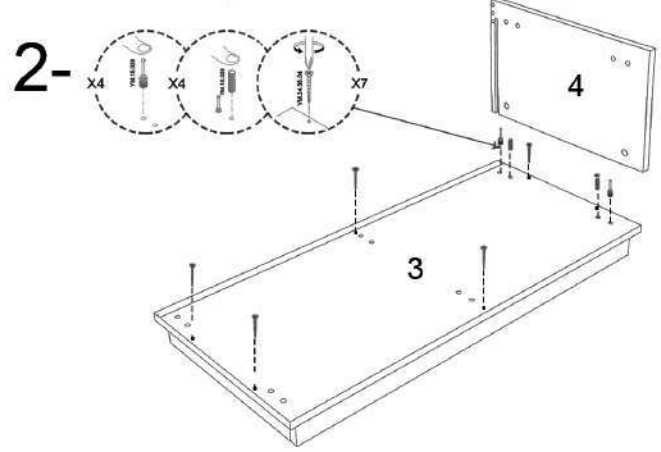
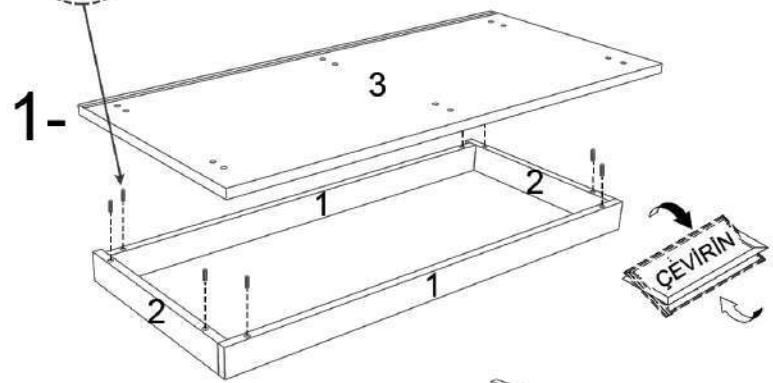
Part Detail



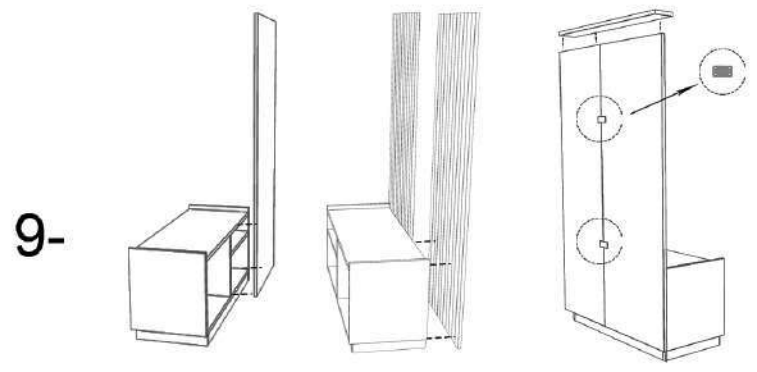
HENRY CABINET PANEL SHOES



Note: the bottom base (number 3) must be turned over and dowels must be attached.



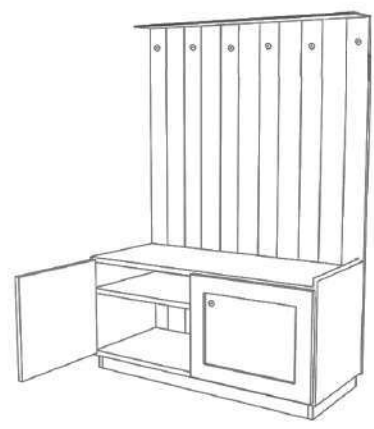
Handles must be attached.



Stage 1: One of the long panels should be installed as shown.

2nd stage: The other long panel figure should be installed as shown.

3rd stage: iron joining apparatus and crown must be attached.



YOU HAVE COMPLETED THE PRODUCT INSTALLATION.