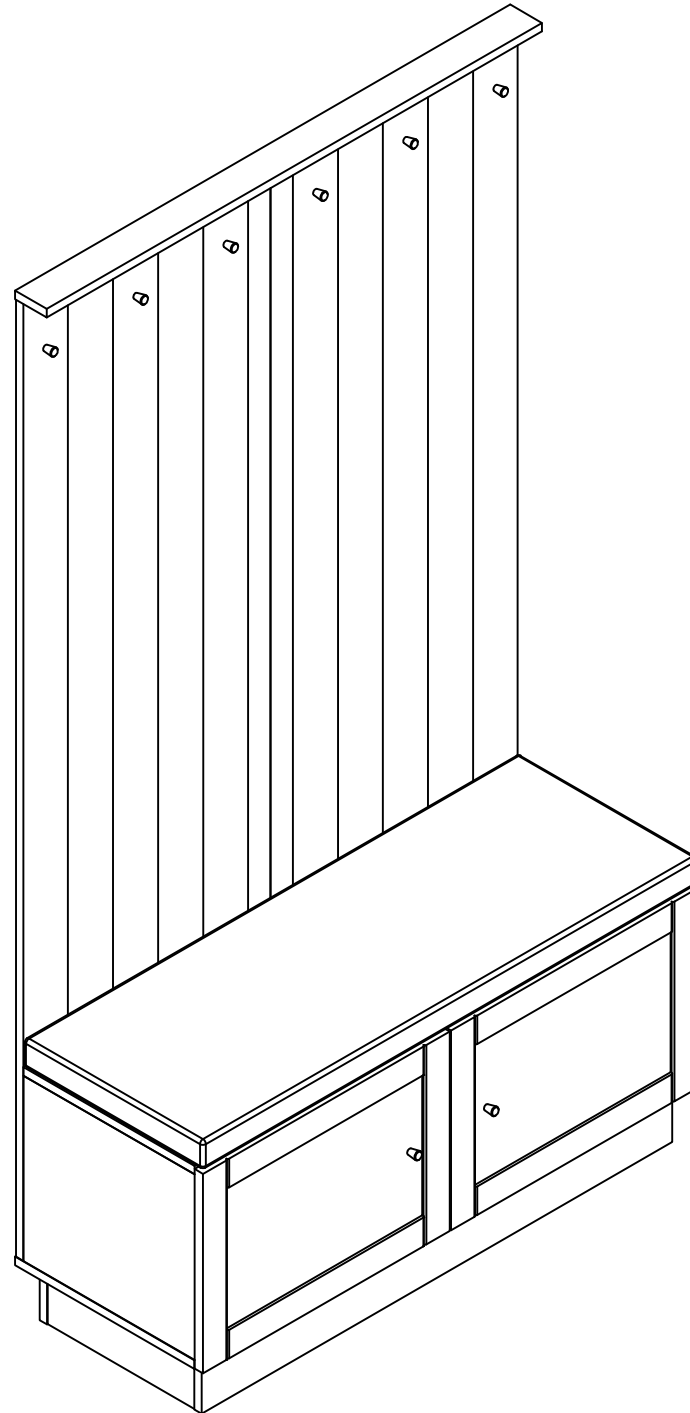
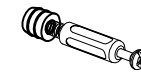
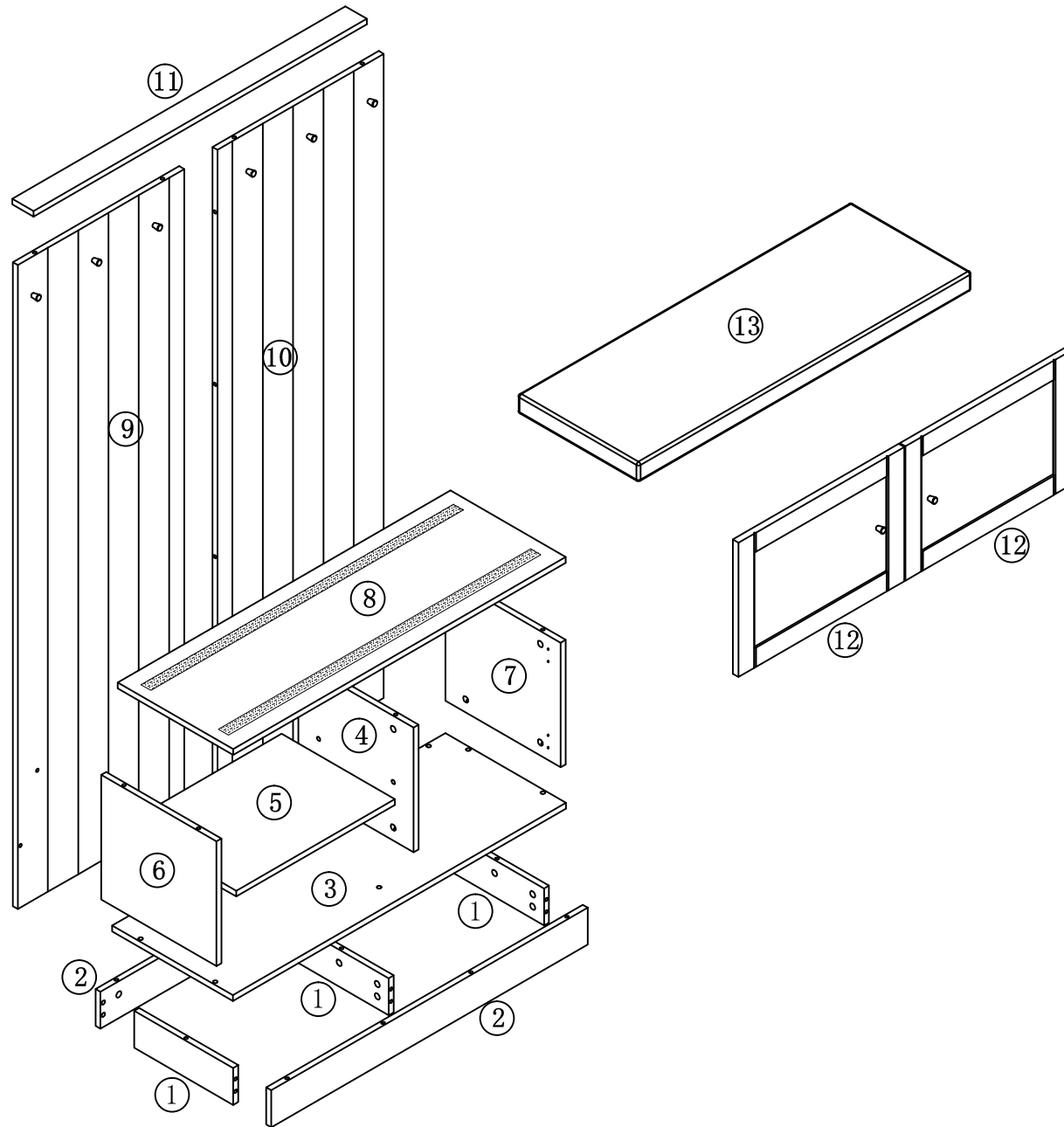


748# 755#
SHOE CABINET
ASSEMBLY INSTRUCTIONS



Product Breakdown Diagram

Hardware Details



A=47



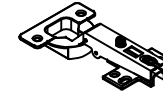
B=47



C=4



D=6



E=4



F=8



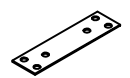
(M4*18)

G1=6



(M4*15)

G2=6



H=2



(M3.5*14)

I=36

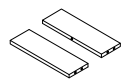


J=9



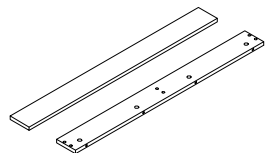
K=1

①



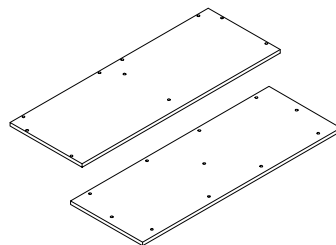
297*96*15=3PCS

②



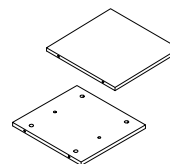
950*96*15=2PCS

③



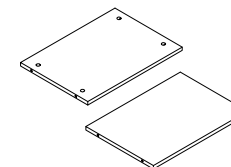
1000*362*15=1PC

④



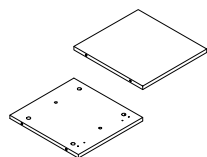
325*346*15=1PC

⑤



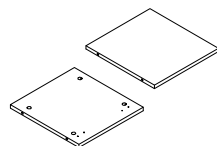
476*340*15=1PC

⑥



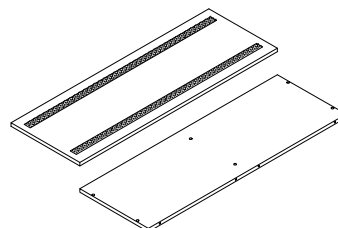
325*346*15=1PC

⑦



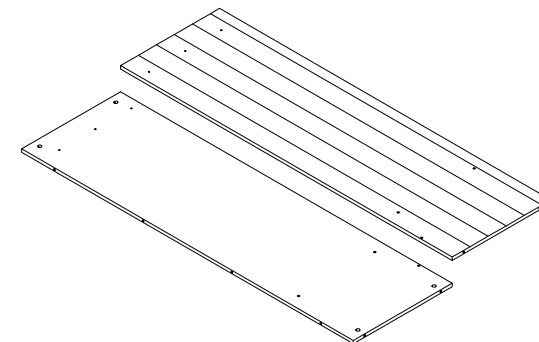
325*346*15=1PC

⑧



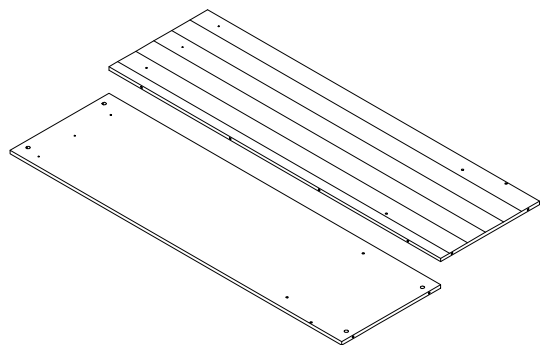
1000*346*15=1PC

⑨



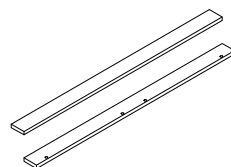
1674*499*15=1PC

⑩



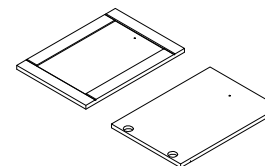
1674*499*15=1PC

⑪



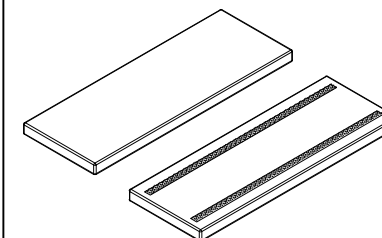
1000*64*15=1PC

⑫



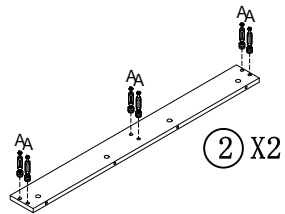
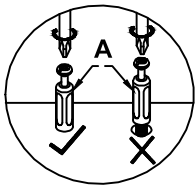
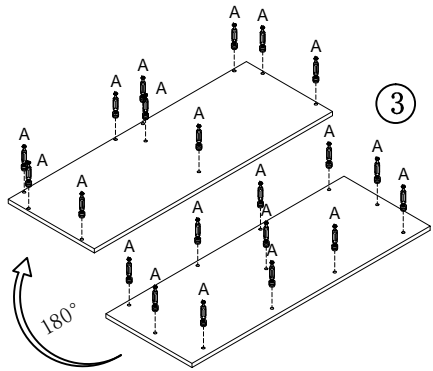
350*498*17=2PCS

⑬



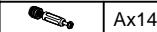
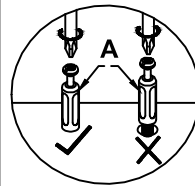
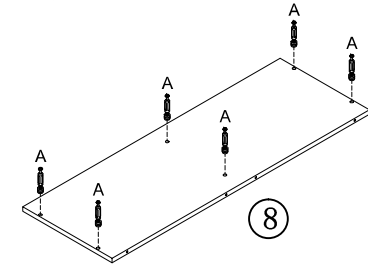
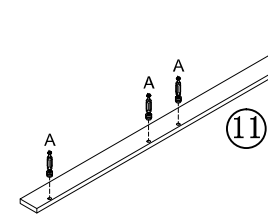
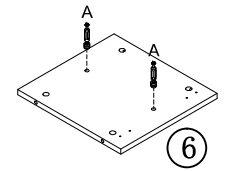
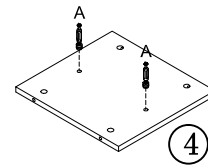
1000*363*50=1PC

STEP 1



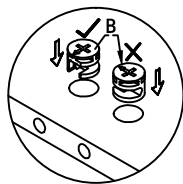
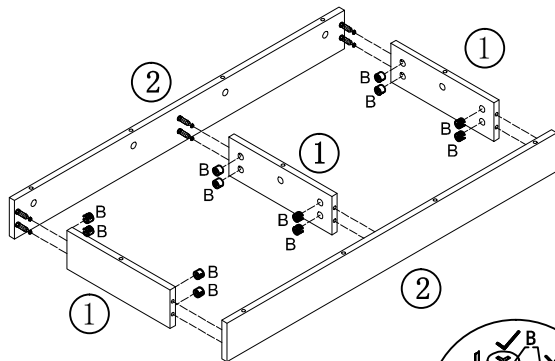
Ax33

STEP 2



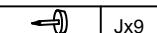
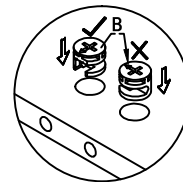
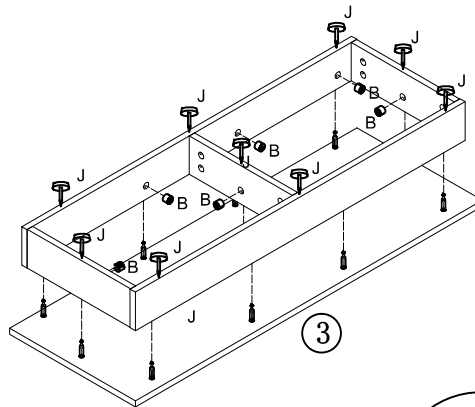
Ax14

STEP 3

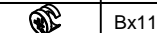


Bx12

STEP 4

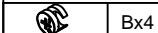
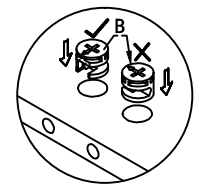
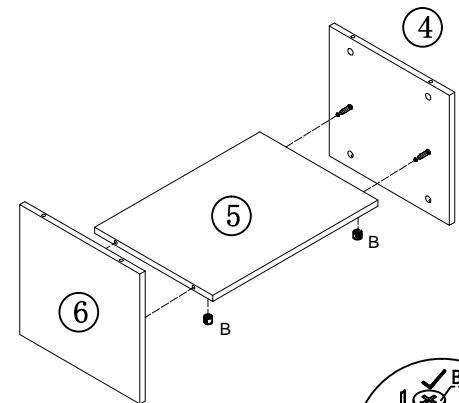


Jx9



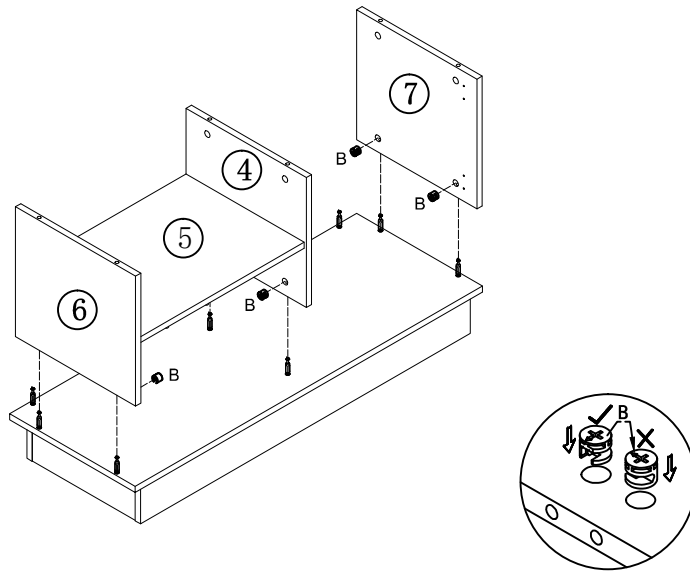
Bx11

STEP 5

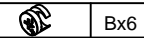
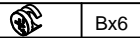
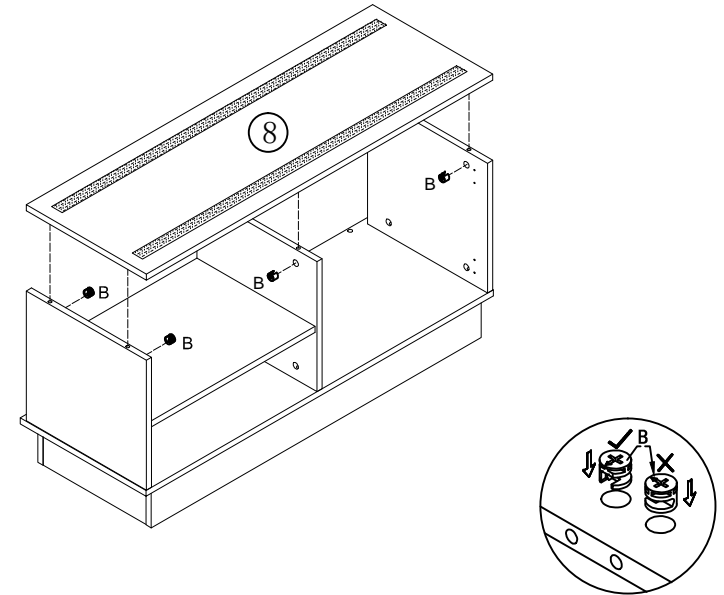


Bx4

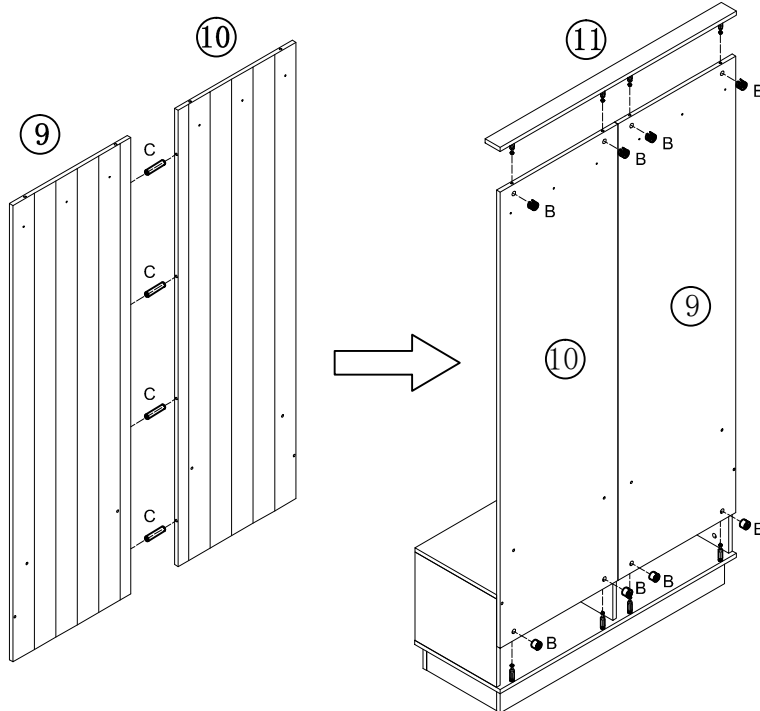
STEP 6



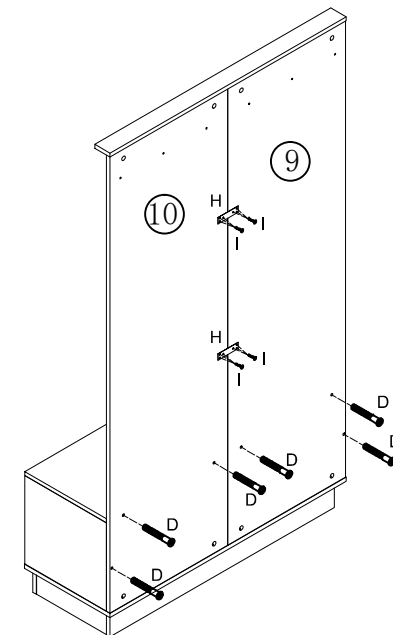
STEP 6



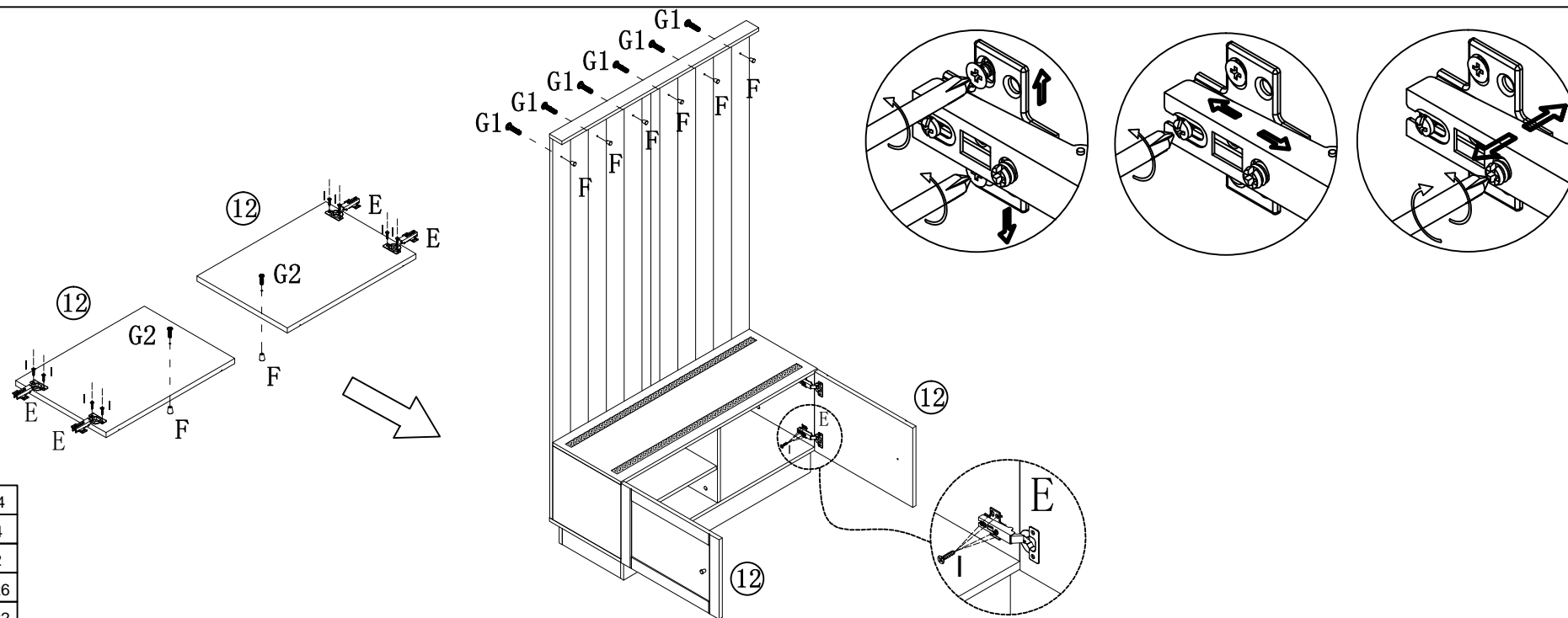
STEP 8



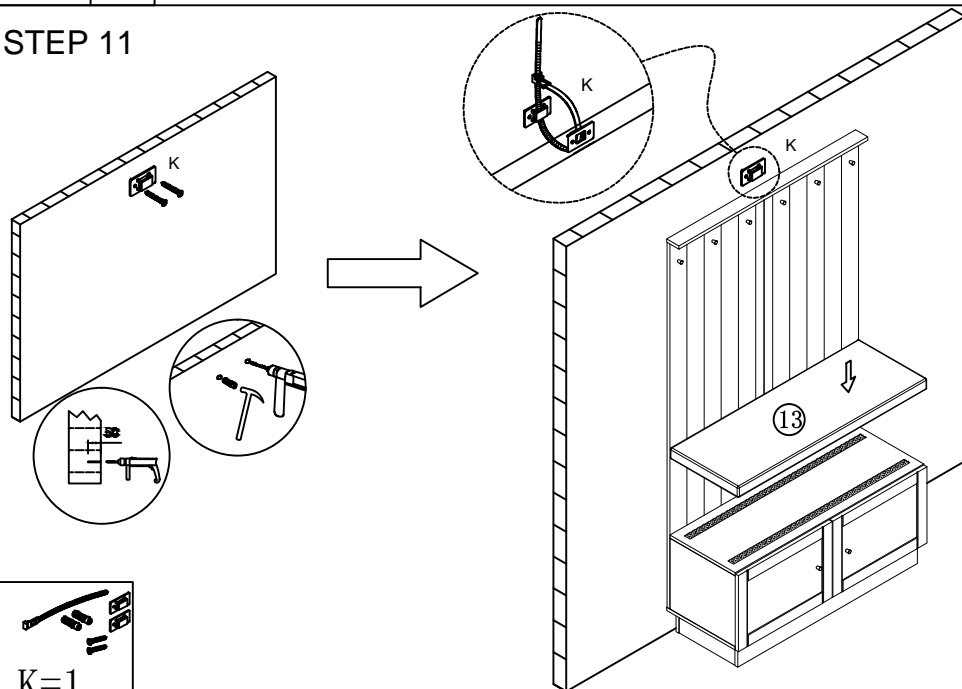
STEP 9



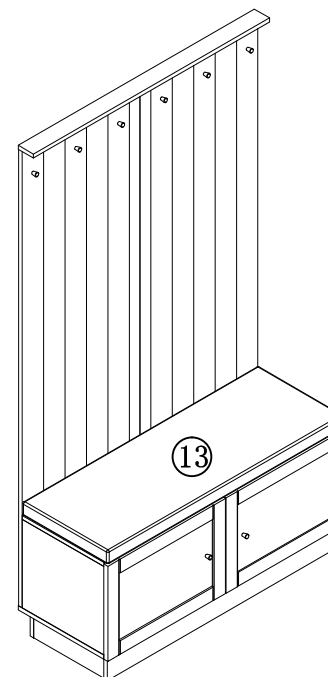
STEP 10



STEP 11



STEP 12



K=1