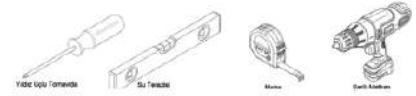
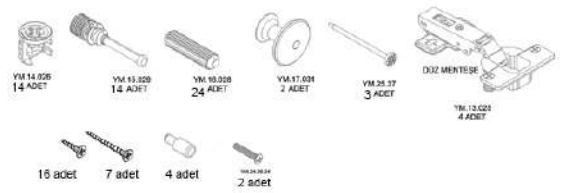


# HENRY MIDI PORTMANTO

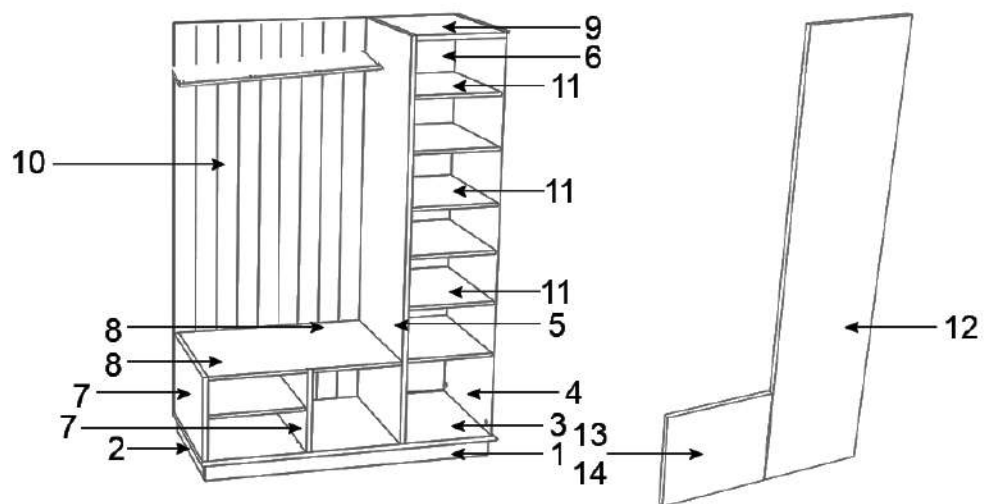
## MATERIAL REQUIRED FOR INSTALLATION

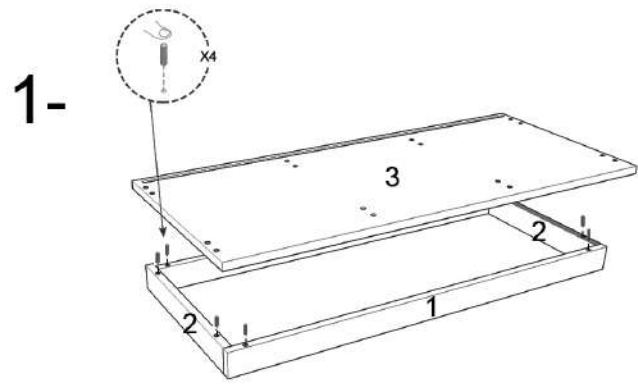


## ACCESSORIES LIST

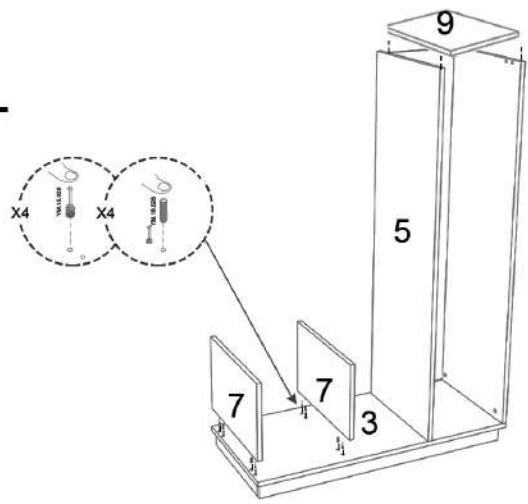


## PART NUMBERING

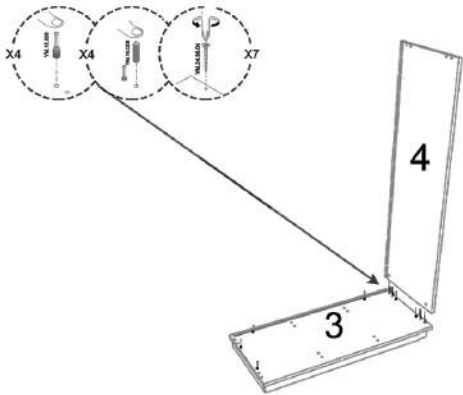




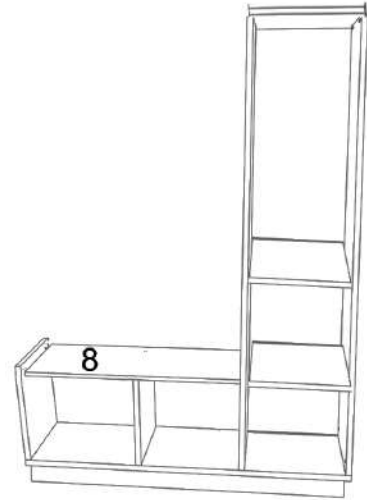
5-



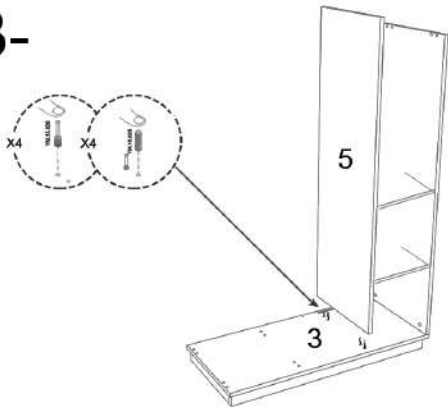
2-



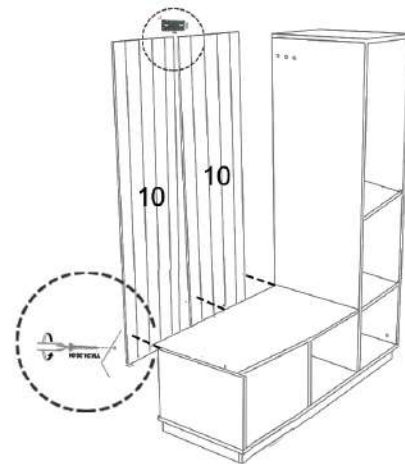
6-



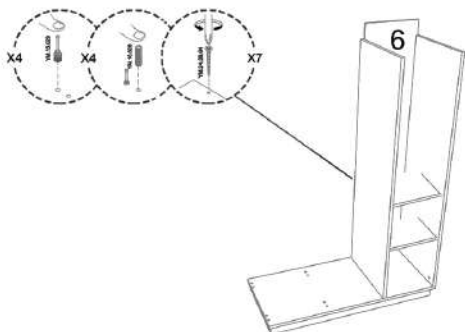
3-



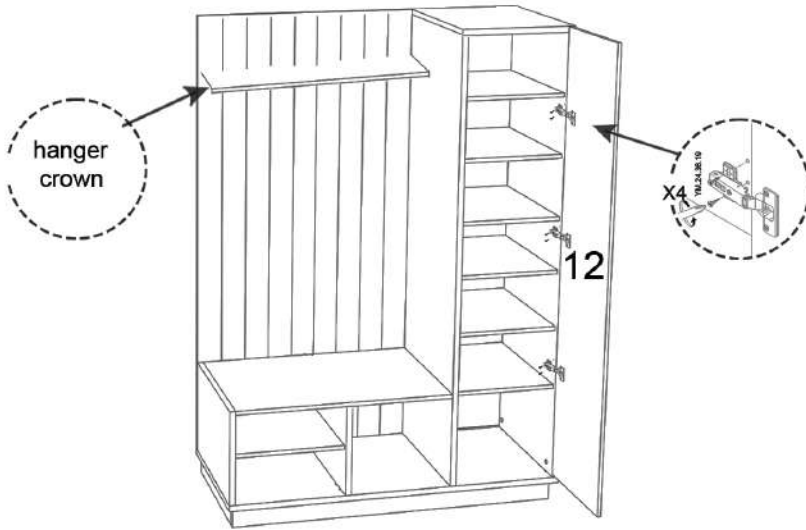
7-



4-

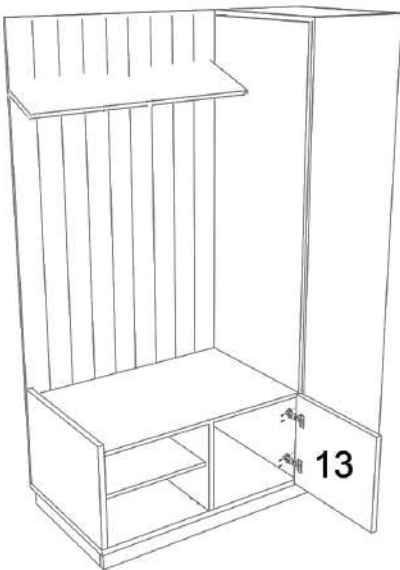


8-



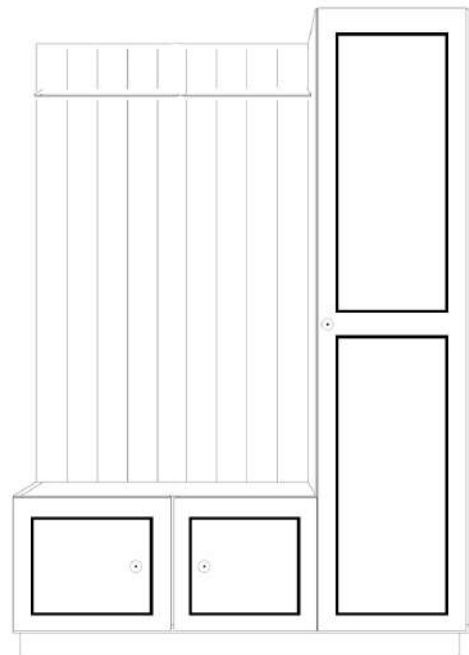
After the movable shelves are installed, the hinges must be attached to the door. Then the cover should be assembled as in the figure.  
-The hanging crown must be attached.

9-



The hinges of the doors number 13 must be connected to the door. Then the covers should be joined as shown in the figure.

10-



YOU HAVE COMPLETED THE PRODUCT INSTALLATION.