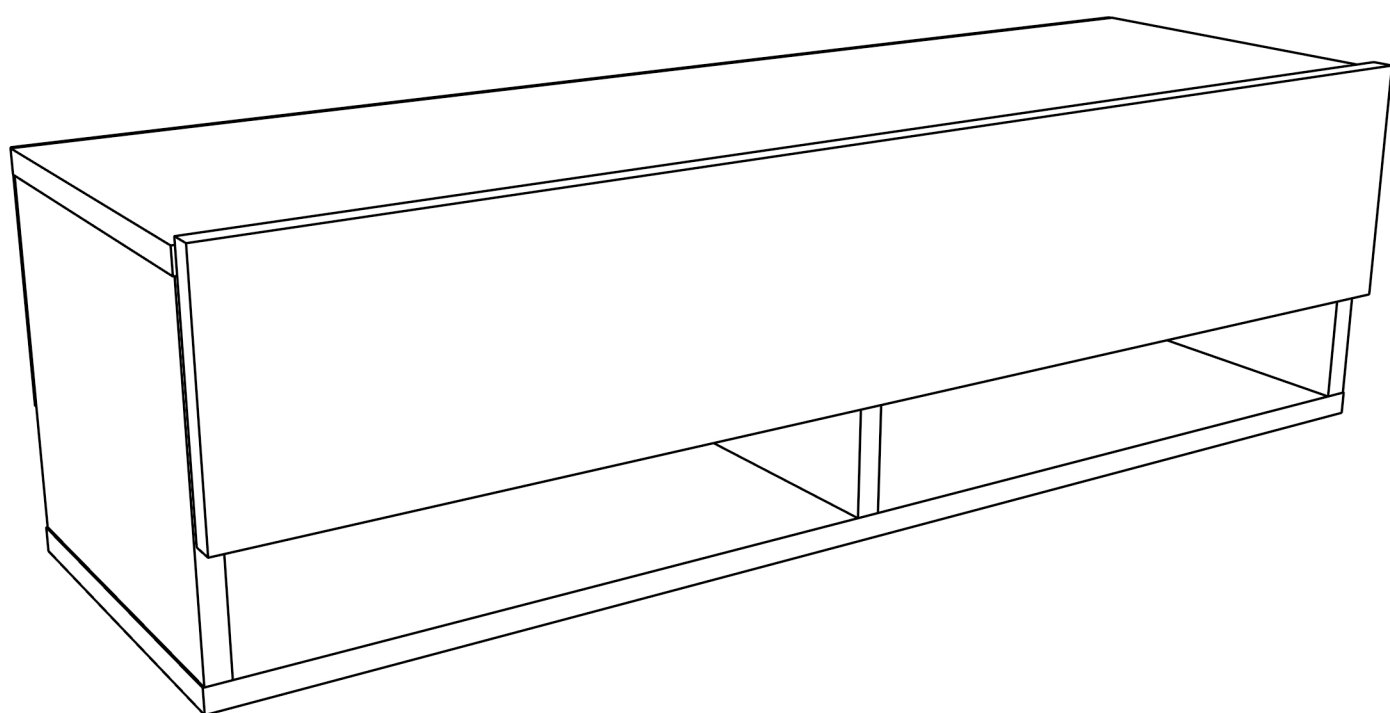
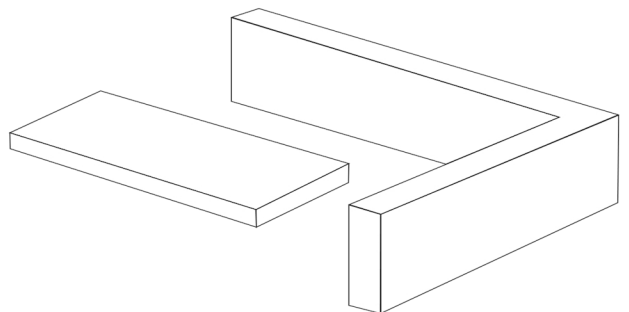
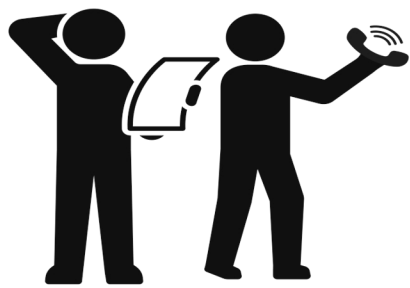
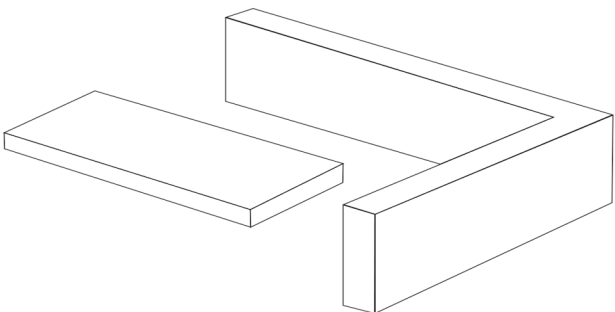
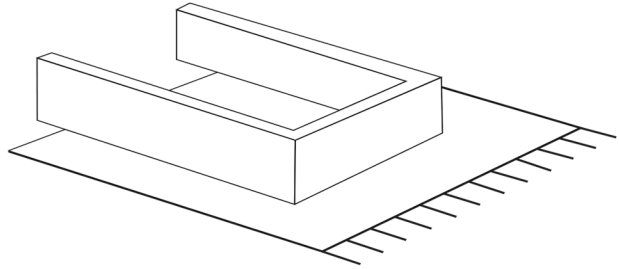
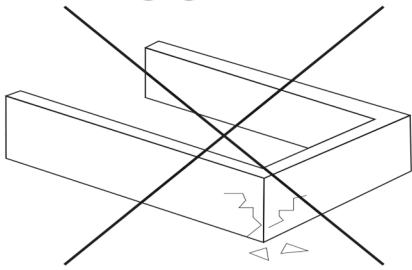
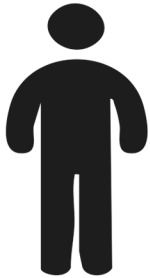
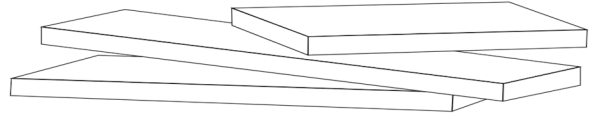
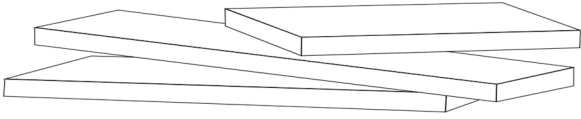
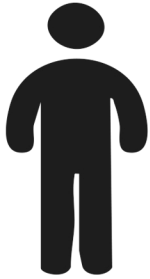


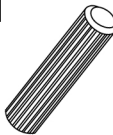


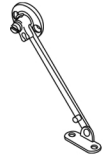

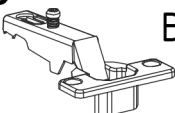
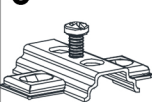
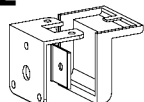
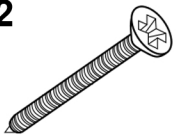
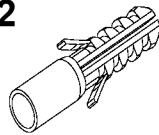
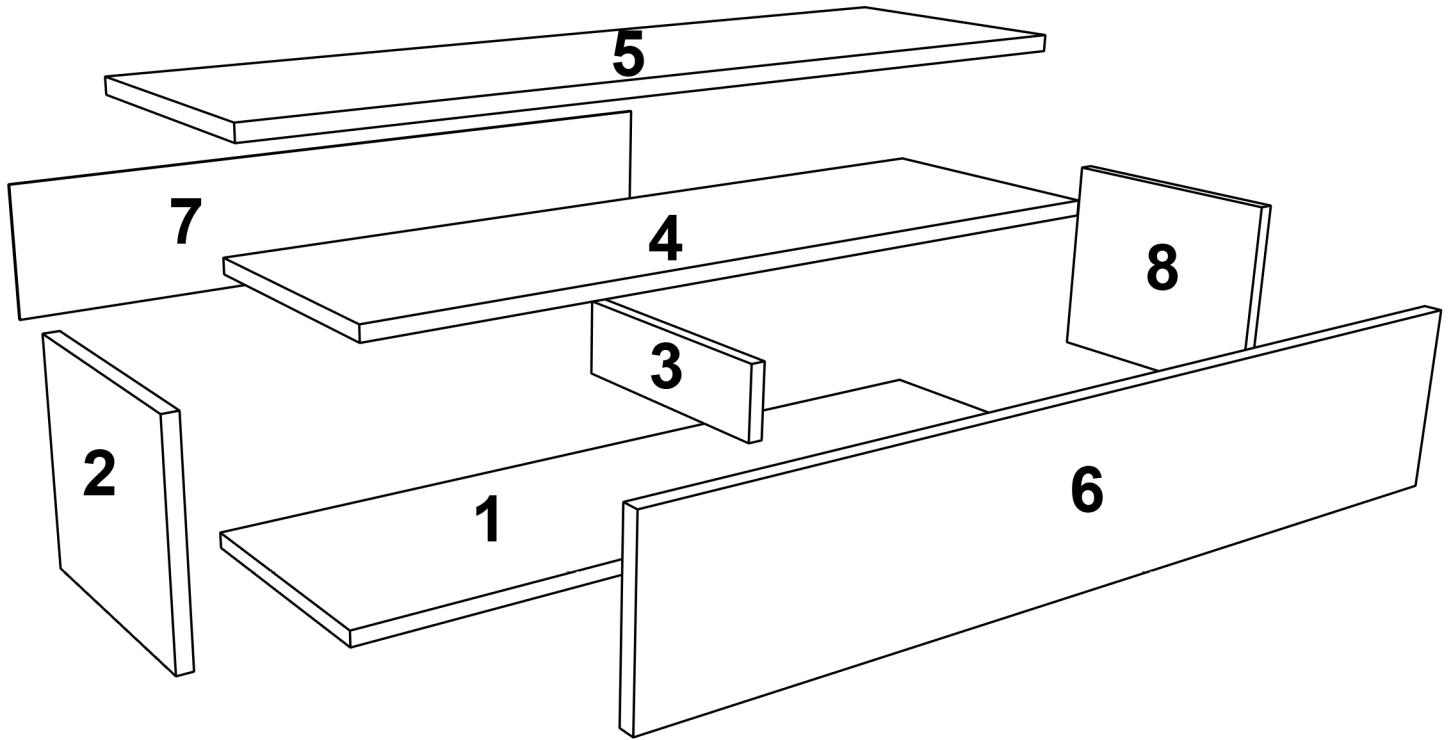


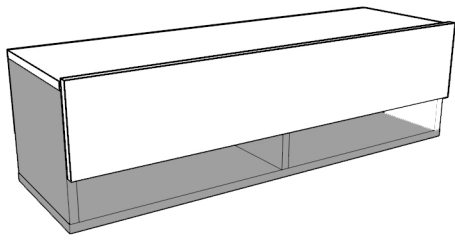
FR13





1  B0501 x12	1  B0502 x12	1  B0503 x16	1  B0504 x12	2  B0301 x26
P  B1102 x2	2  B0318 x10	3  B0101 x2	3  B0105 x2	2  B1303 x5
2  B0306 x5	2  B0317 x5			





B0502



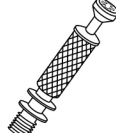
x4

B0503



x8

B0504

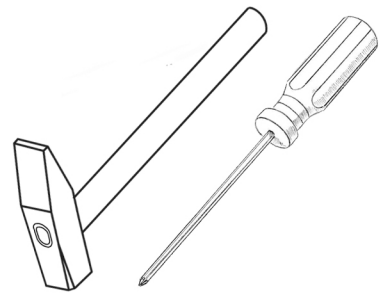


x4

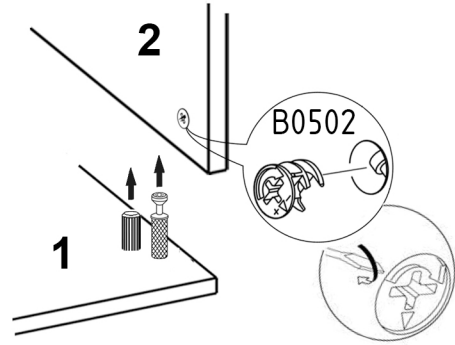
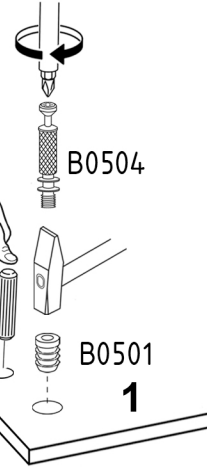
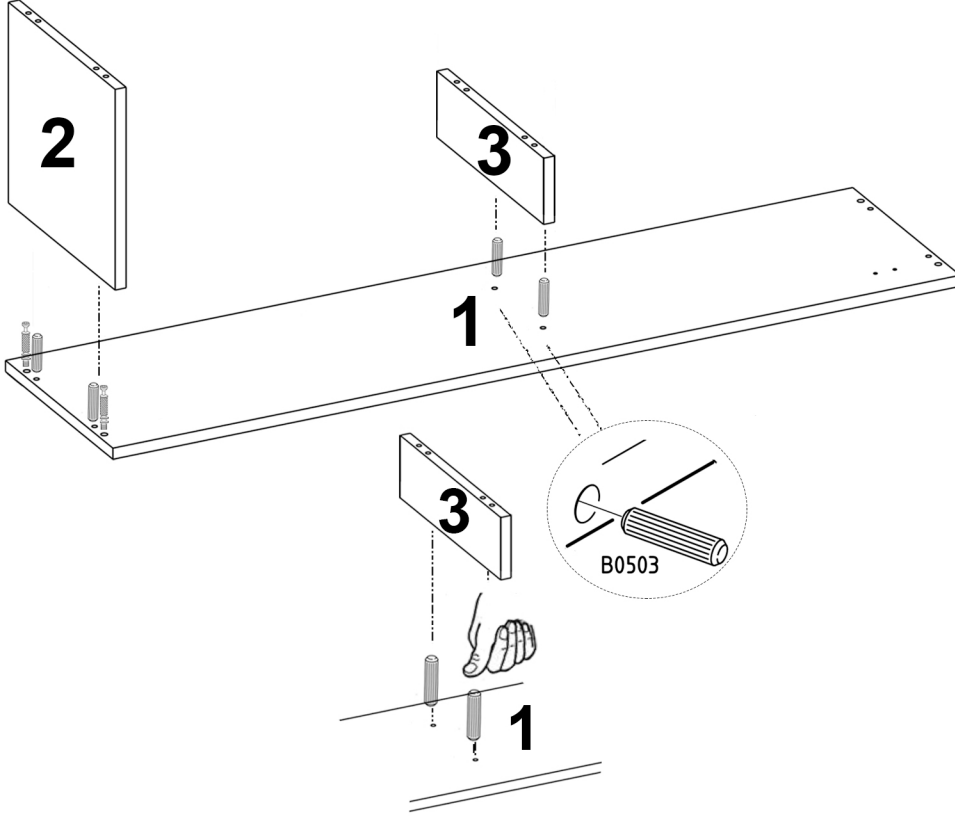
B0501



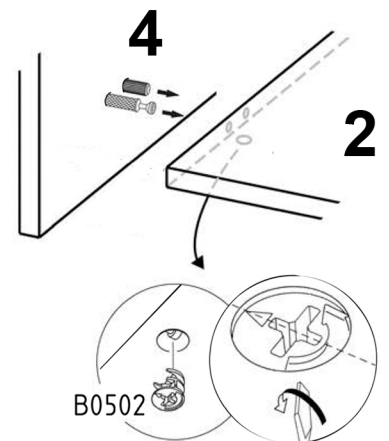
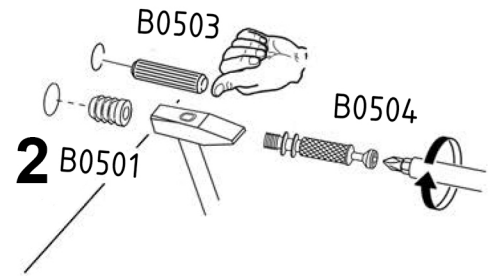
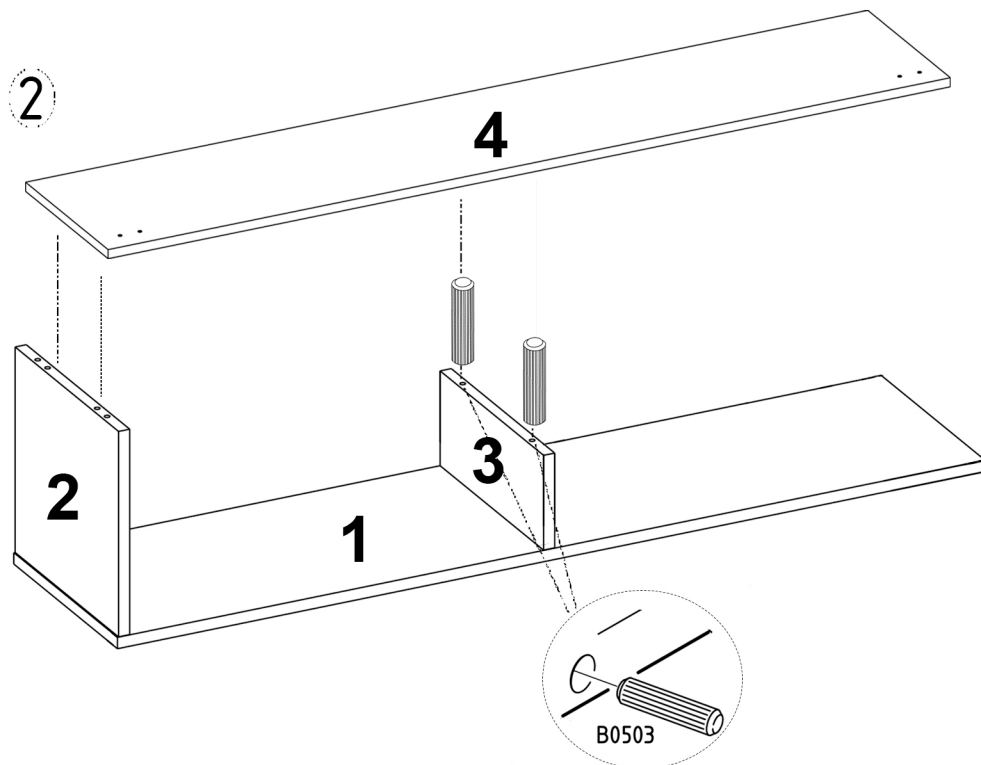
x4



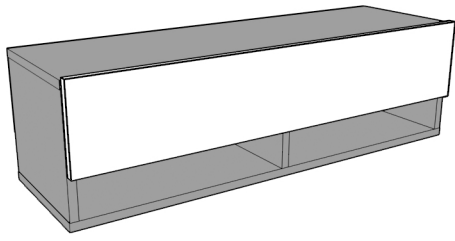
1



2



3

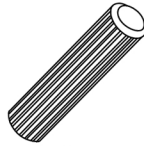


B0502



x8

B0503



x8

B0504

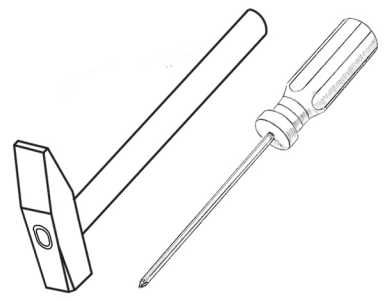


x8

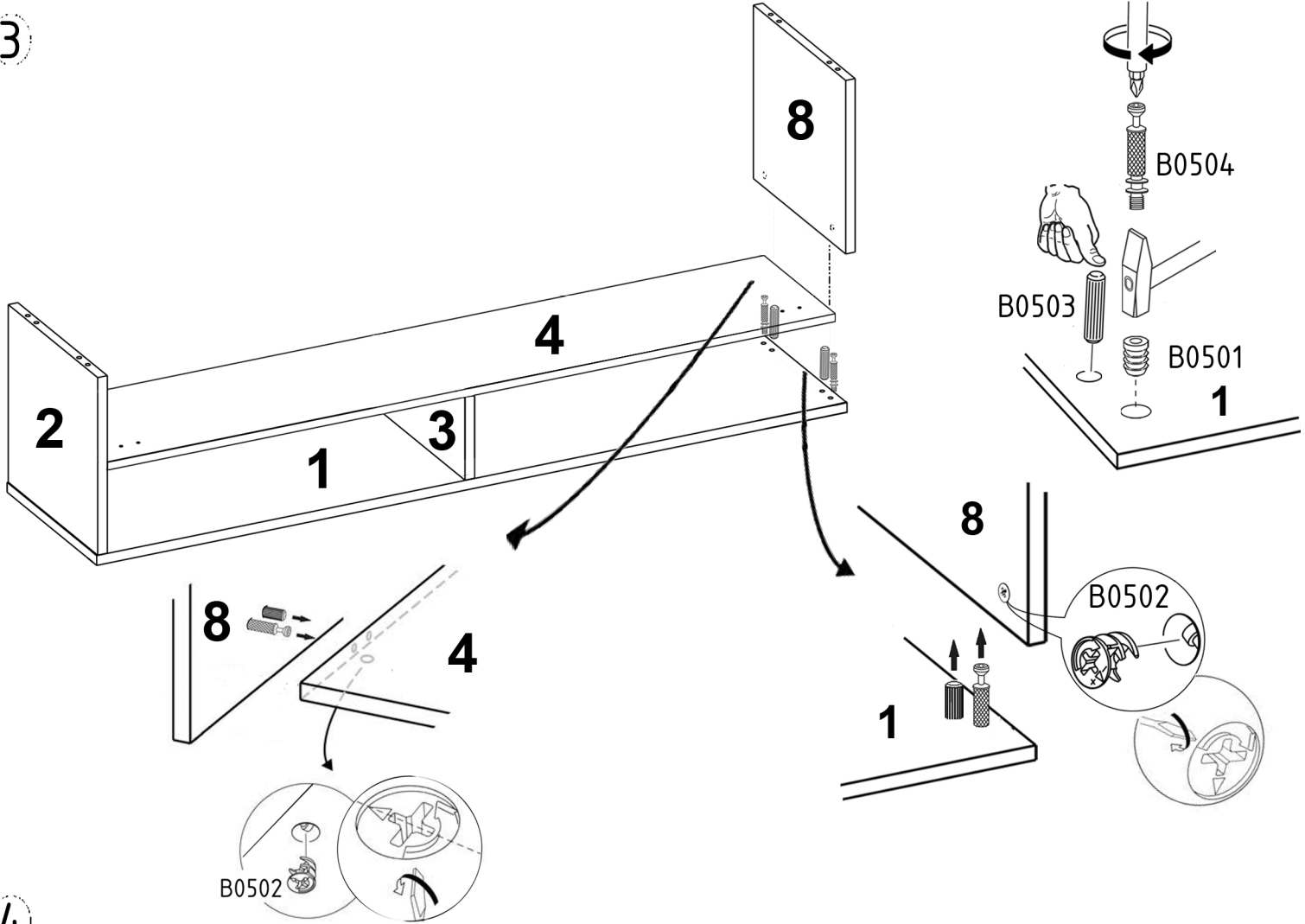
B0501



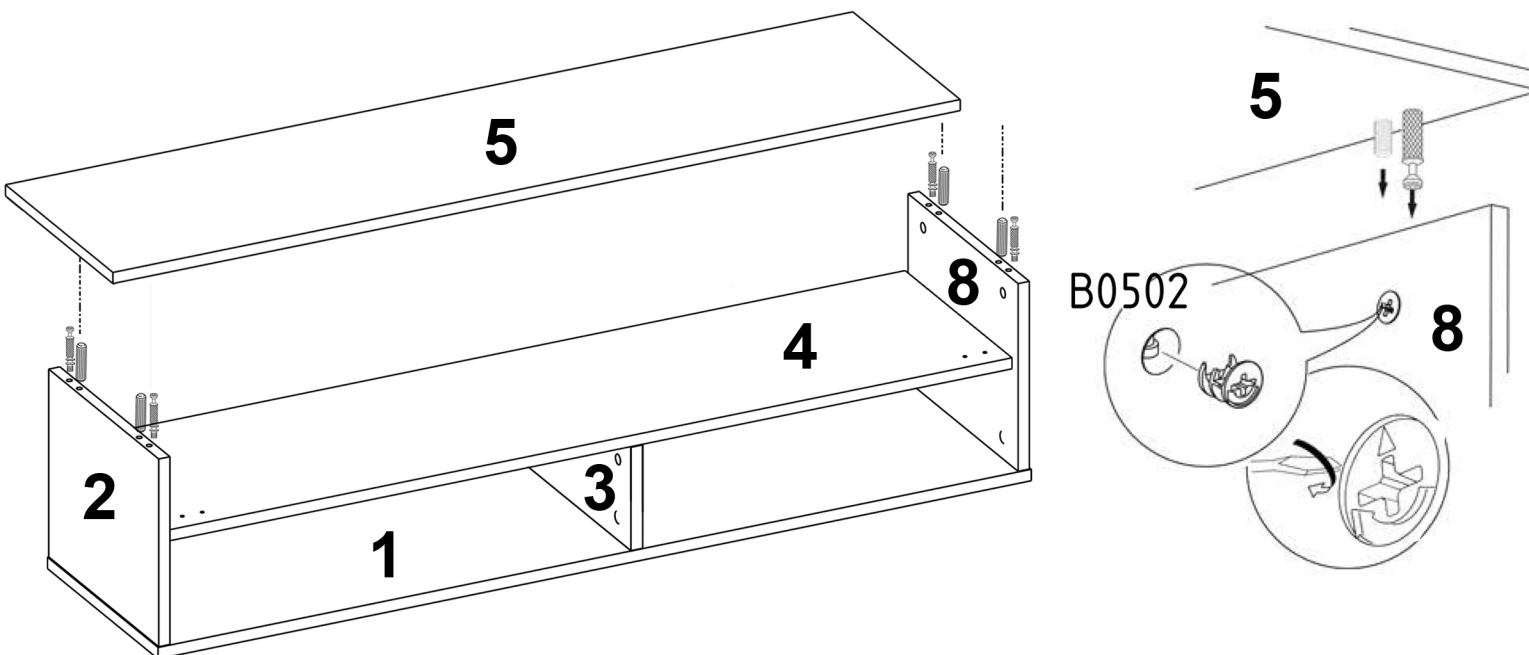
x8



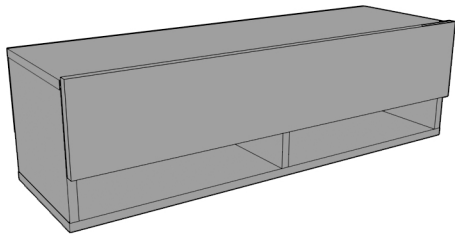
3



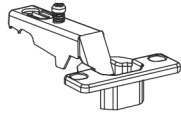
4



4

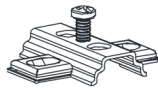


B0101



x2

B0105



x2

B0301

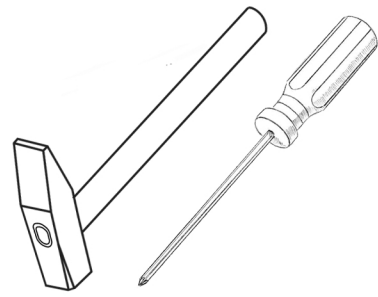


x16

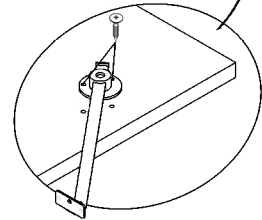
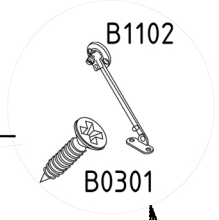
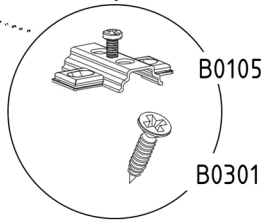
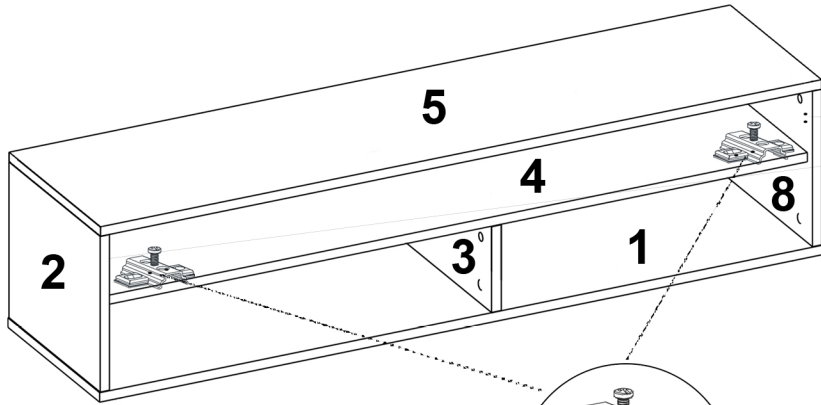
B1102



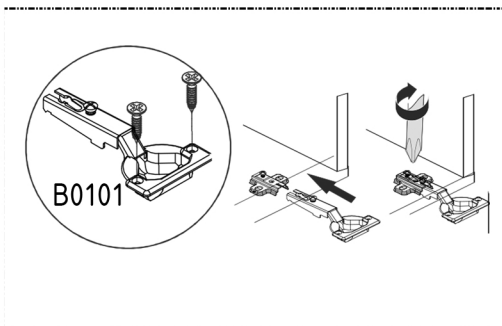
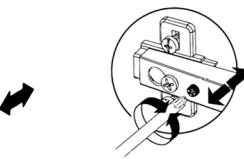
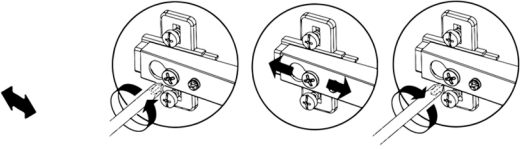
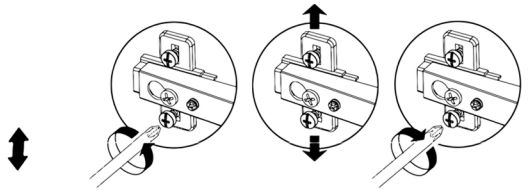
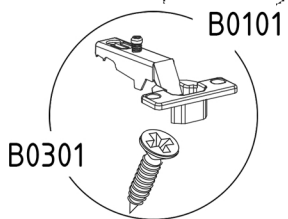
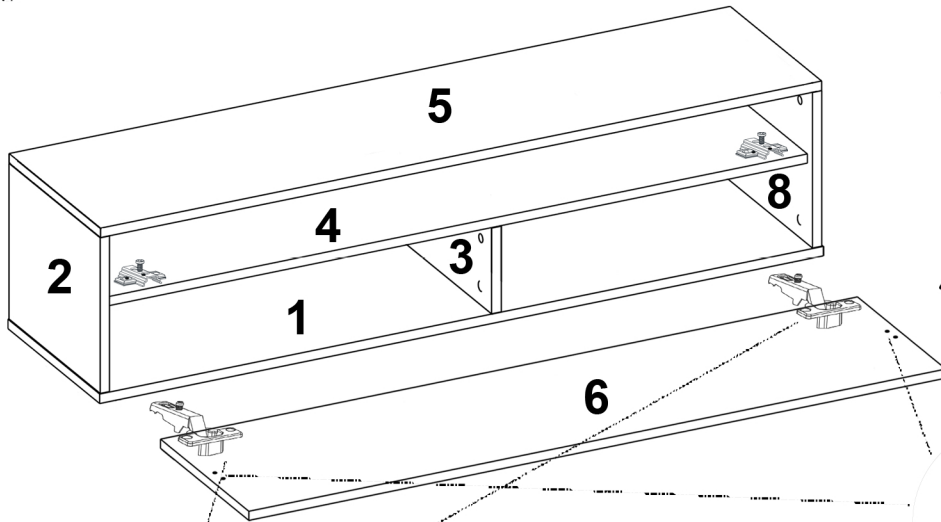
x2



5



6



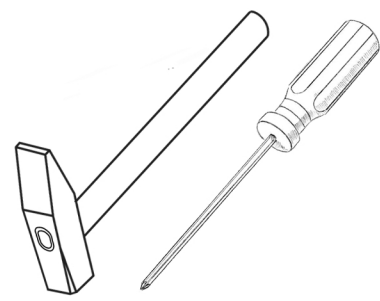
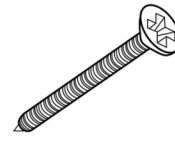
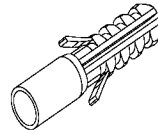
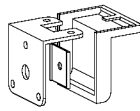


B1303

B0317

B0301

B0306



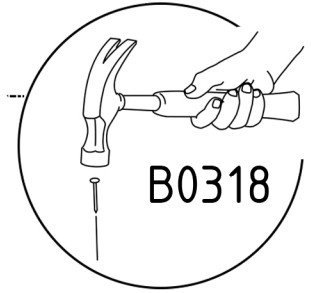
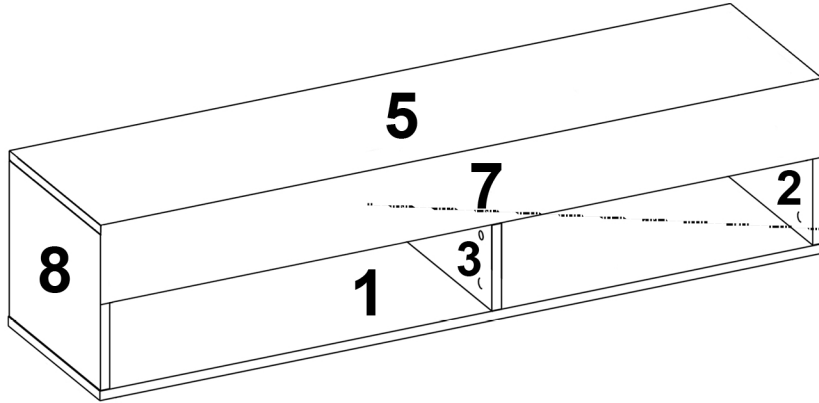
x5

x5

x10

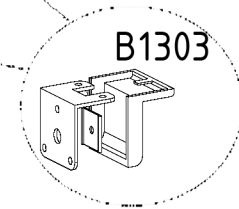
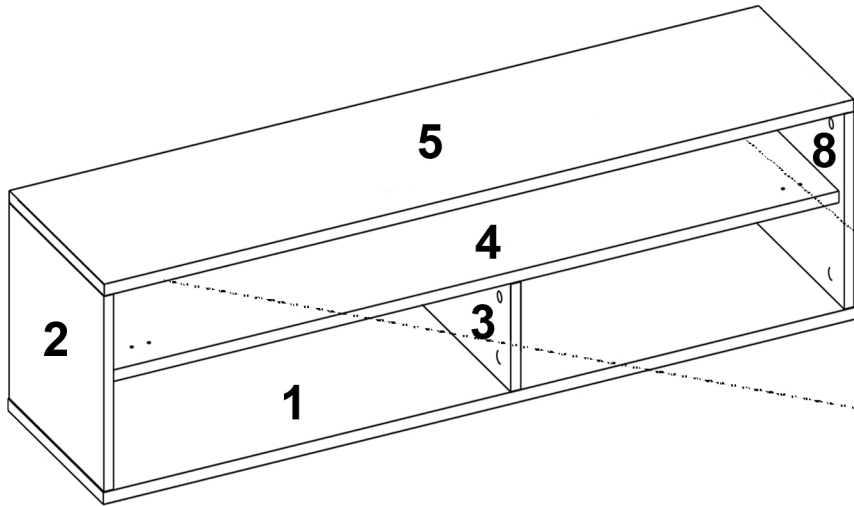
x5

7

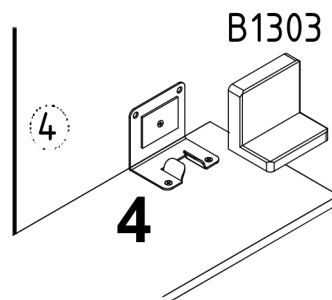
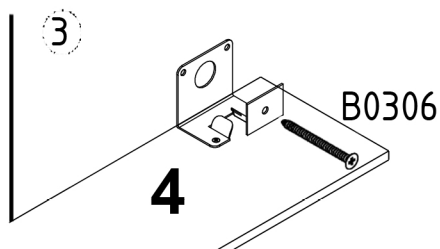
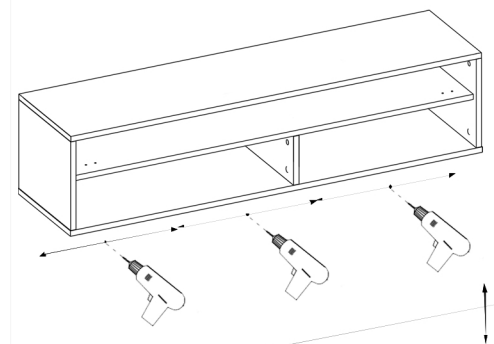
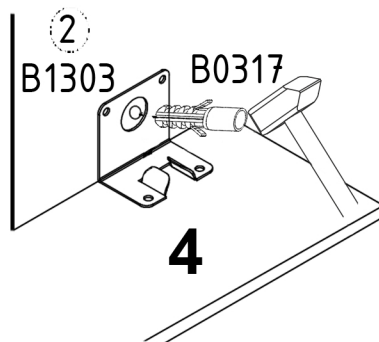
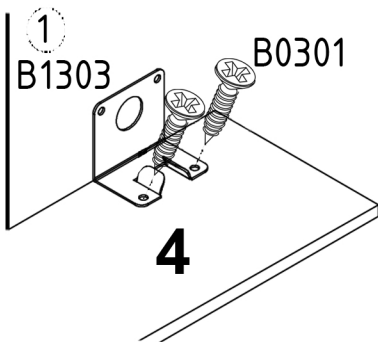


B0318

8



B1303



6