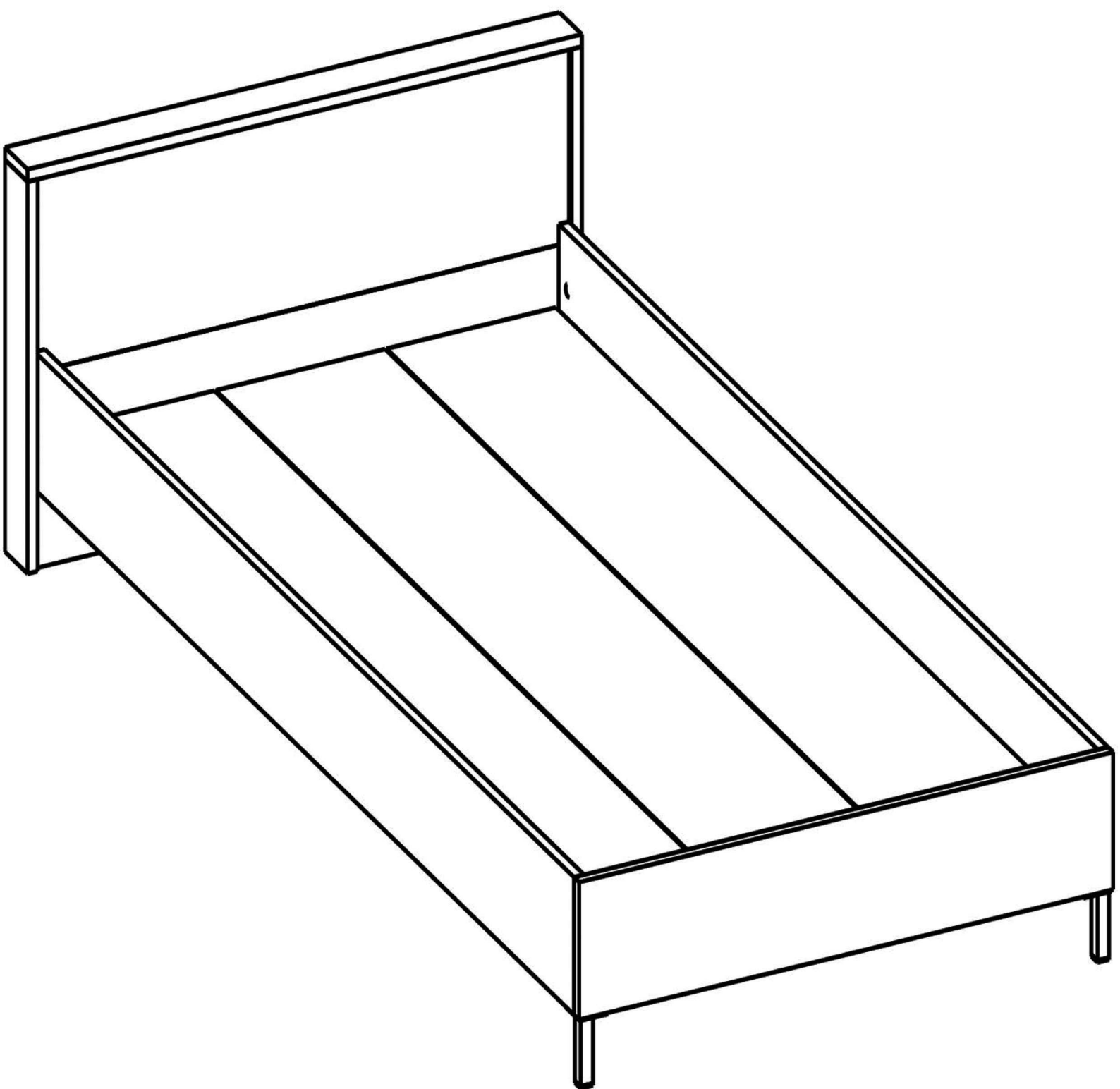
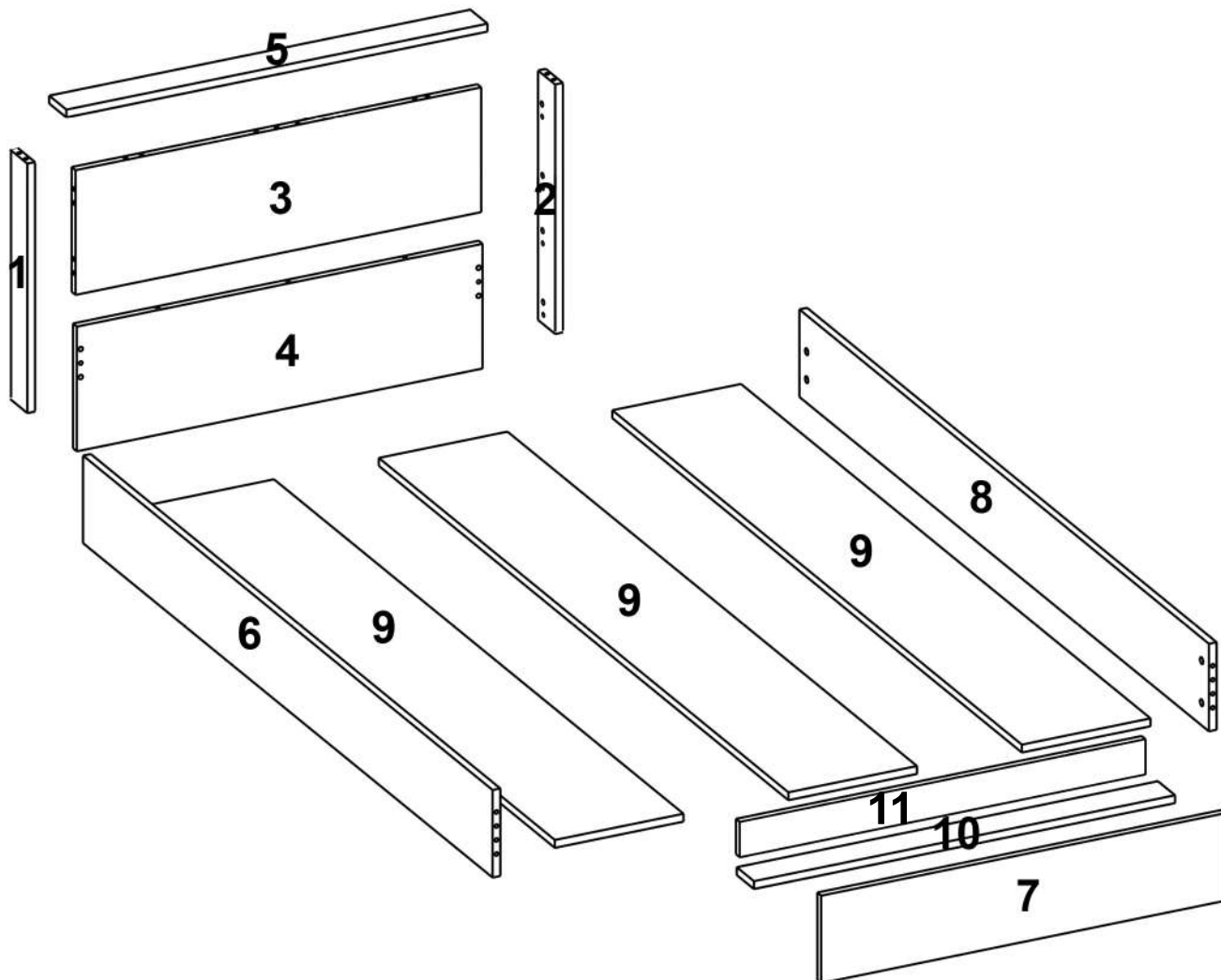












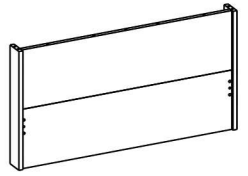


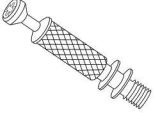




HM4

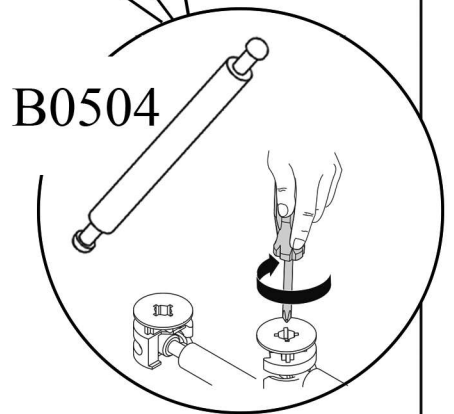
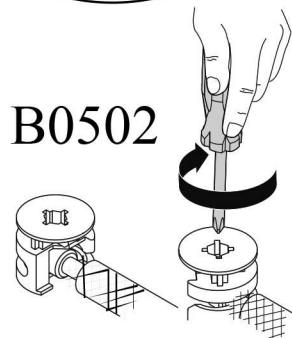
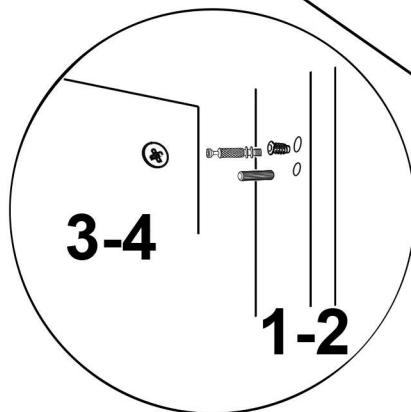
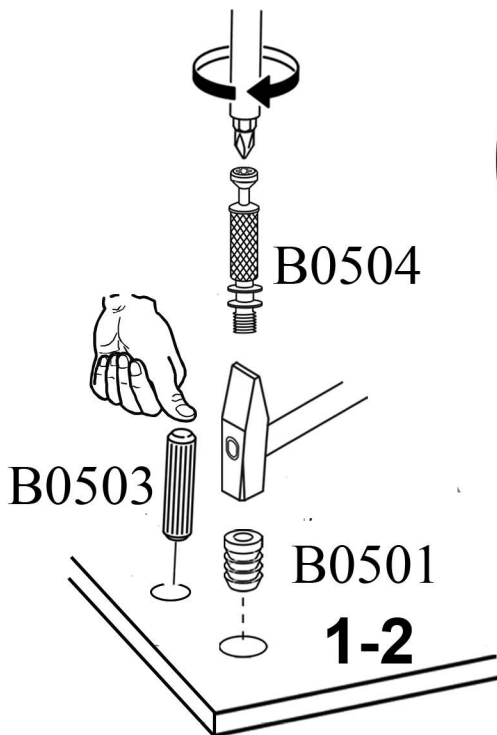
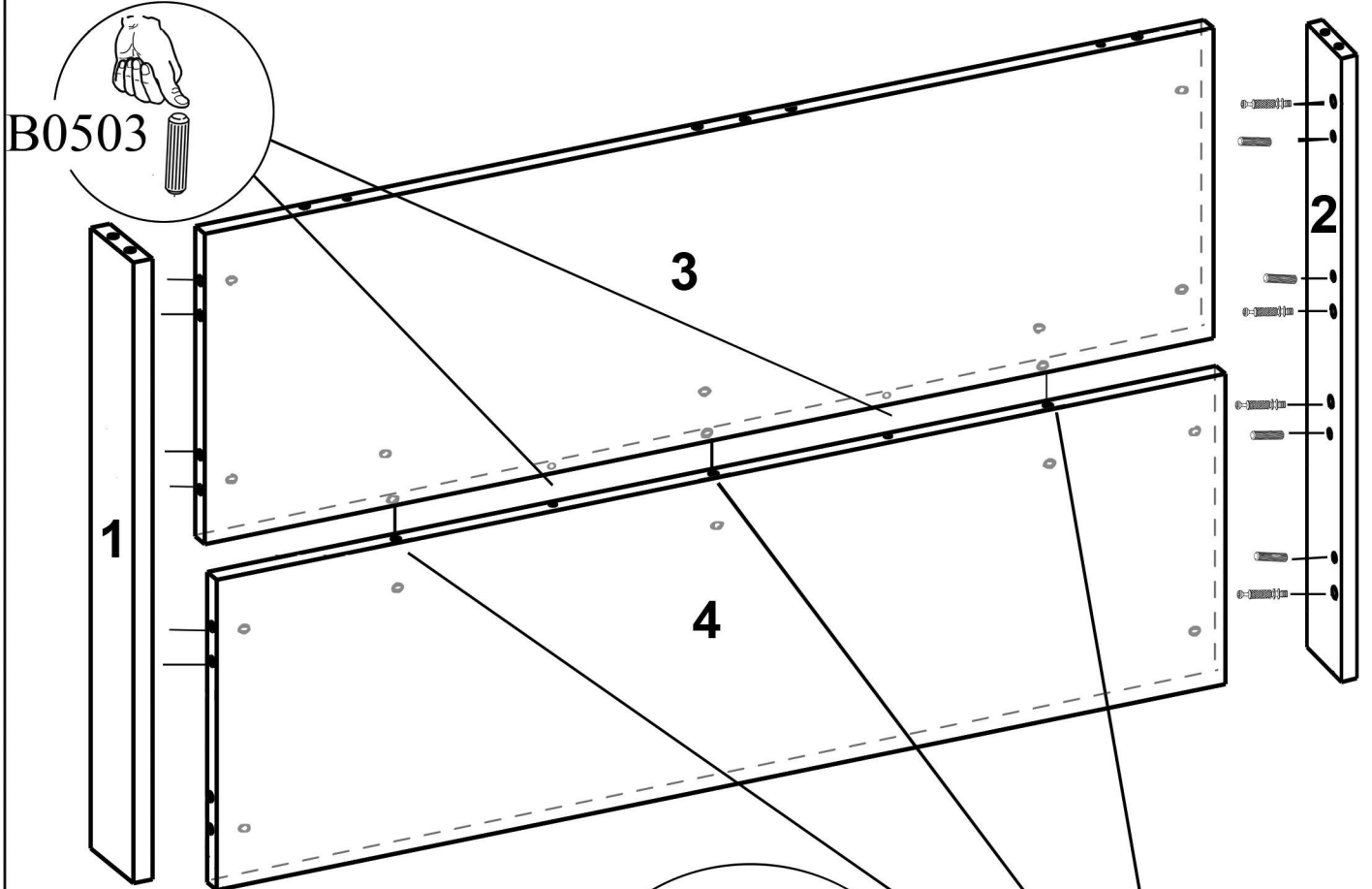


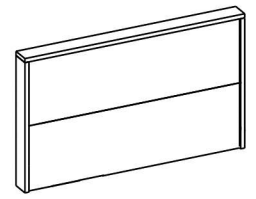



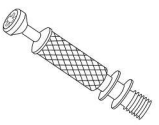


					
28x B0502	23x B0504	26x B0503	2x D0154	12x B0309	3x D0501
					
6x B0301	35x B0501	2x B1702	3x B0505	4x B0303	3x B0304

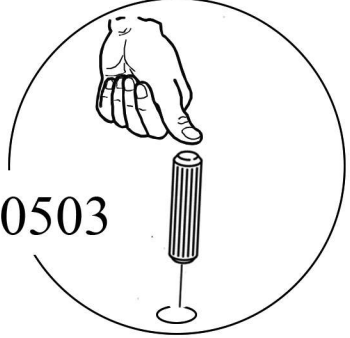
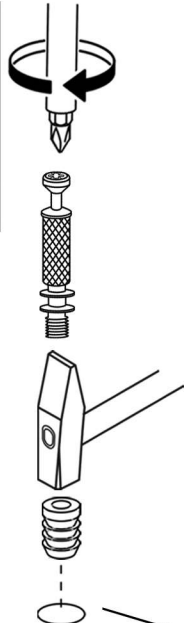


 8x B0504	 10x B0503	 8x B0501	 14x B0502	 3x B0505
-----------------------------------------------------------------------------------------------	------------------------------------------------------------------------------------------------	-----------------------------------------------------------------------------------------------	------------------------------------------------------------------------------------------------	-------------------------------------------------------------------------------------------------

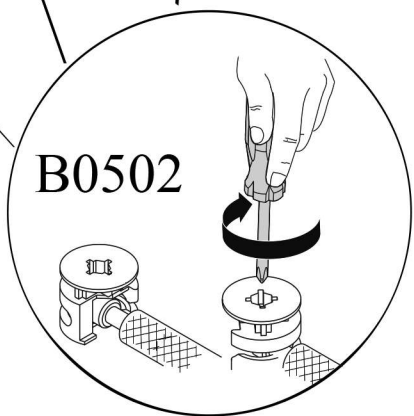
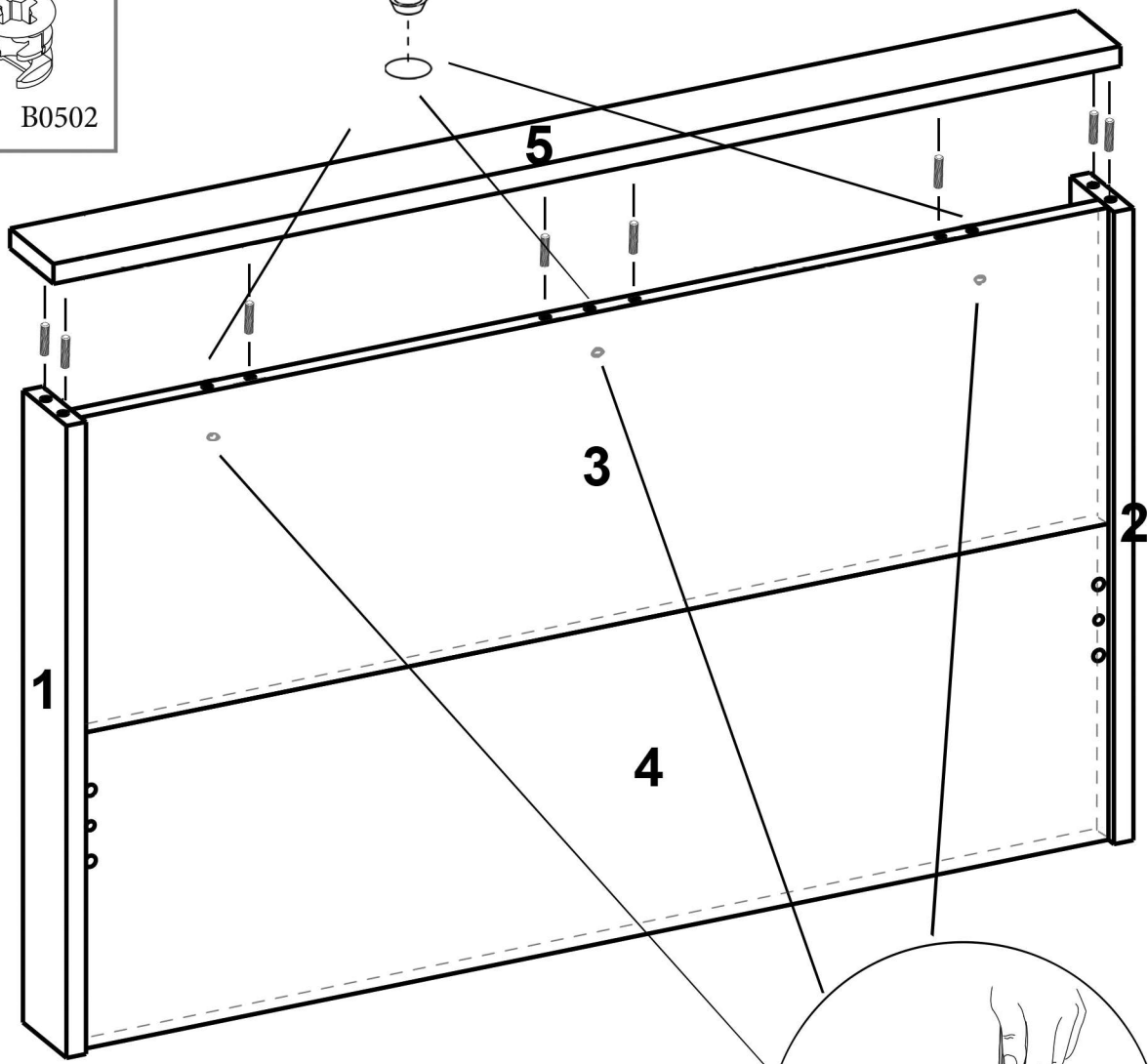




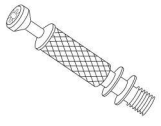
 8x B0503	 3x B0504
 3x B0501	
 3x B0502	



B0503



B0502



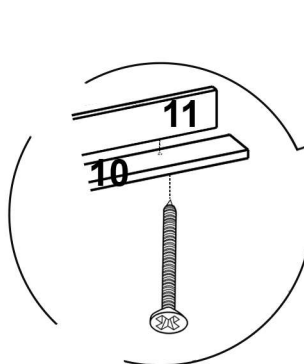
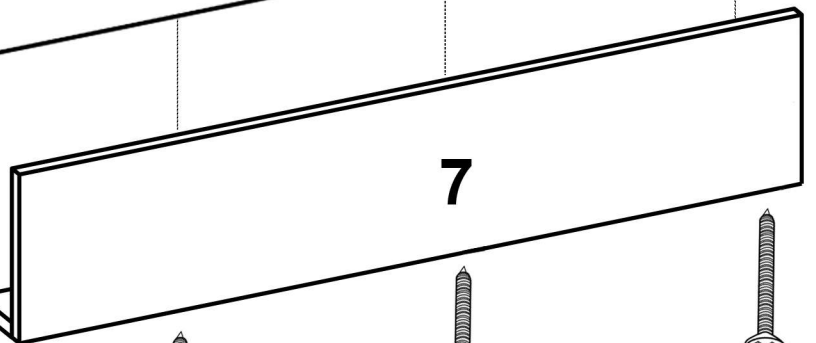
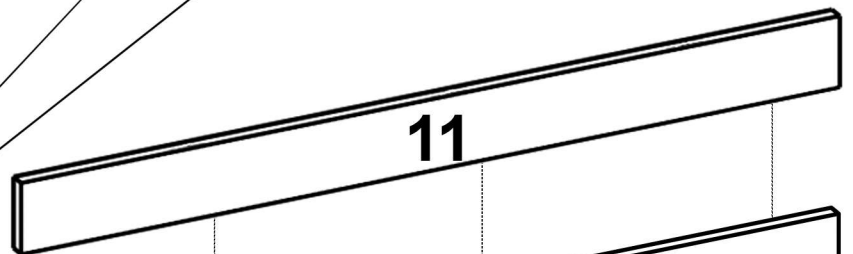
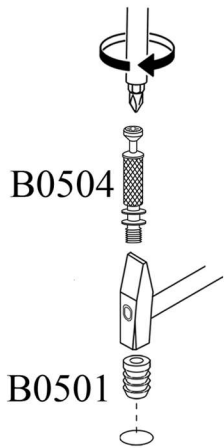
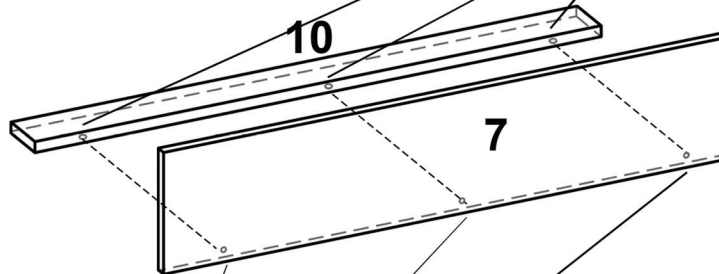
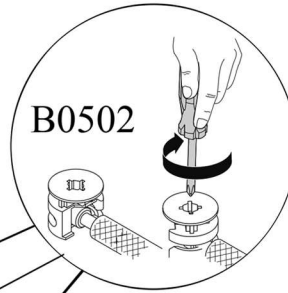
3x B0504



3x B0502

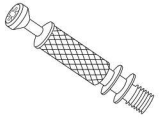
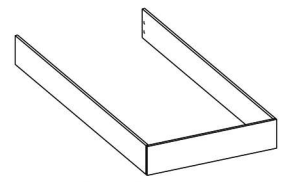


3x B0501



5/8

HM4



4x B0504



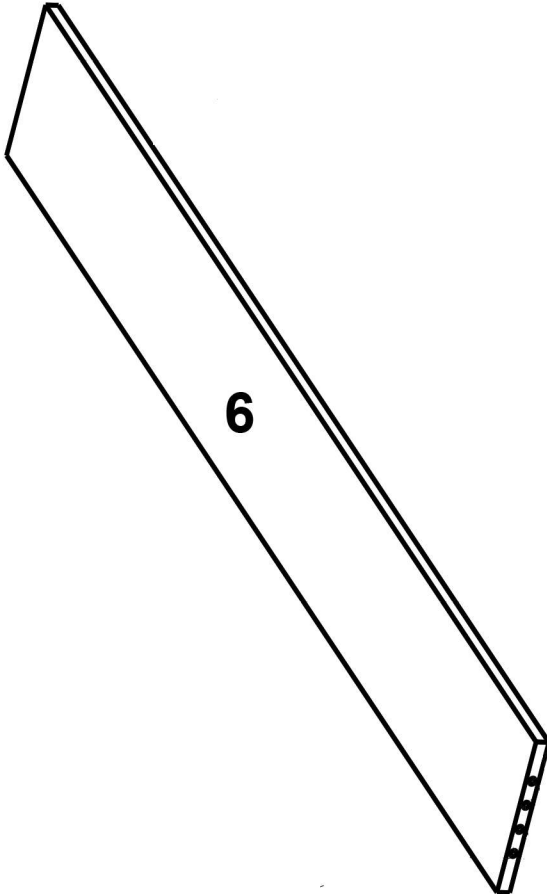
4x B0503



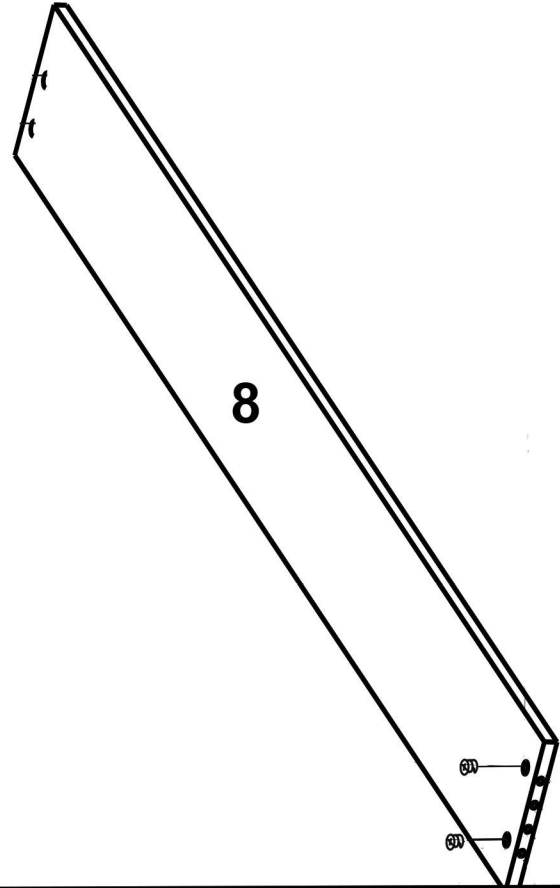
4x B0501



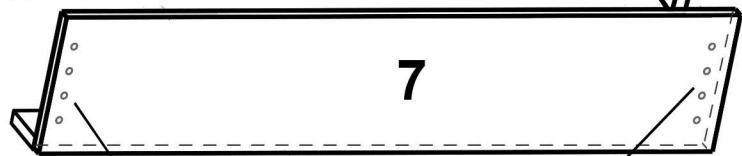
4x B0502



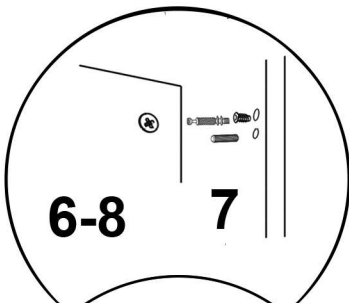
6



8

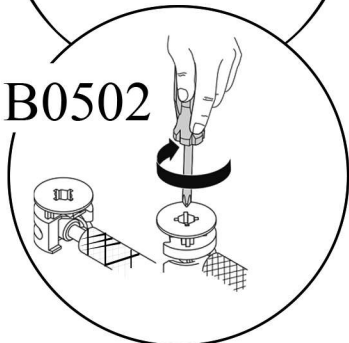


7

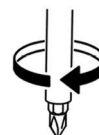


6-8

7



B0502



B0504



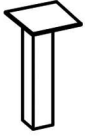
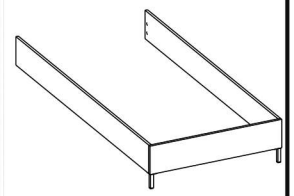
B0501

B0503

7

6/8

HM4



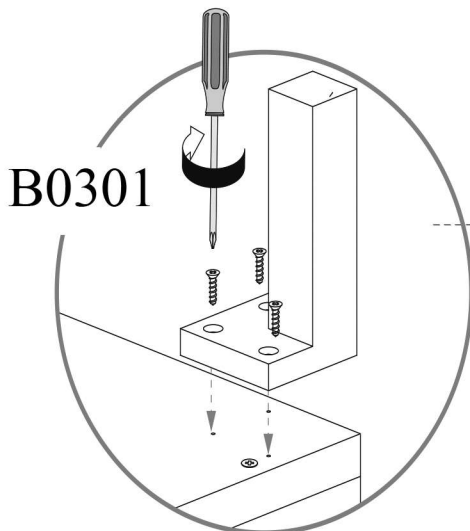
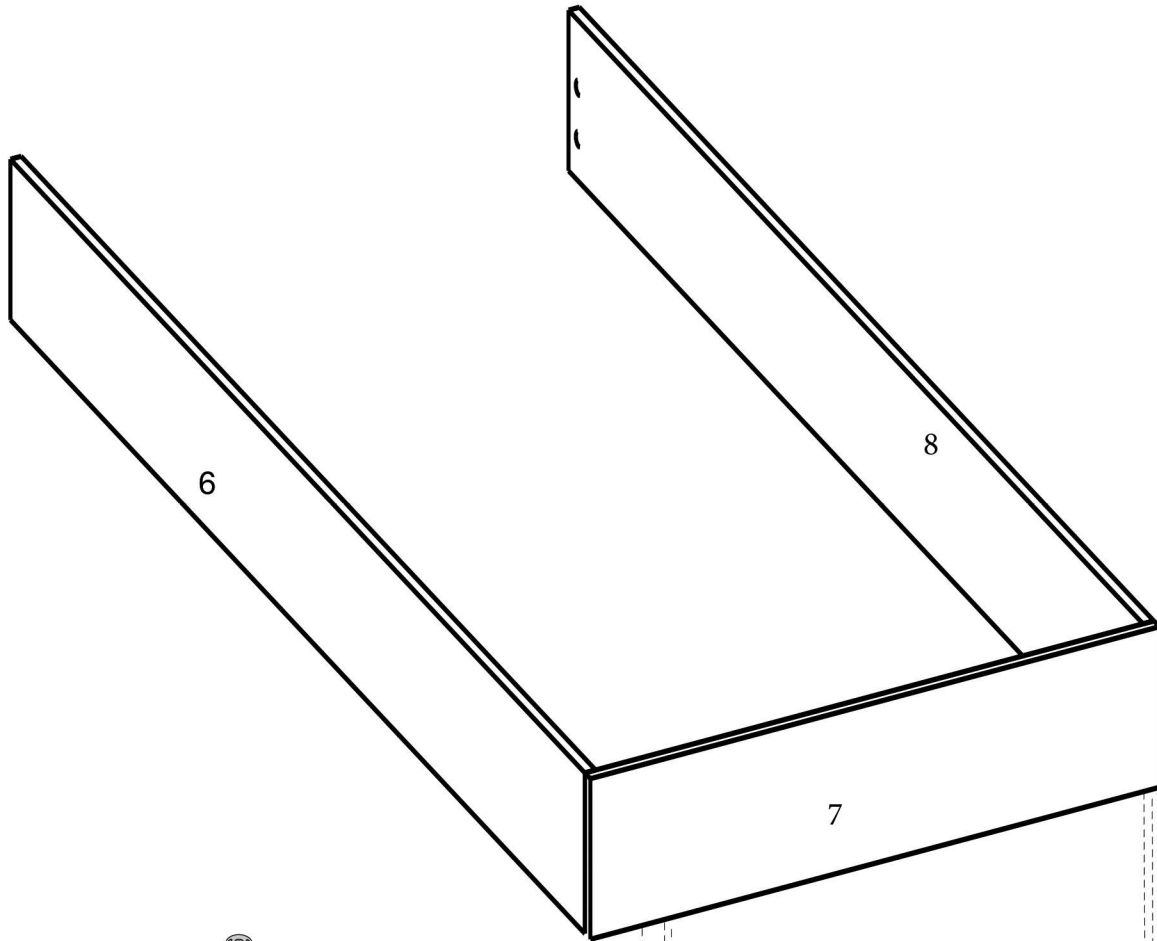
2x

D0154



6x

B0301

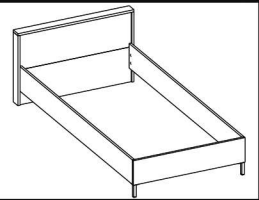


D0154

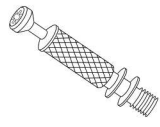
D0154

7/8

HM4



4x B0502



4x B0504



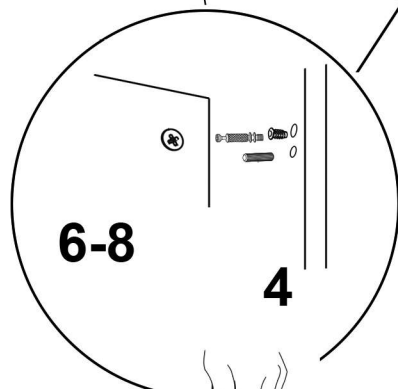
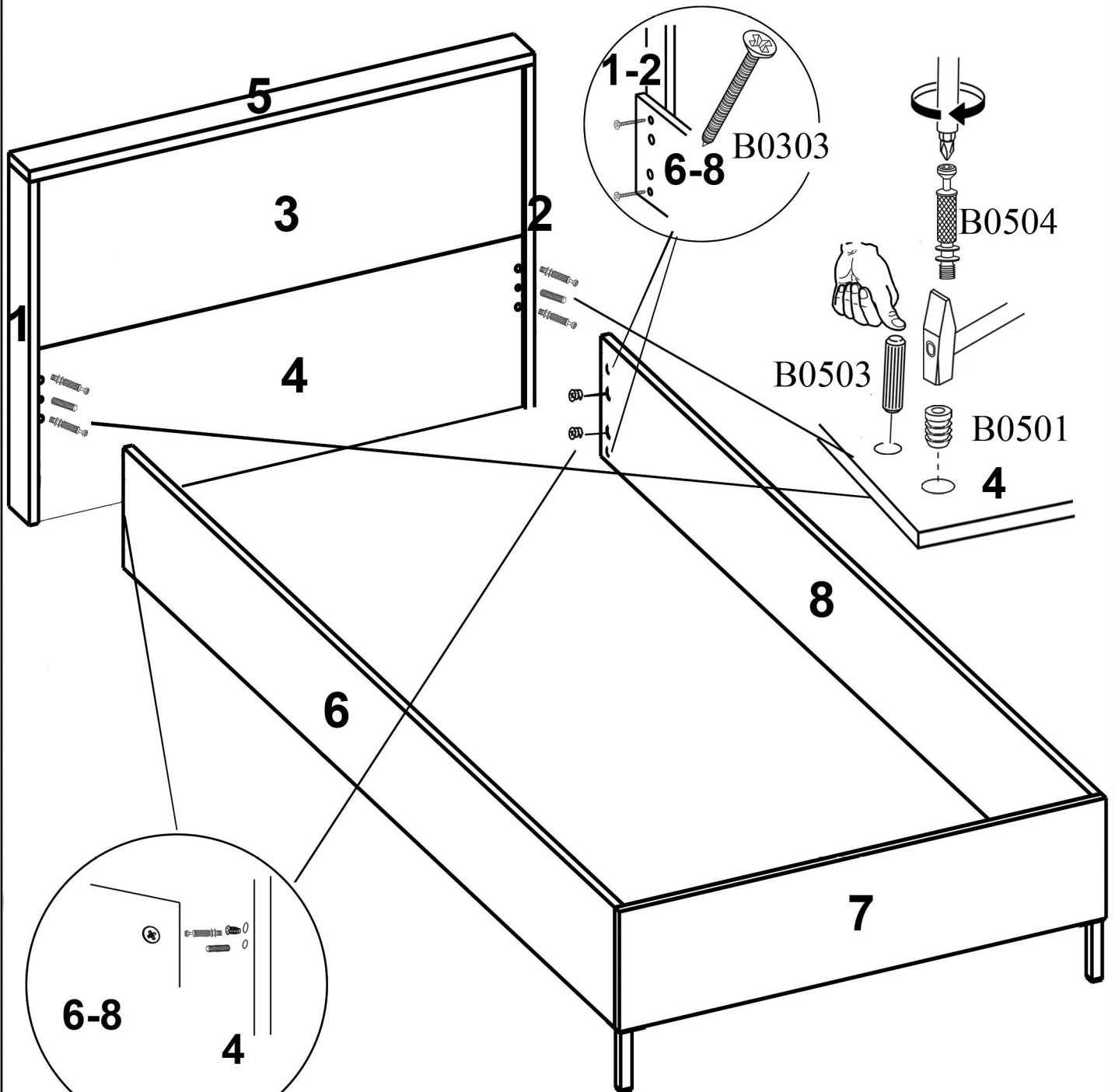
2x B0503



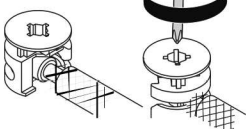
4x B0501



4x B0303

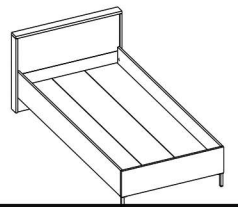


B0502



8/8

HM4



12x B0501



12x B0309



3x D0501

