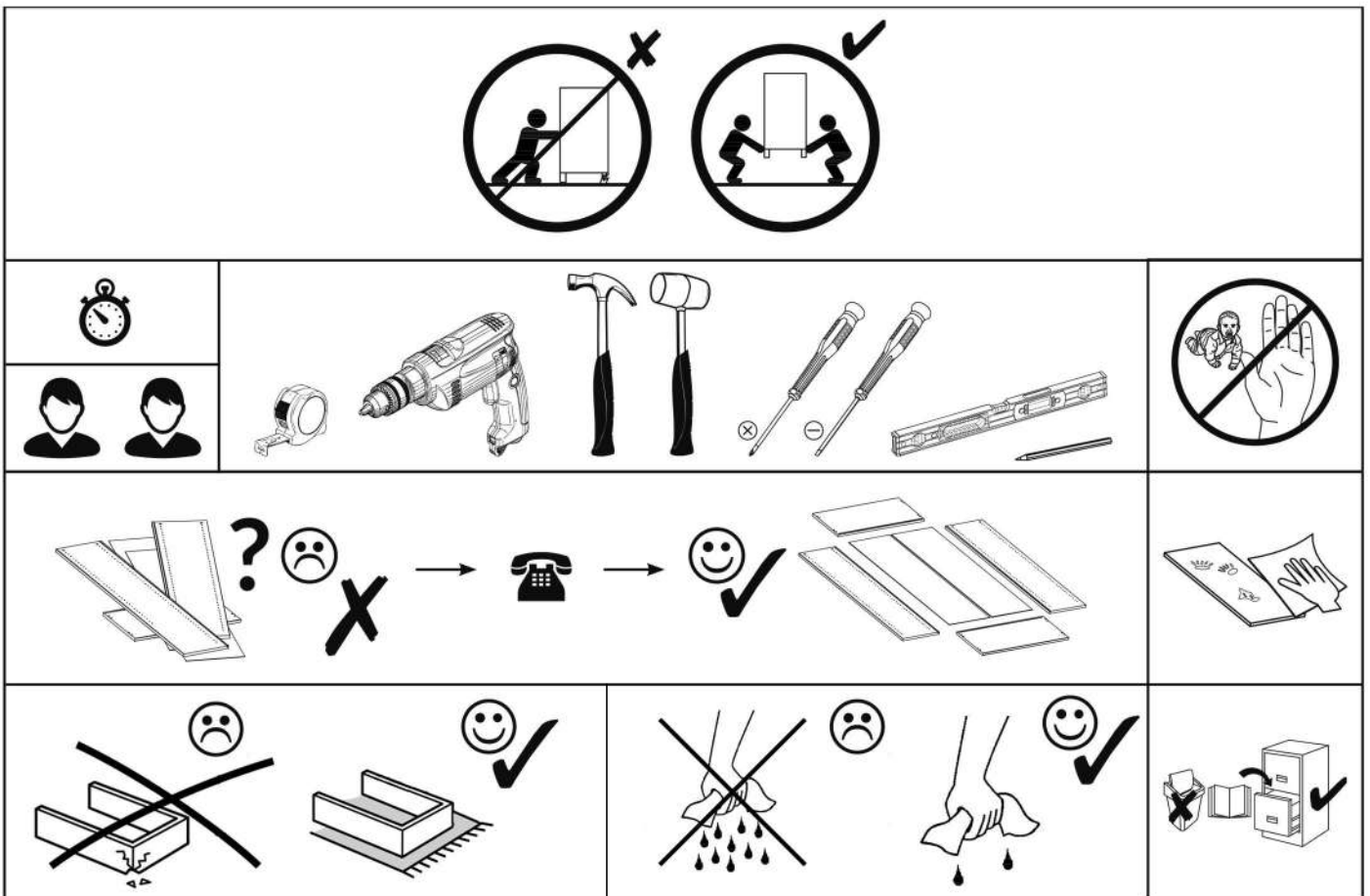
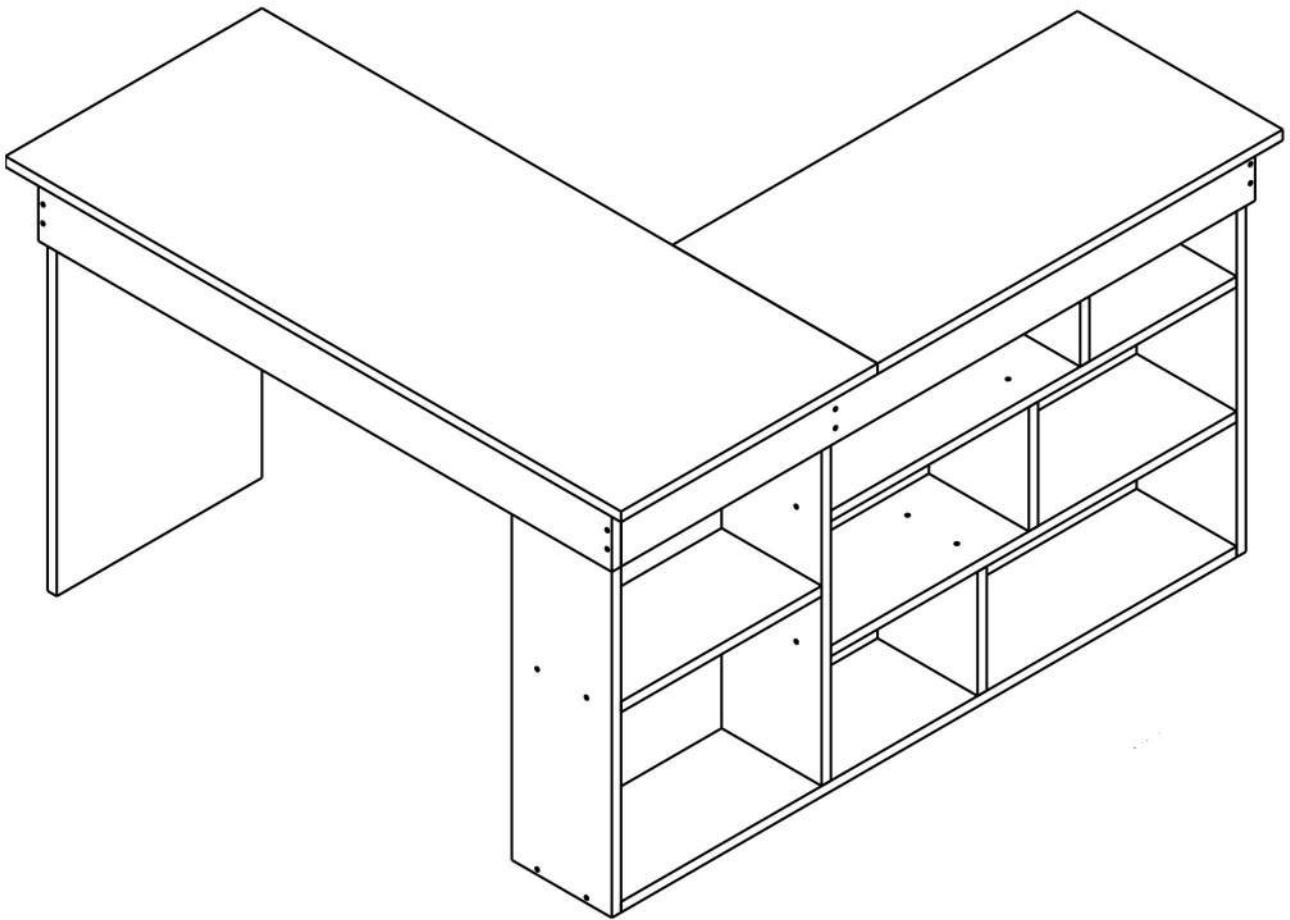







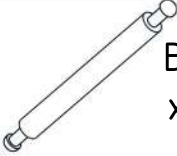
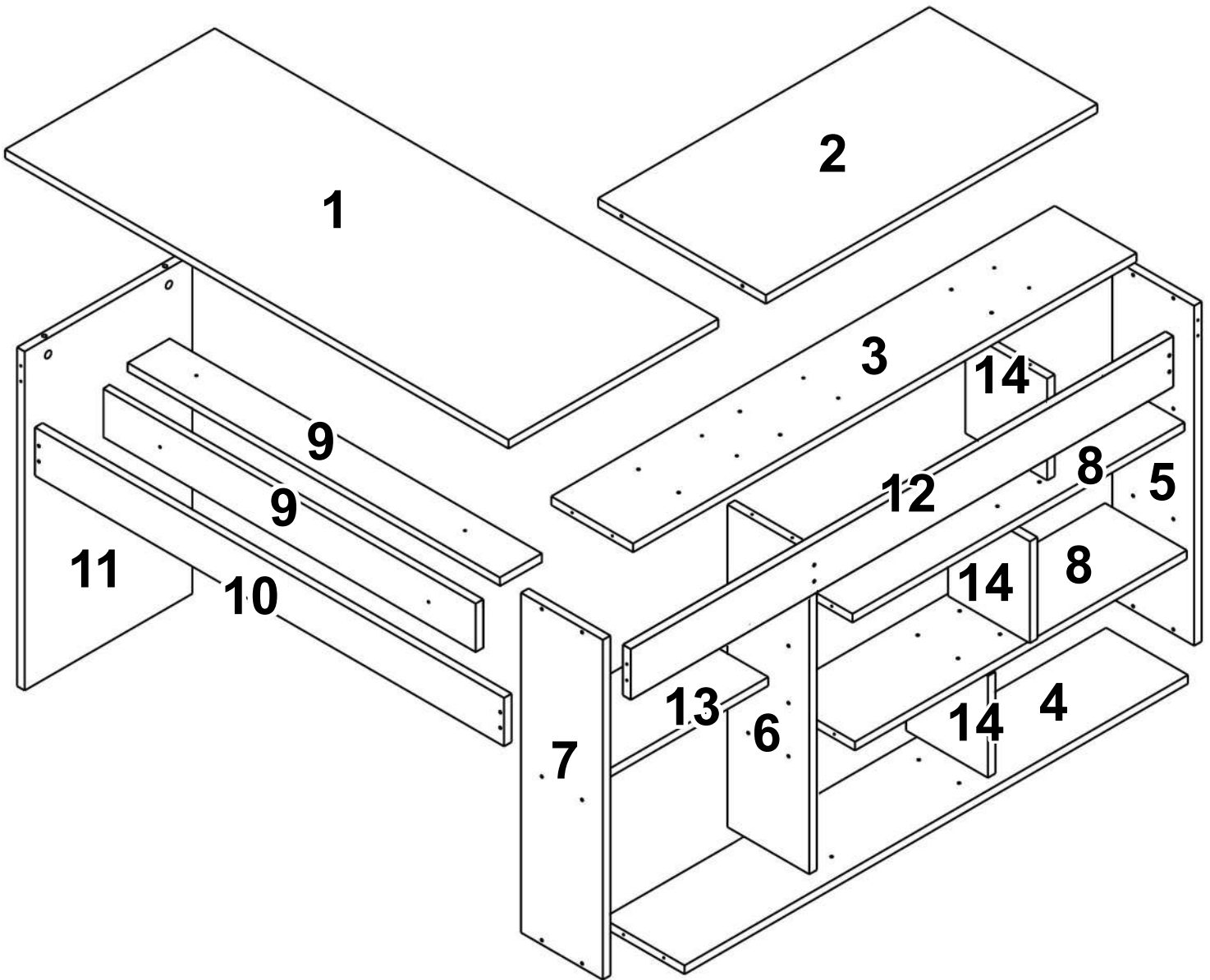
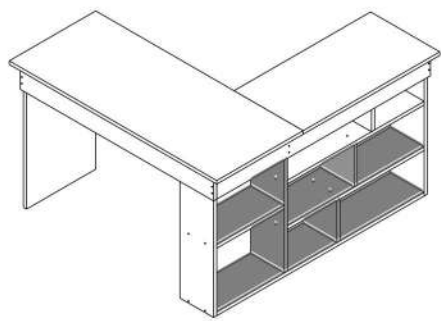


CT5



 B0501 x2	 B0502 x6	 B0503 x4	 B0504 x2	 B0304 x48
 B0303 x14	 x4 x10	 B0505 x2		

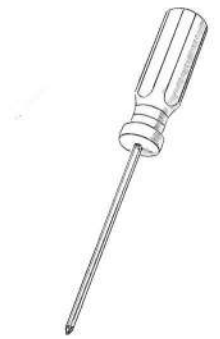




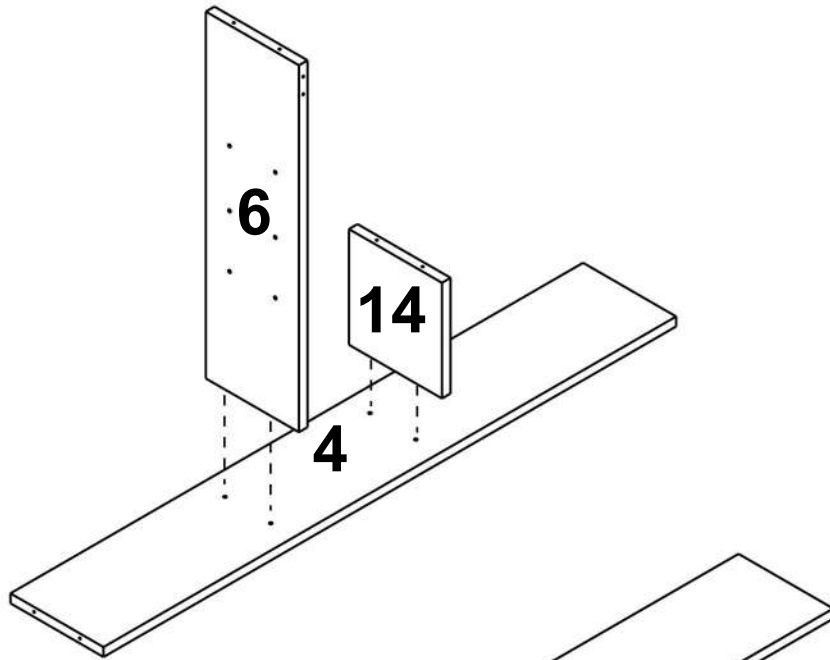
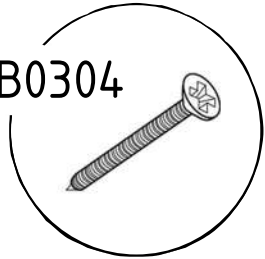
B0304



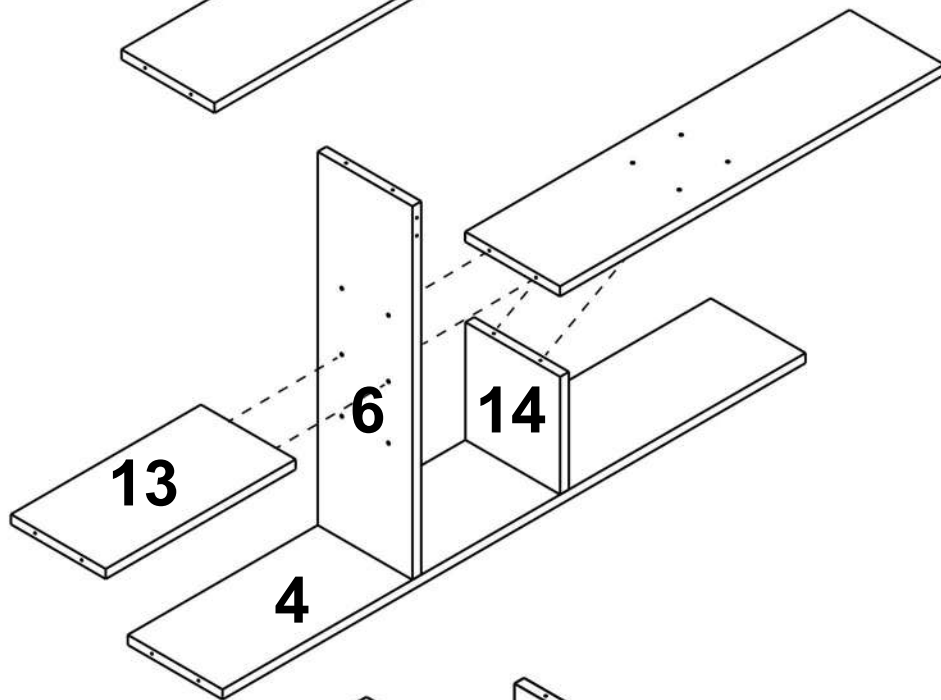
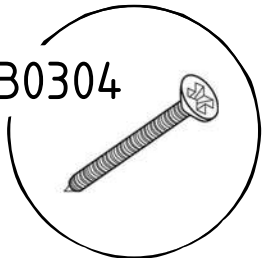
x12



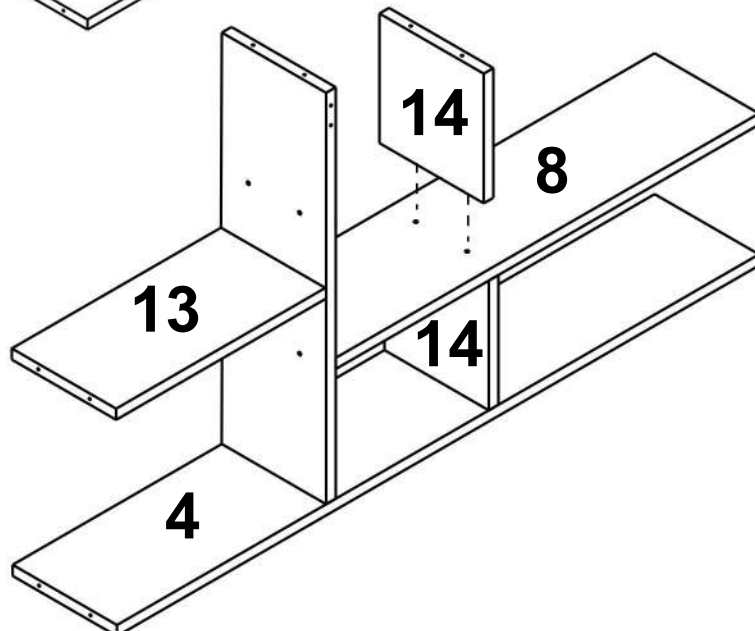
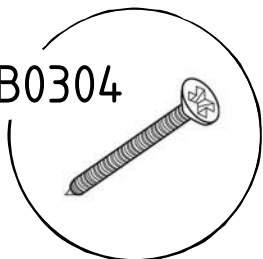
B0304

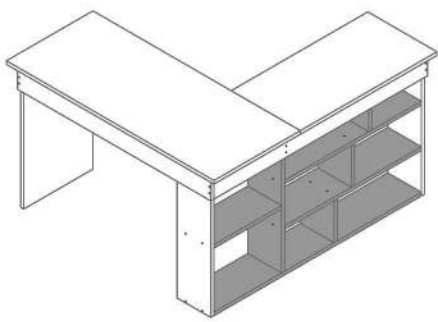


B0304



B0304





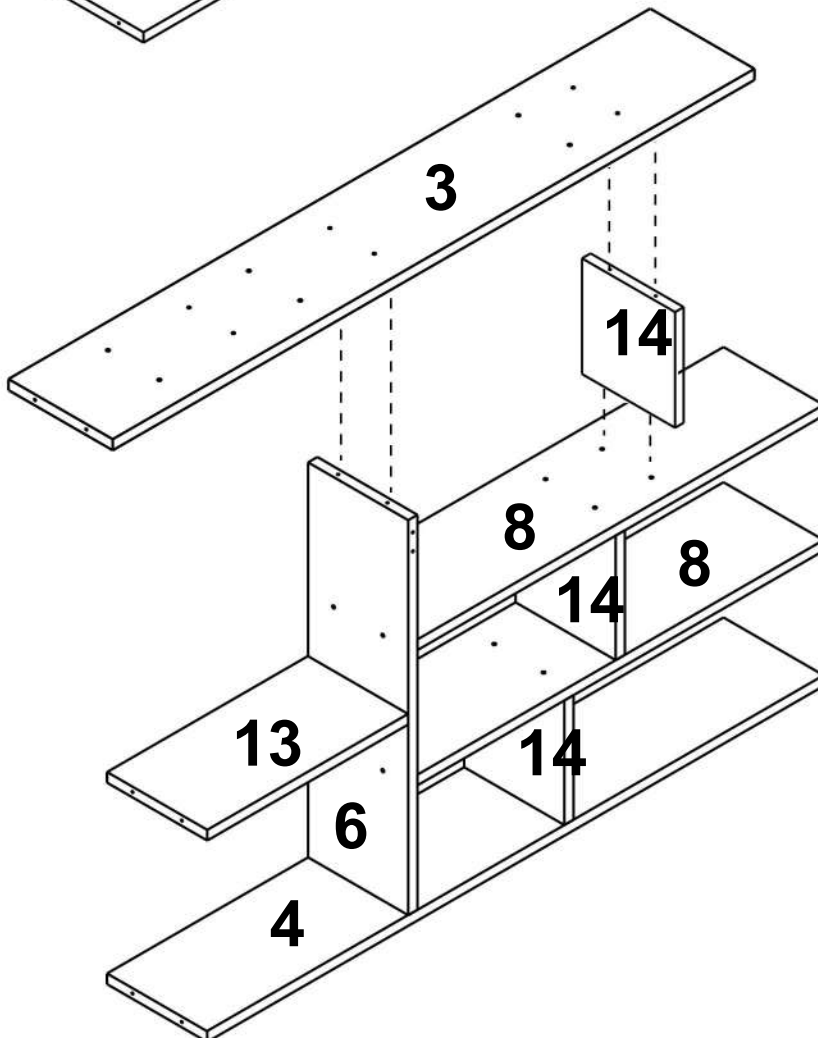
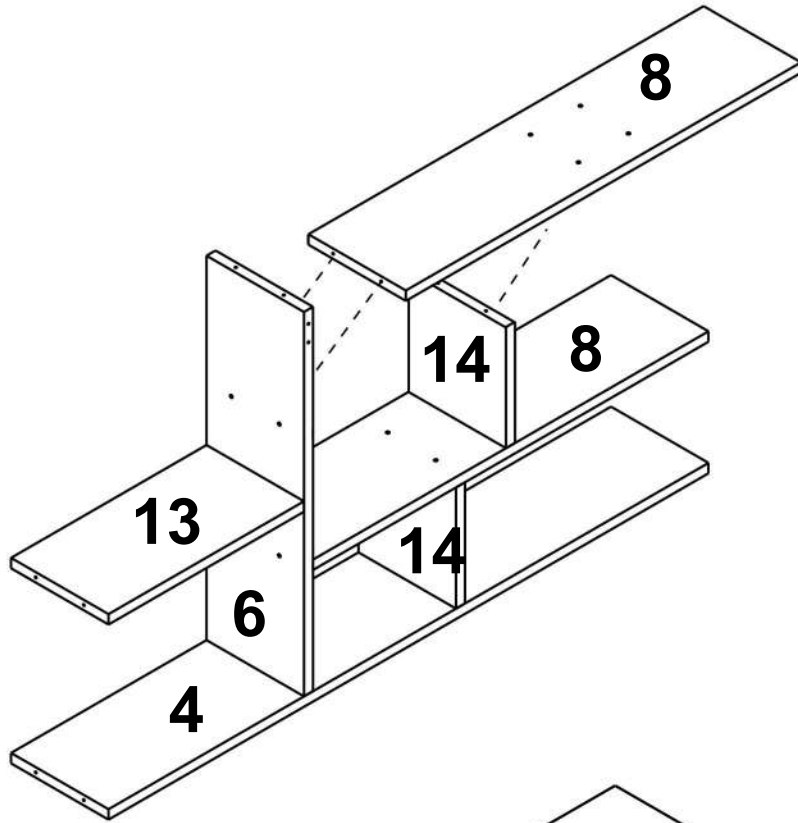
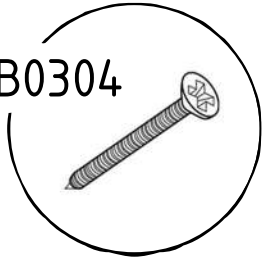
B0304



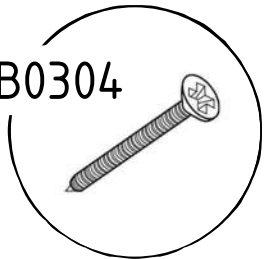
x10

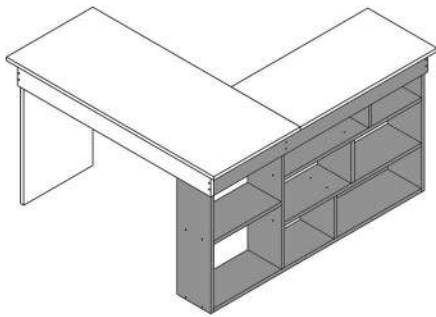


B0304



B0304





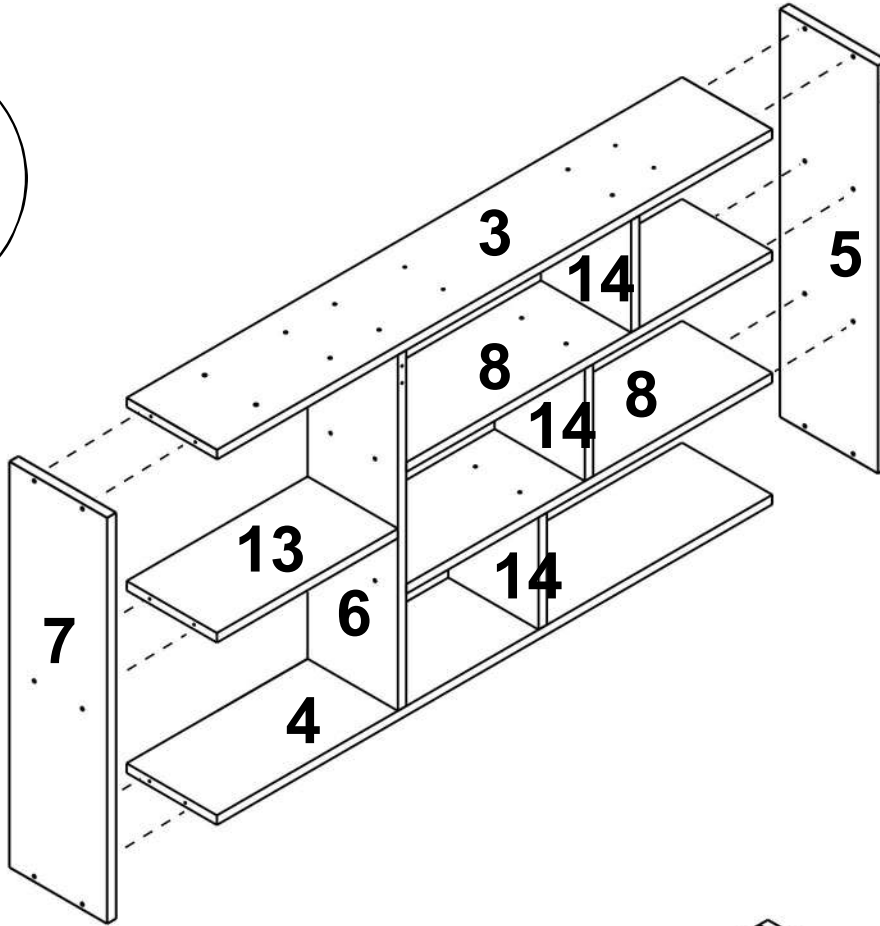
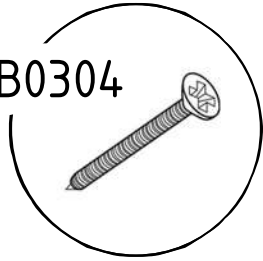
B0304



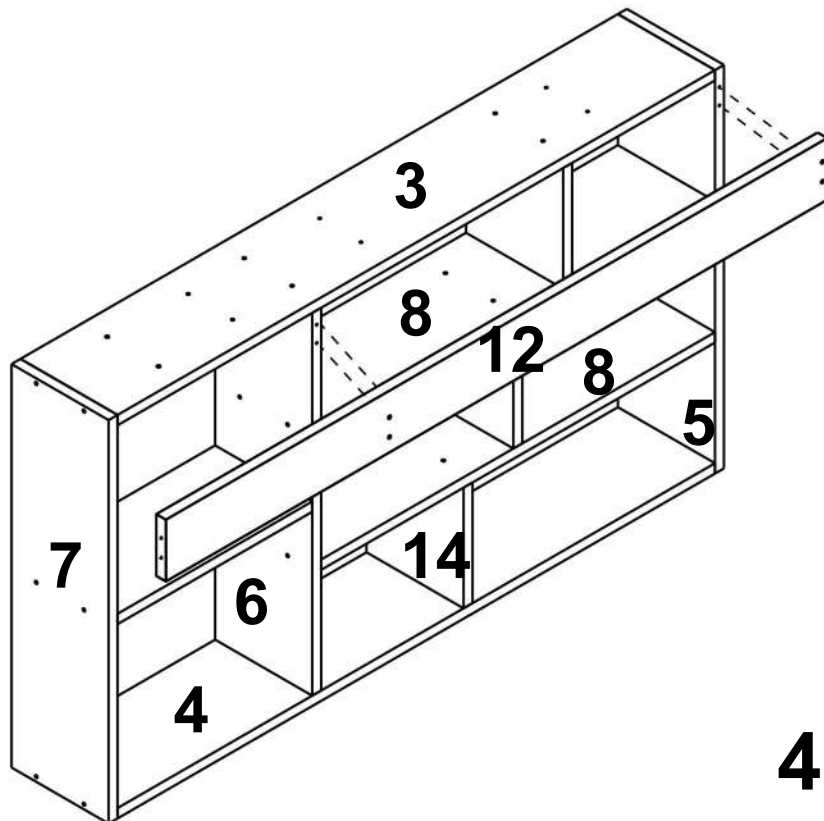
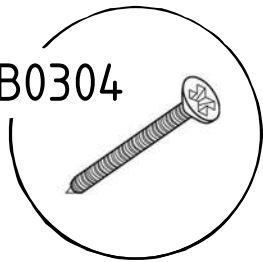
x16

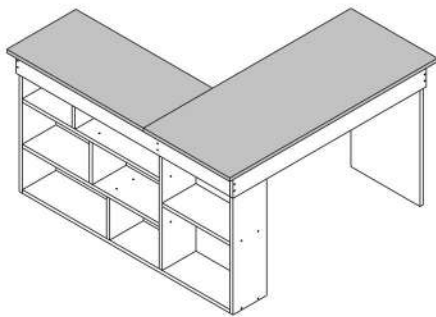


B0304



B0304





B0502 B0503 B0505



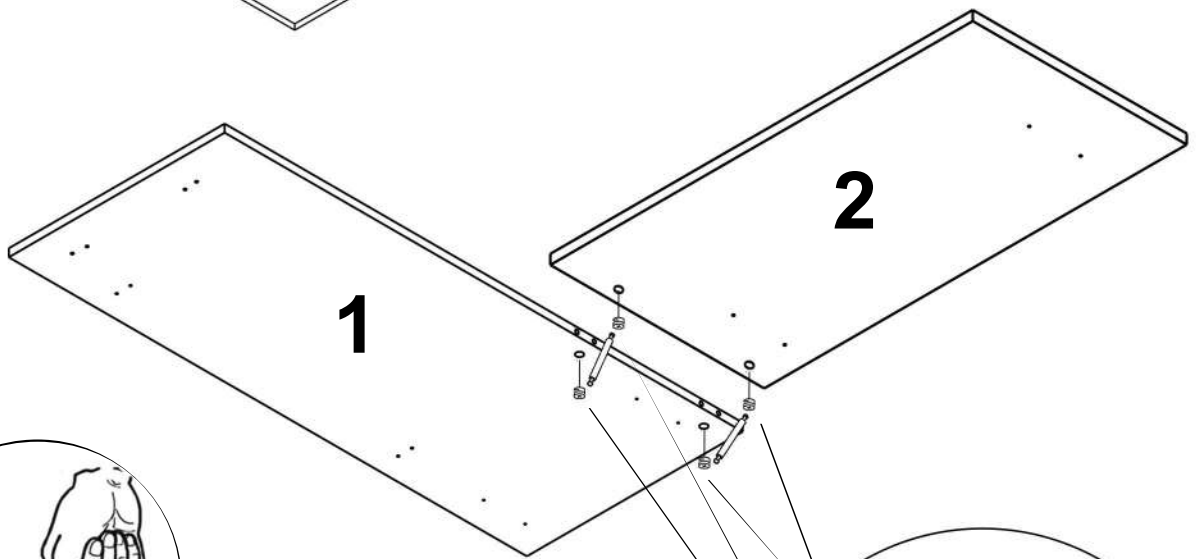
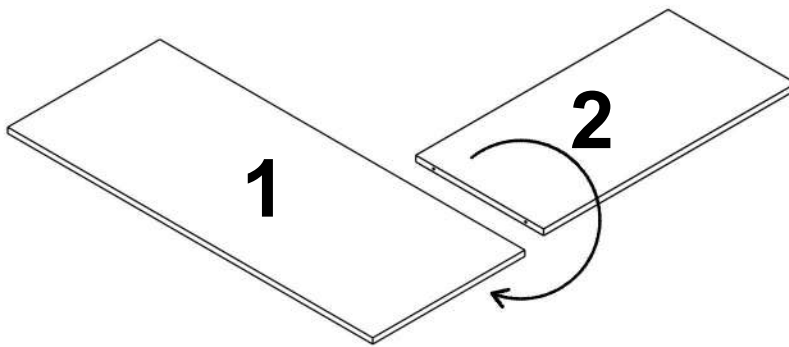
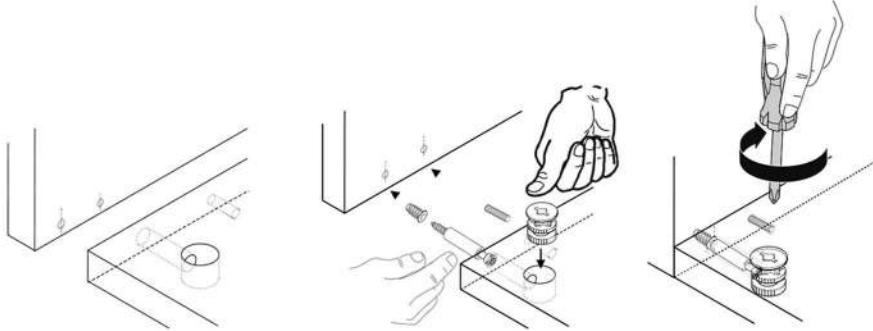
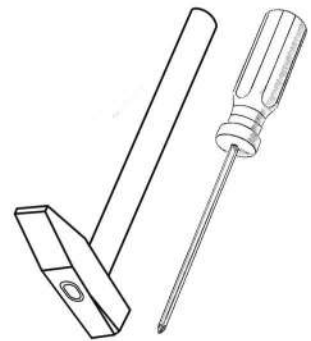
x4



x2



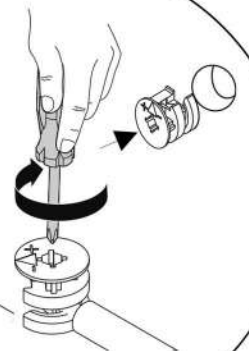
x2



B0503



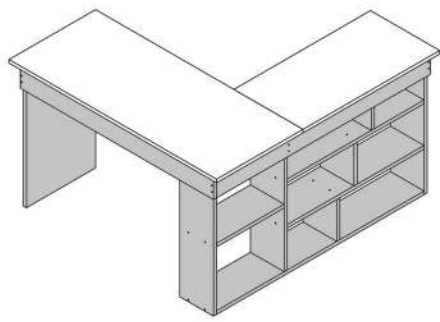
B0502



B0505



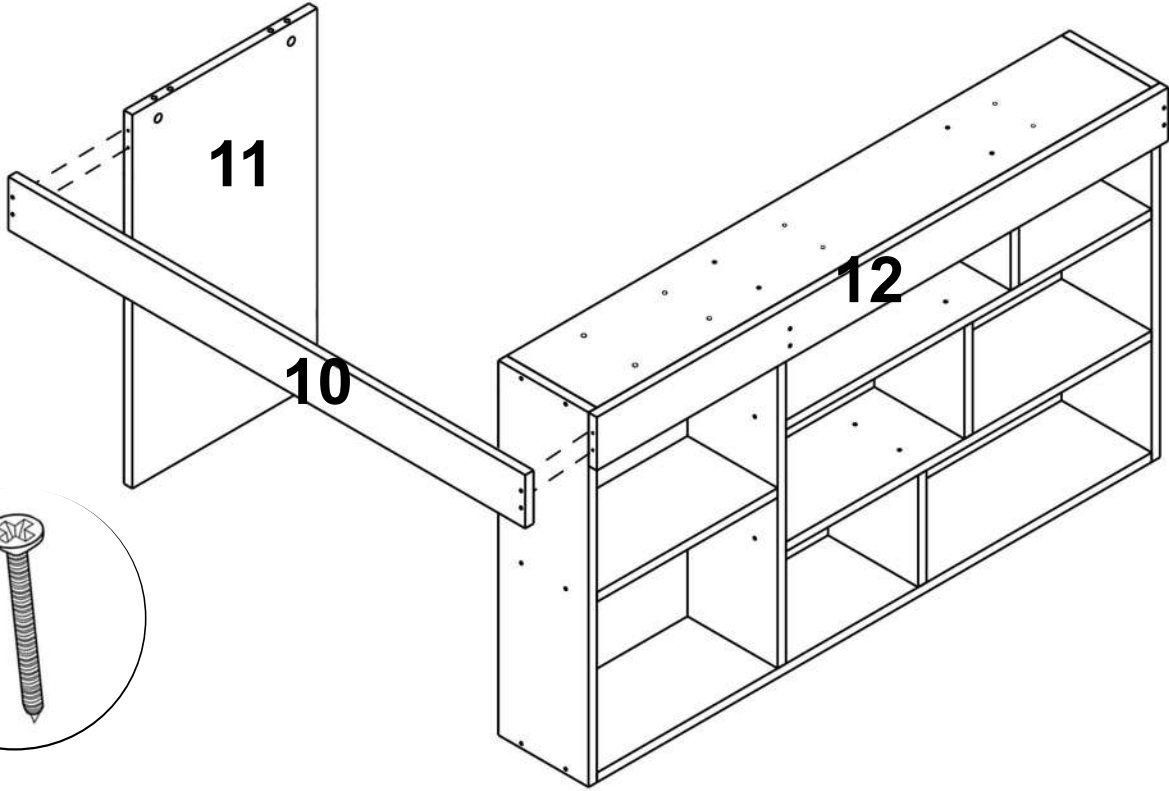
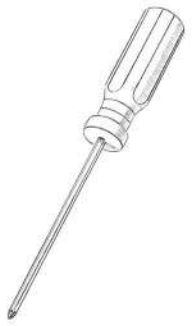
1



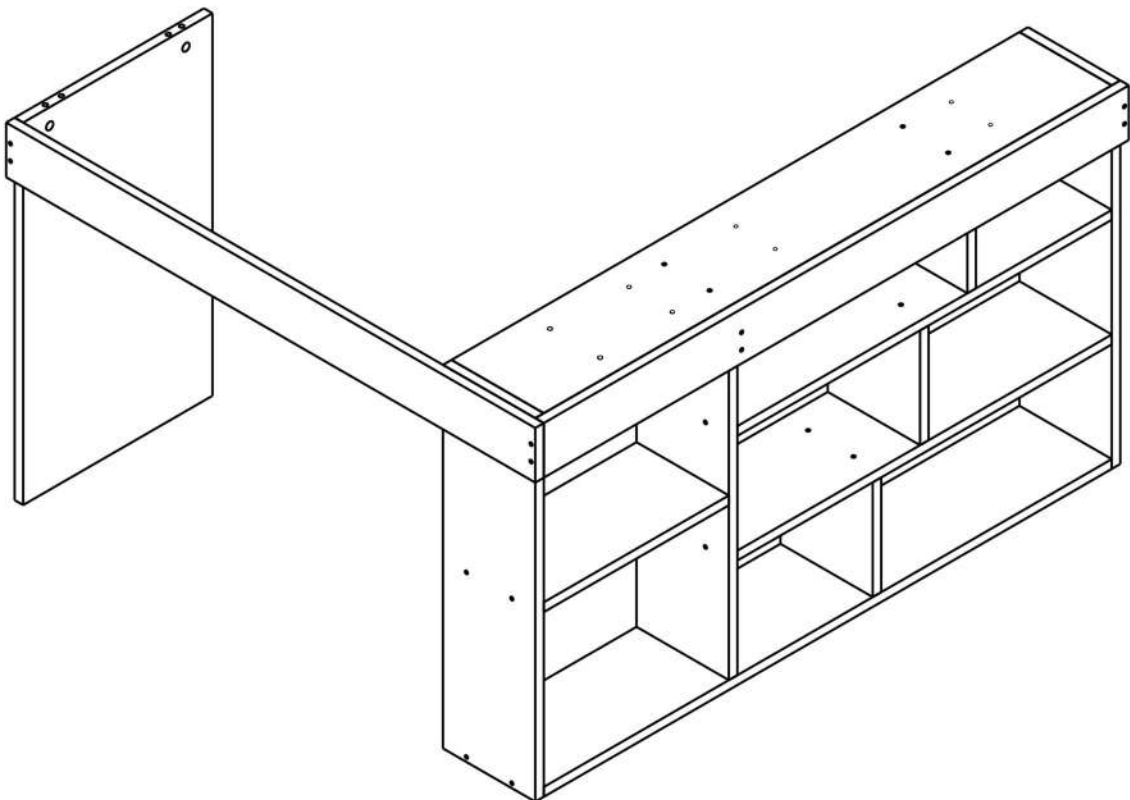
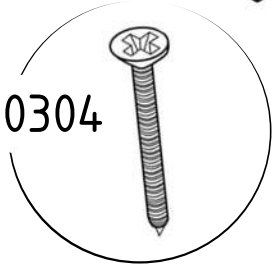
B0304

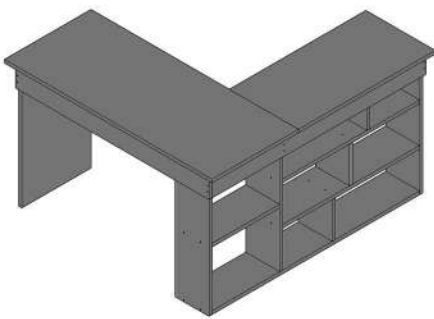


x4



B0304





B0502 B0503 B0504 B0501 B0303



x2



x2



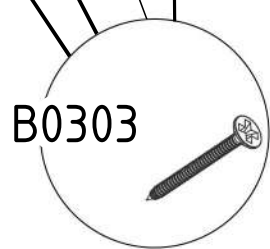
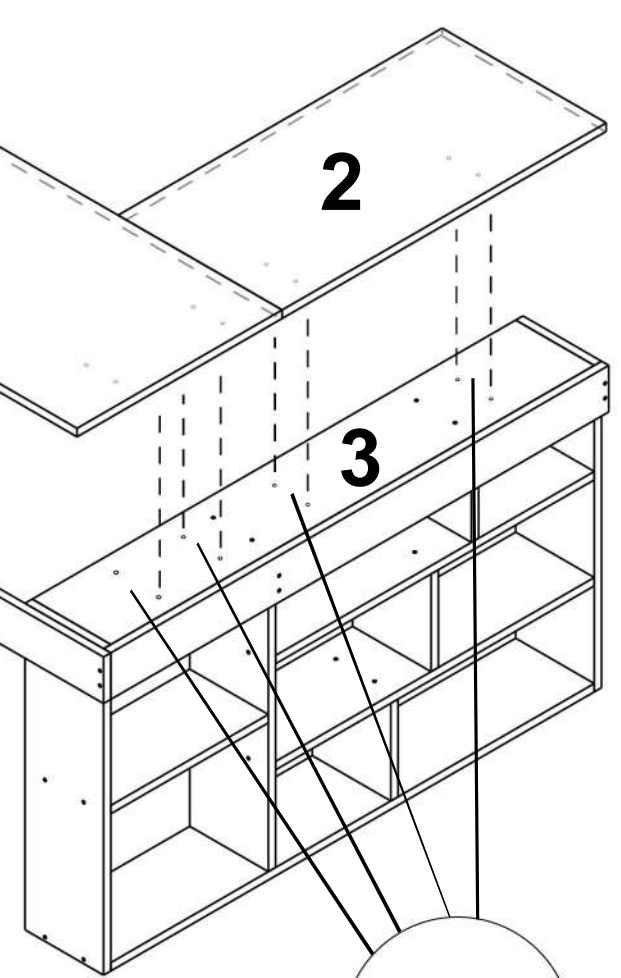
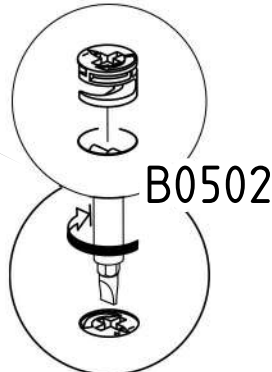
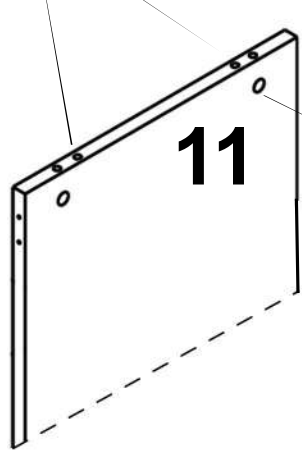
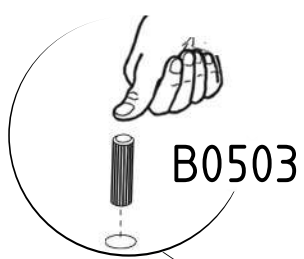
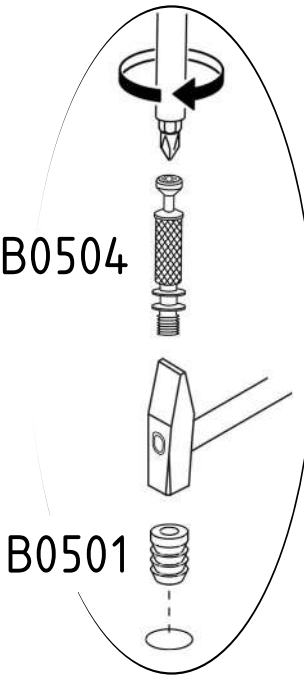
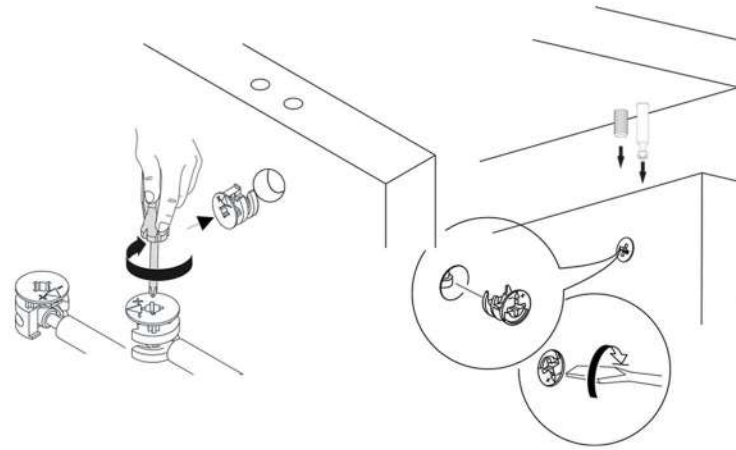
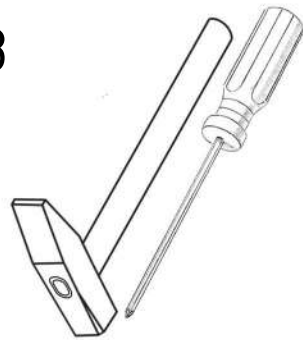
x2

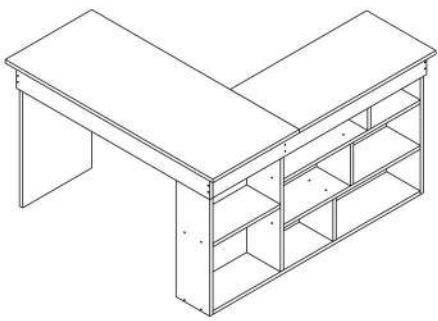


x2



x8

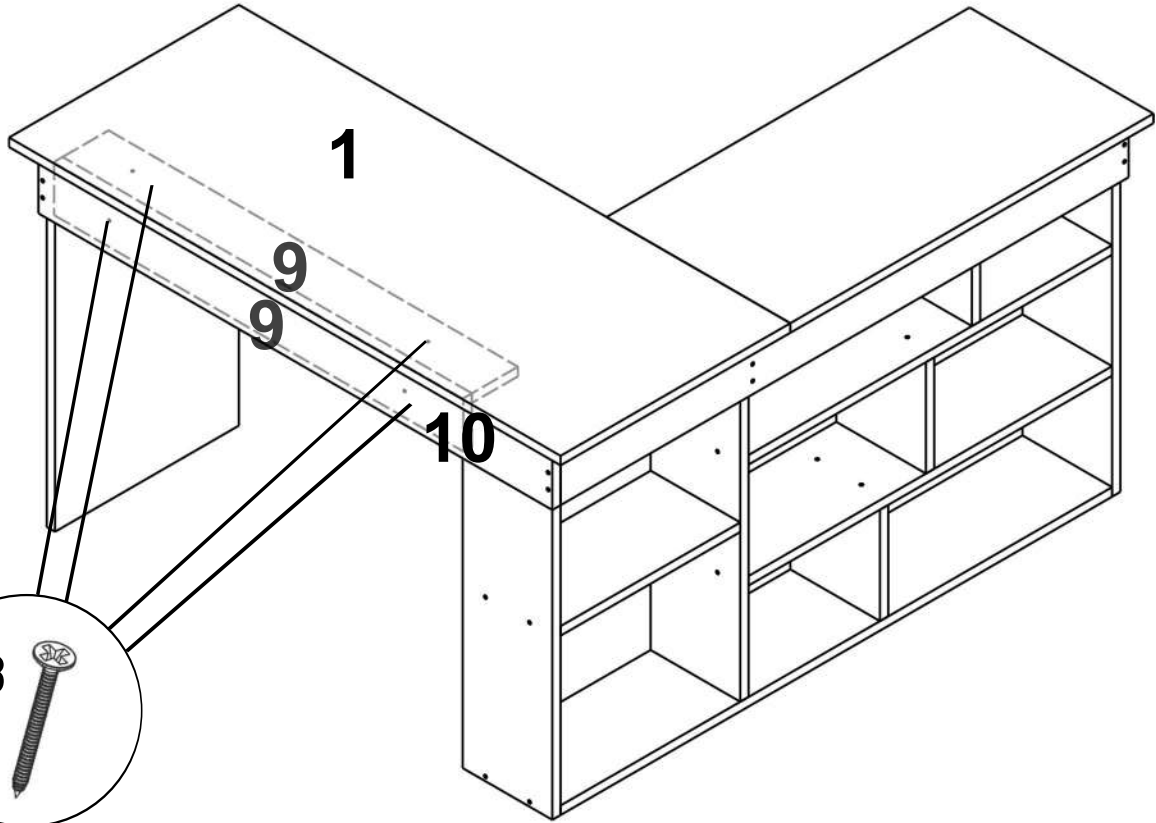




B0303



x4



B0303

