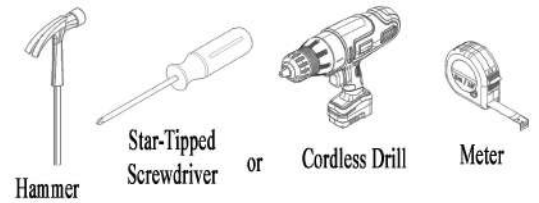


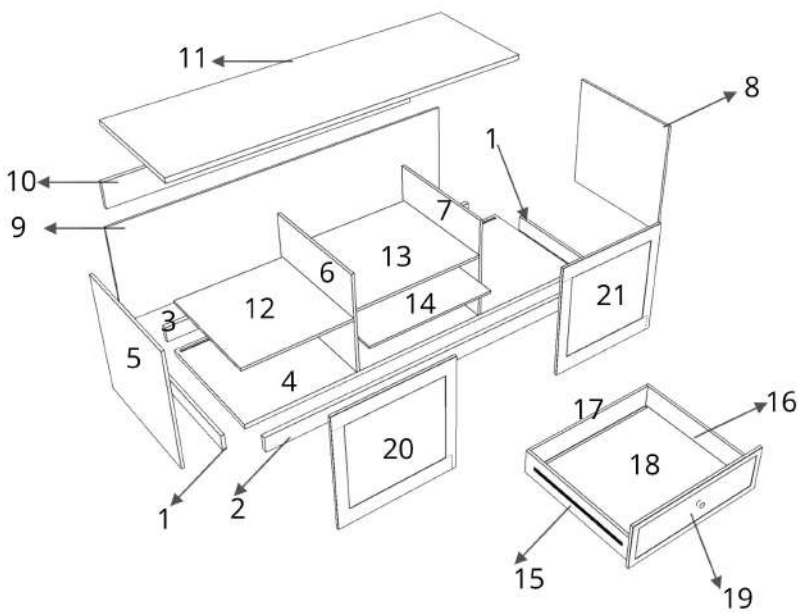
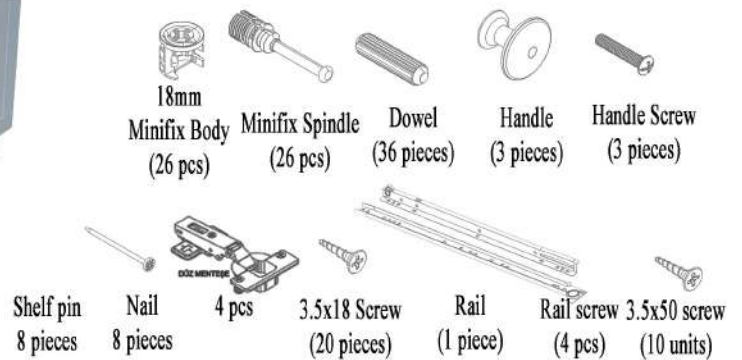
HENRY TV TABLE



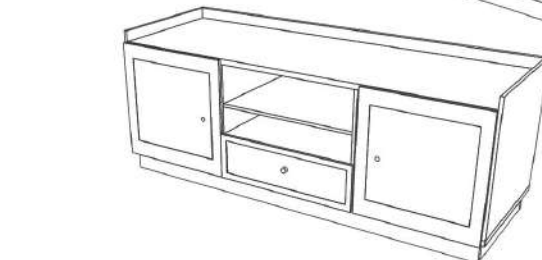
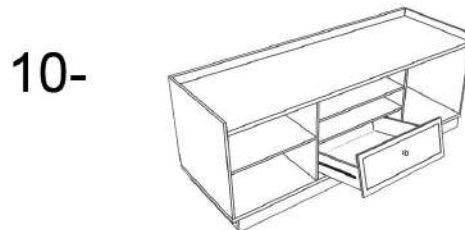
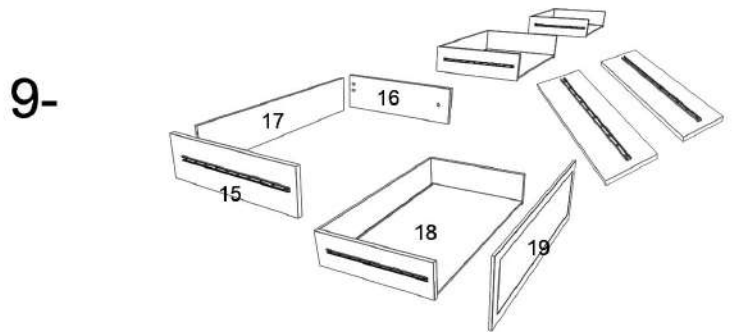
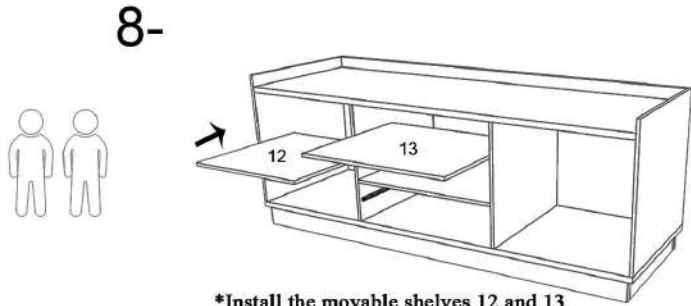
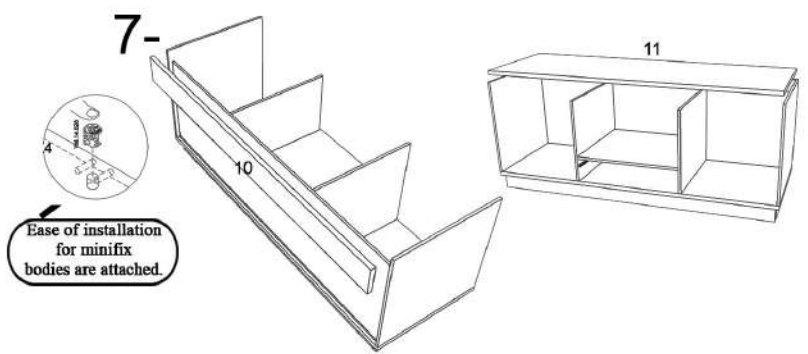
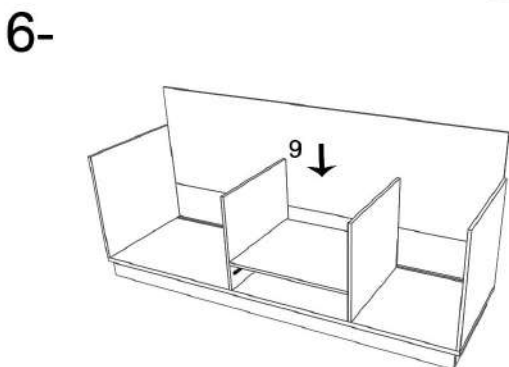
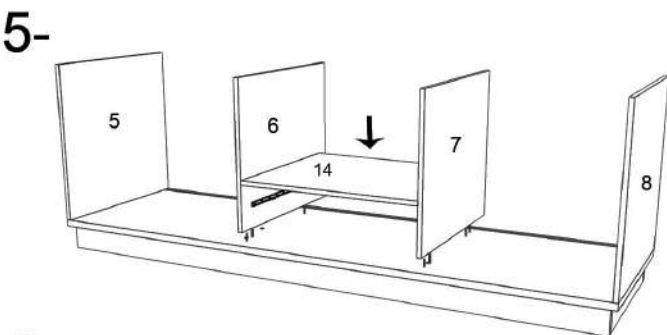
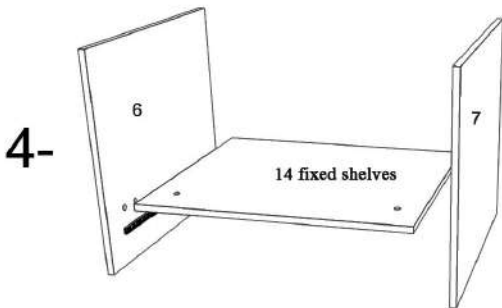
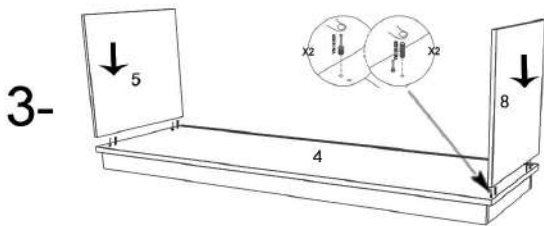
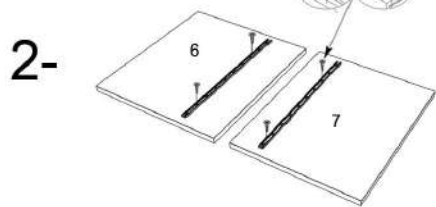
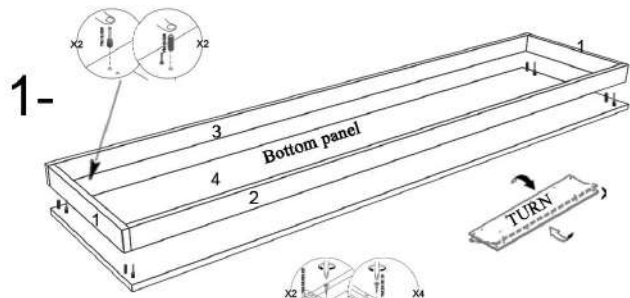
HAND TOOLS REQUIRED FOR INSTALLATION



ACCESSORIES LIST



PIECE ITS NUMBER	PIECE FIRST NAME	PIECE NUMBER
▶ 1-	Right-Left Base	2
▶ 2-	Front Base	1
▶ 3-	Back Base	1
▶ 4-	Bottom Panel	1
▶ 5-	Left panel	1
▶ 6-	Left Strut	1
▶ 7-	Right strut	1
▶ 8-	Right Panel	1
▶ 9-	Backrest	1
▶ 10-	Support Arm	1
▶ 11-	Top Panel	1
▶ 12-	Mobile shelf	1
▶ 13-	Mobile shelf	1
▶ 14-	Fixed Rack	1
▶ 15-	Left side drawer	1
▶ 16-	Right side drawer	1
▶ 17-	Drawer back	1
▶ 18-	Drawer mat	1
▶ 19-	Drawer flap	1
▶ 20-	Left cover	1
▶ 21-	Right cover	1



YOU HAVE COMPLETED THE PRODUCT INSTALLATION.