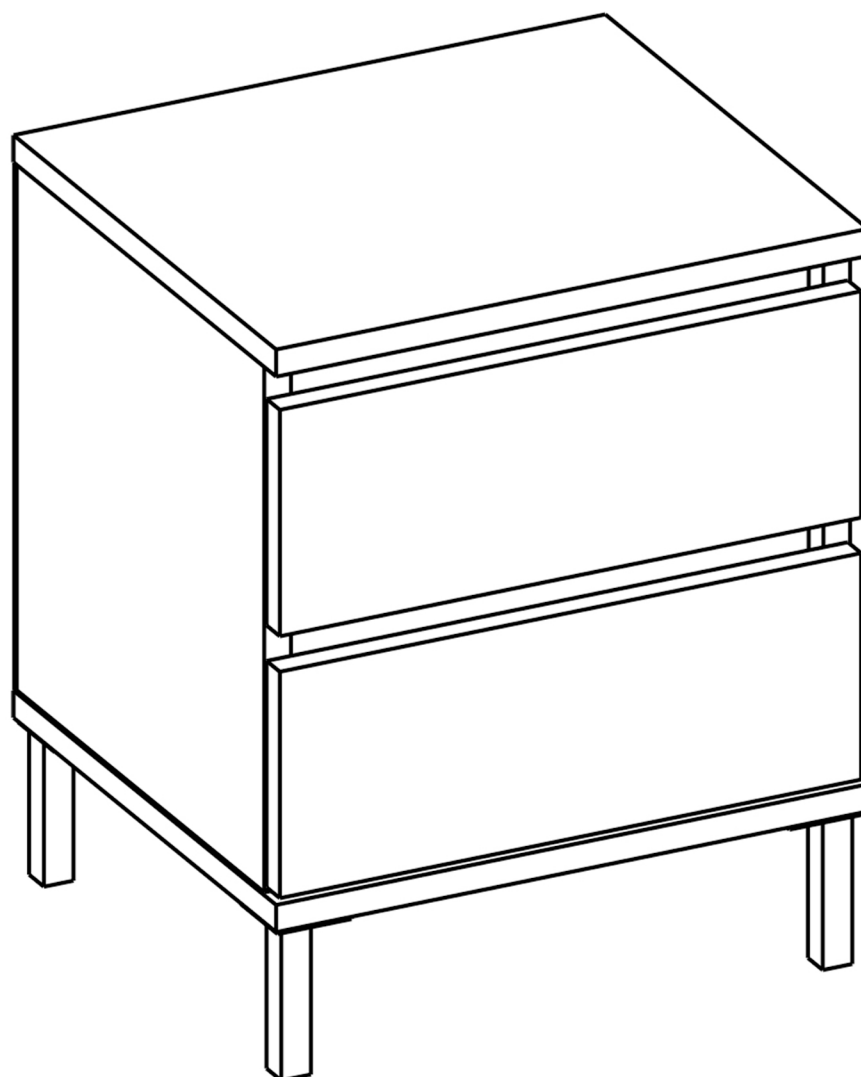
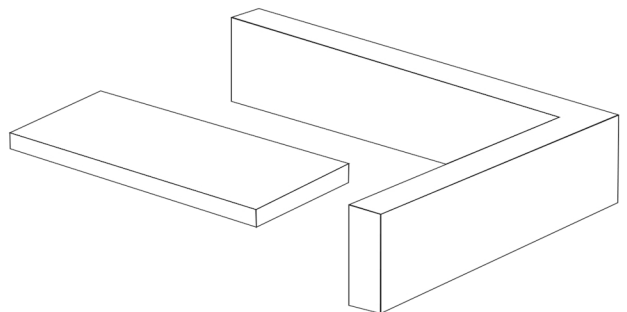
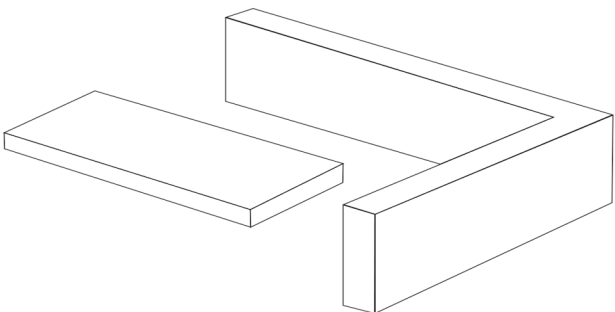
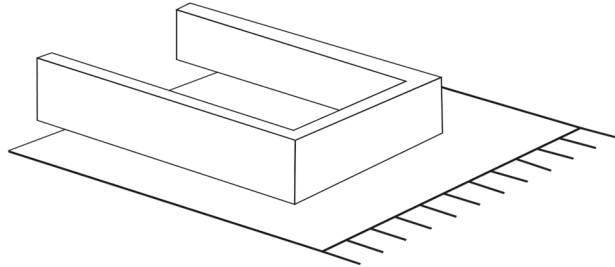
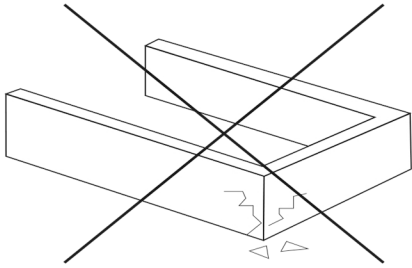
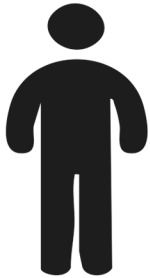
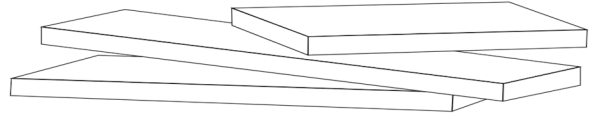
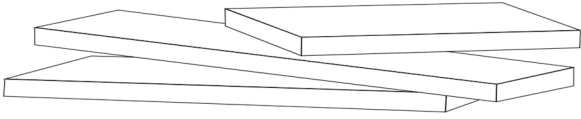
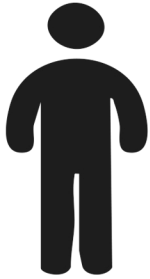


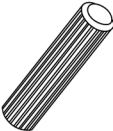





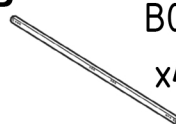


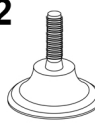

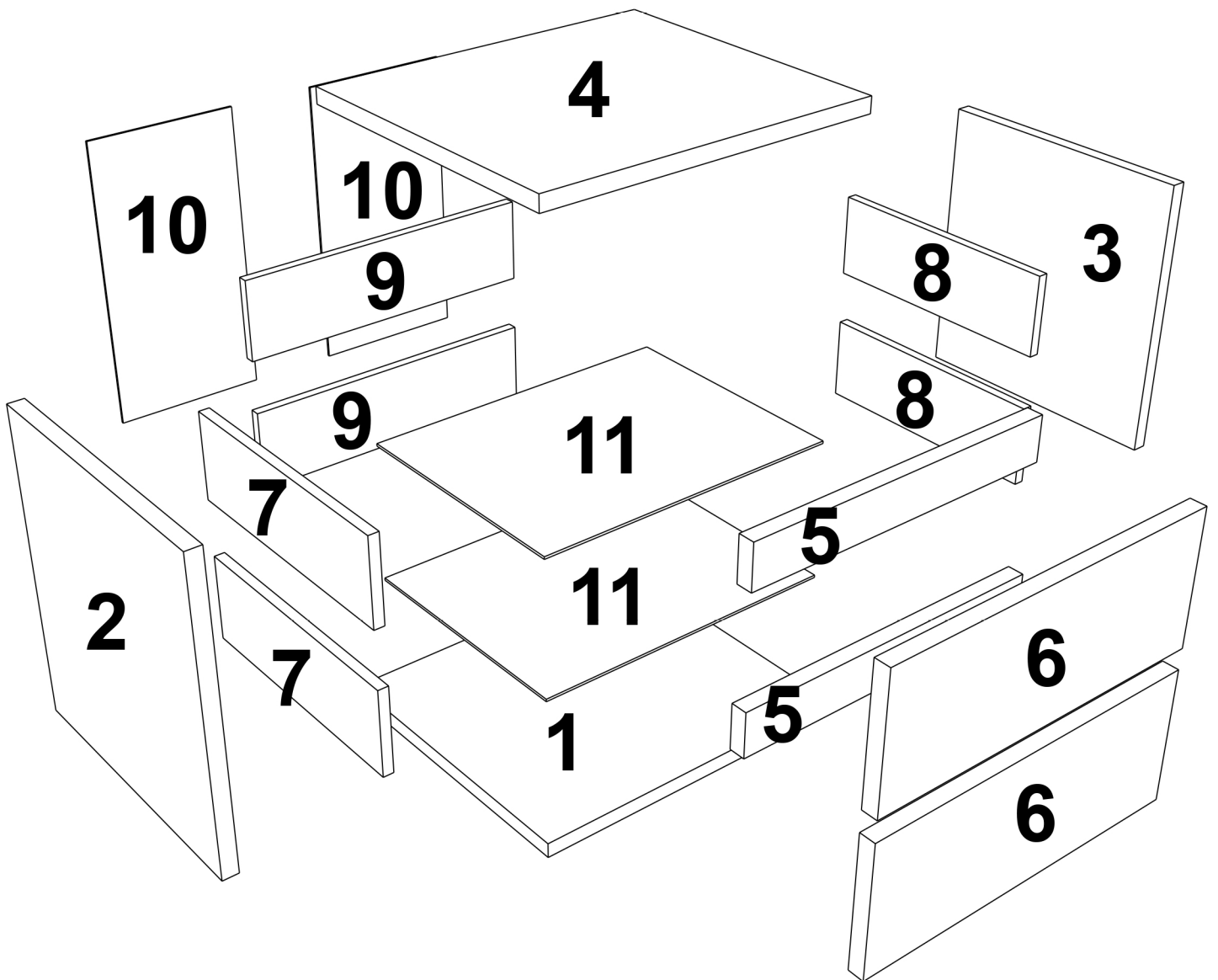


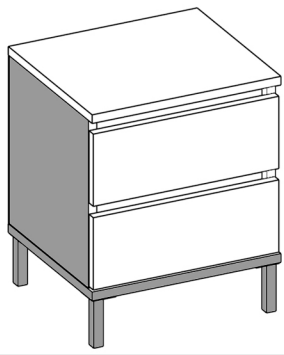
LV25



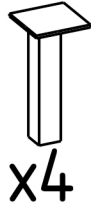


1  B0501 x8	1  B0502 x8	1  B0503 x16	1  B0504 x8	2  B0301 x20
2  B0304 x8	1  B0511 x8	1  B0510 x8	P  B0906 x4	2  B0328 x4
P  D0154 x4	2  B1702 x4	2  B0318 x15		





D0154



x4

B0502



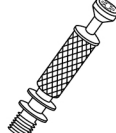
x2

B0503



x2

B0504



x2

B0501

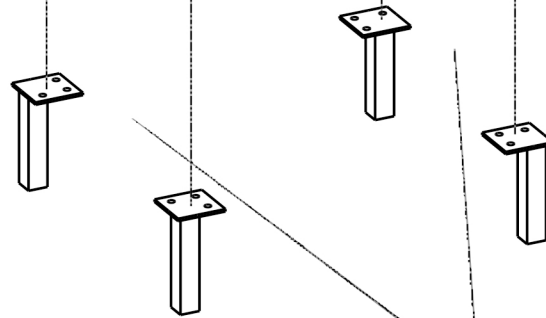
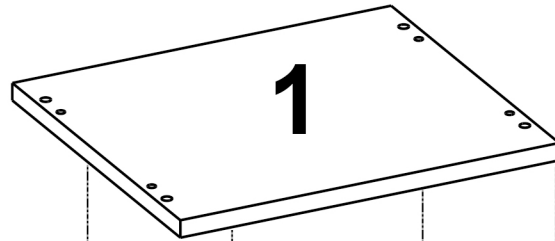
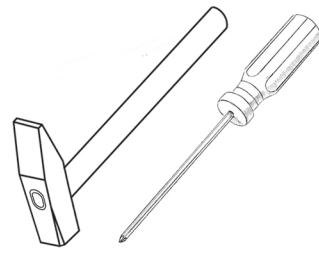


x2

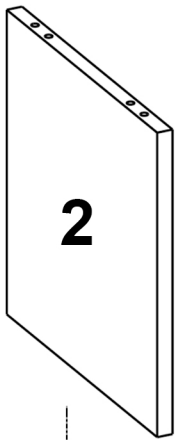
B0301



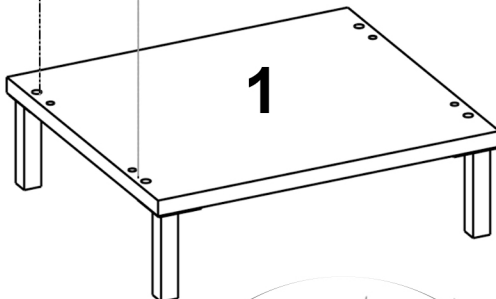
x12



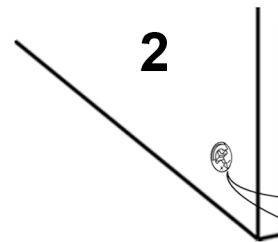
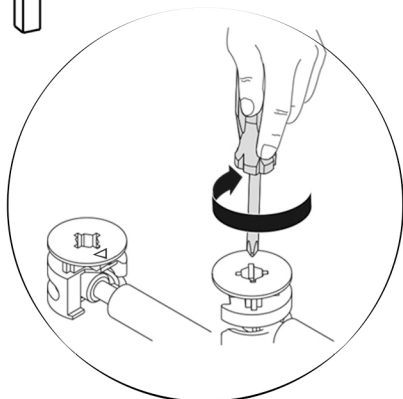
B0301



2



1



2

B0502



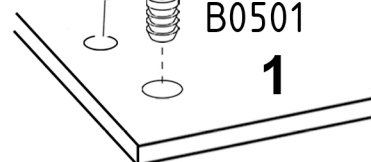
B0504



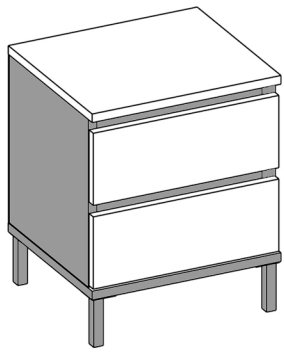
B0503

B0501

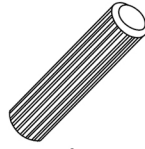
1



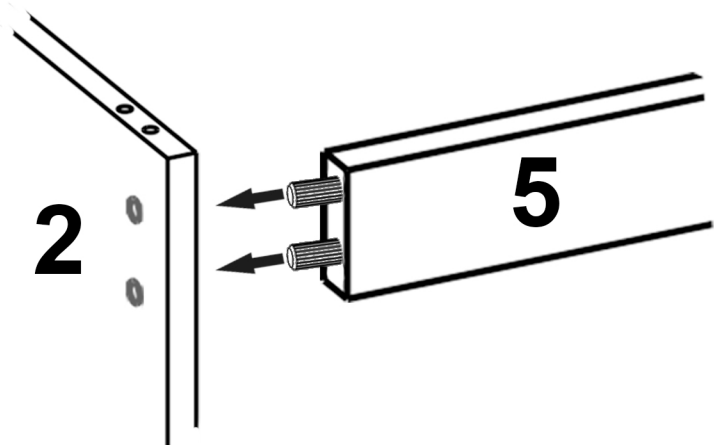
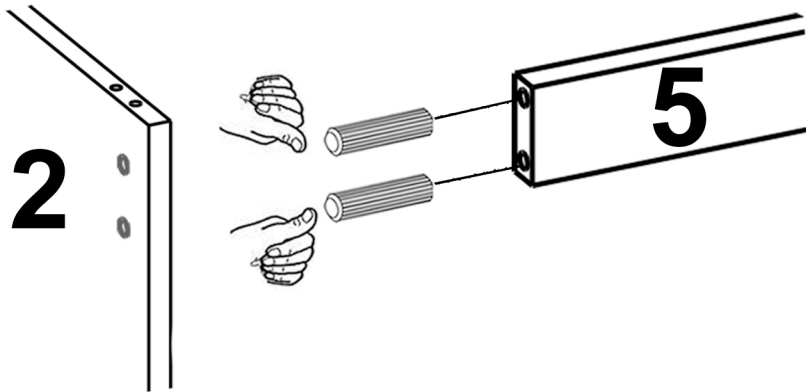
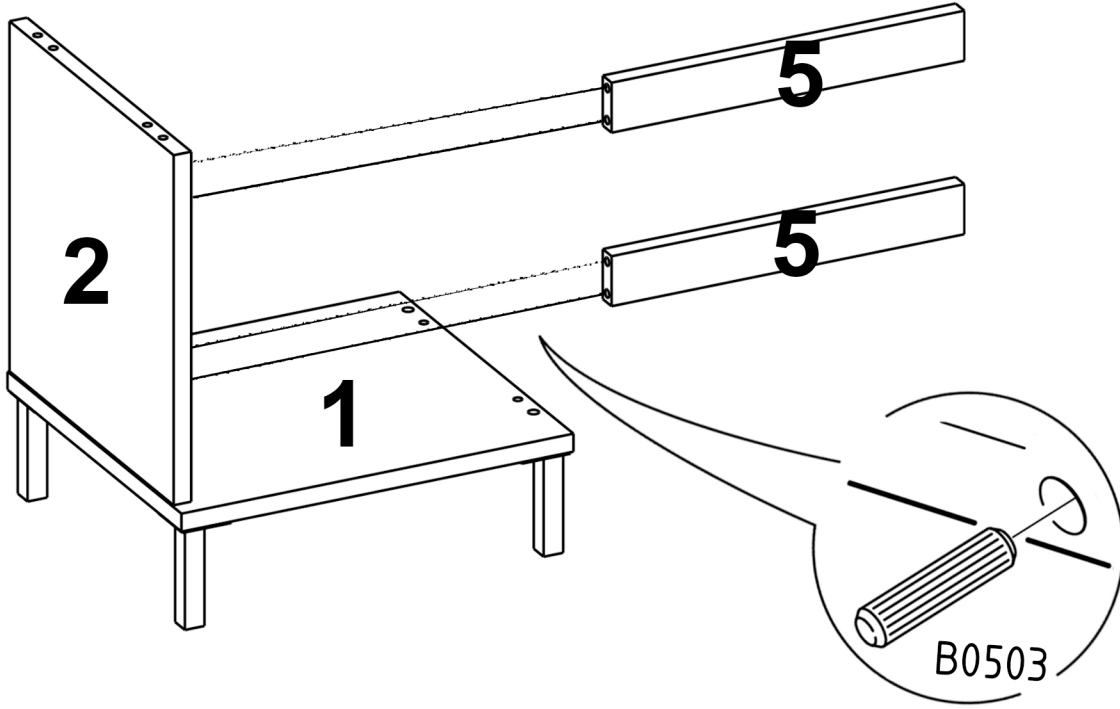
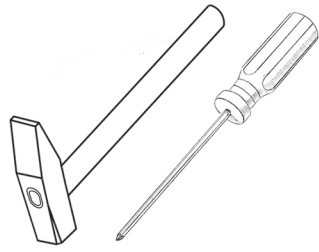
3

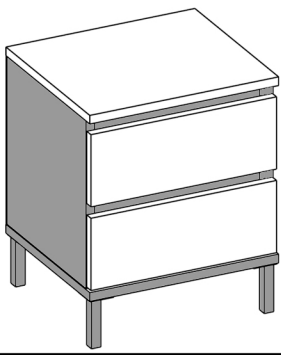


B0503



X4



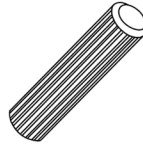


B0502



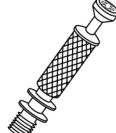
x2

B0503



x6

B0504

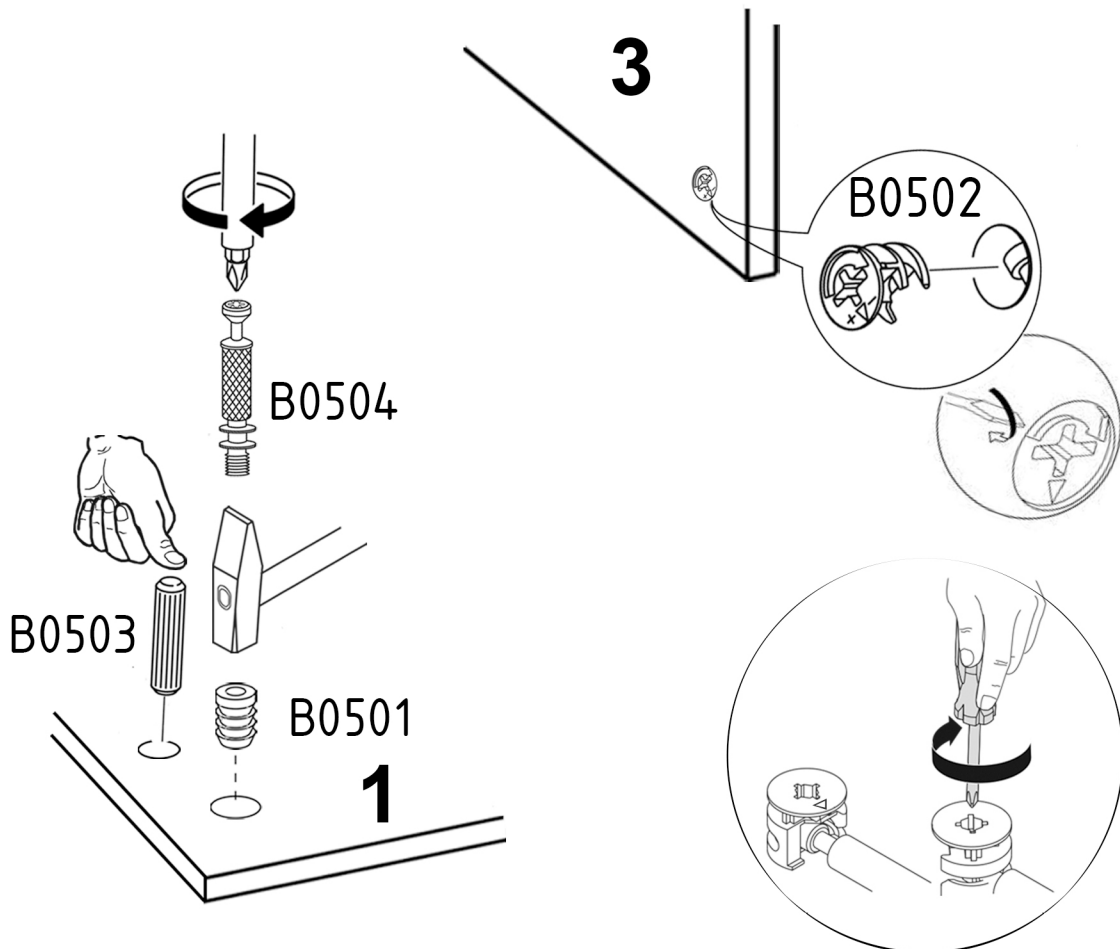
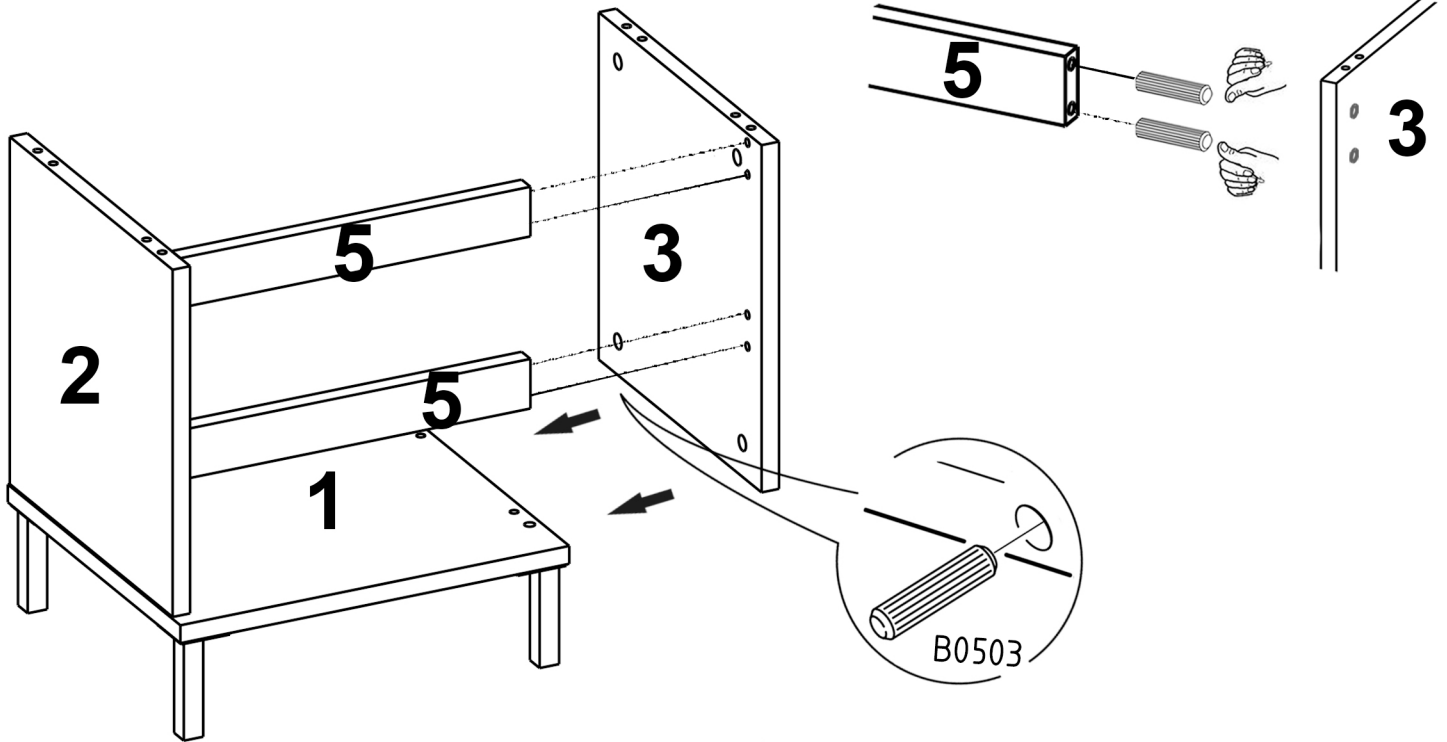
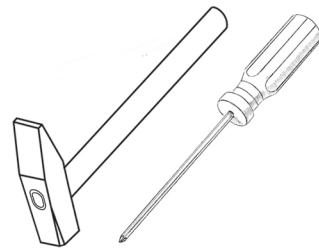


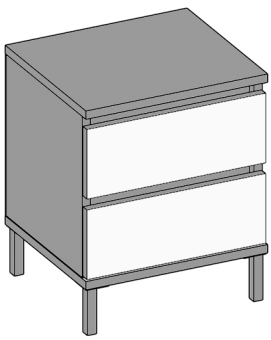
x2

B0501



x2



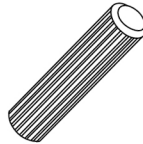


B0502



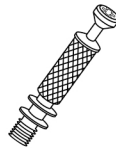
x4

B0503



x4

B0504

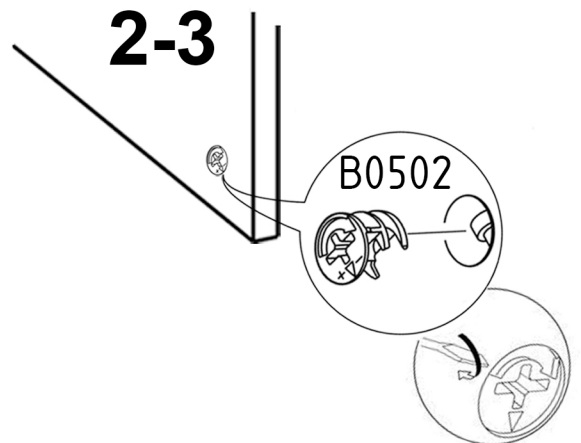
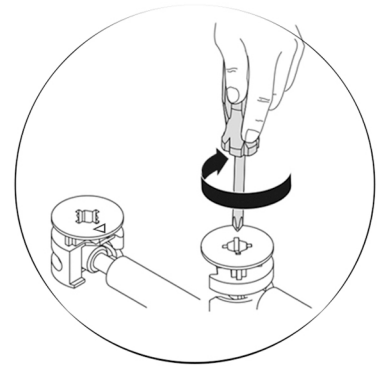
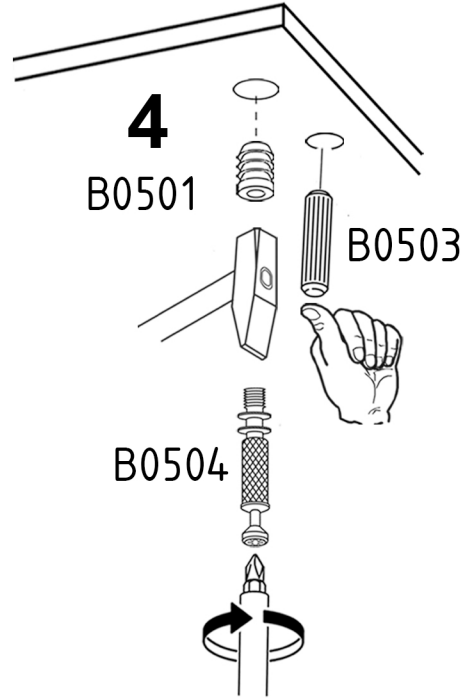
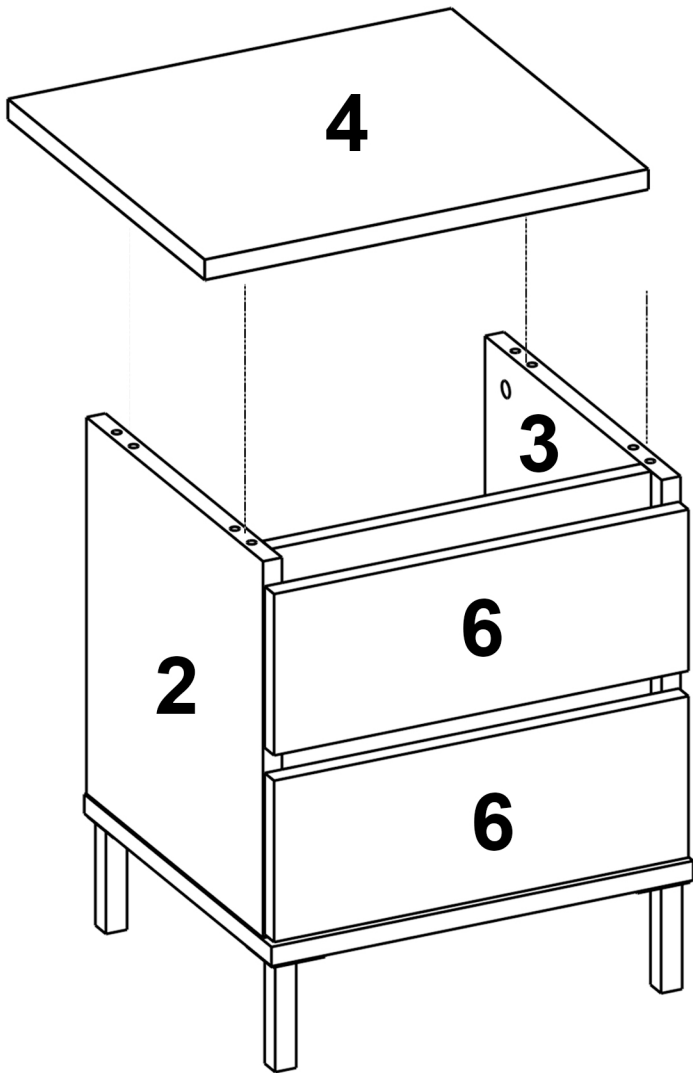
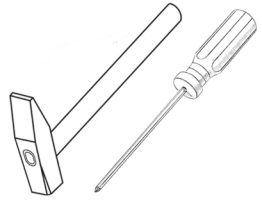


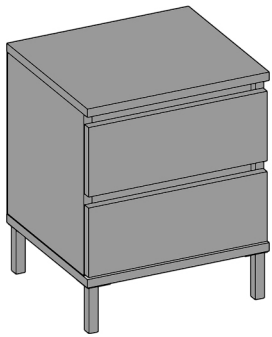
x4

B0501



x4





B0510

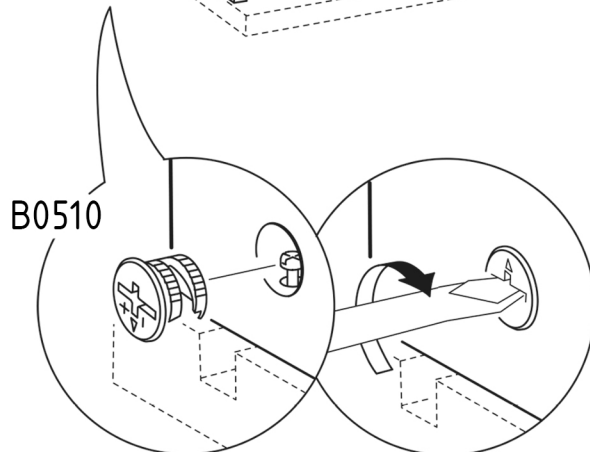
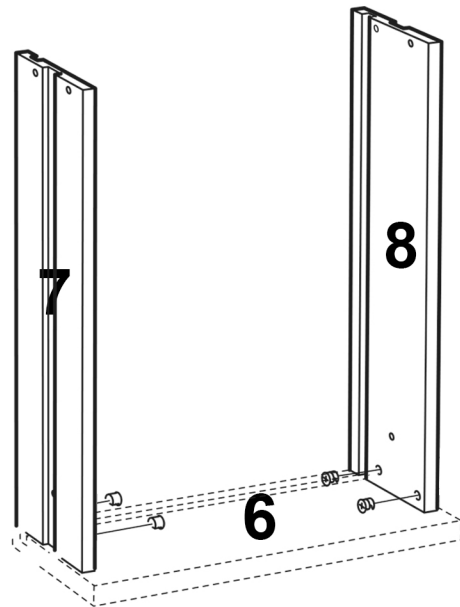
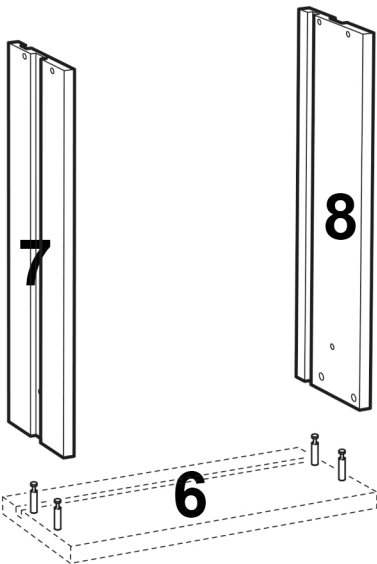
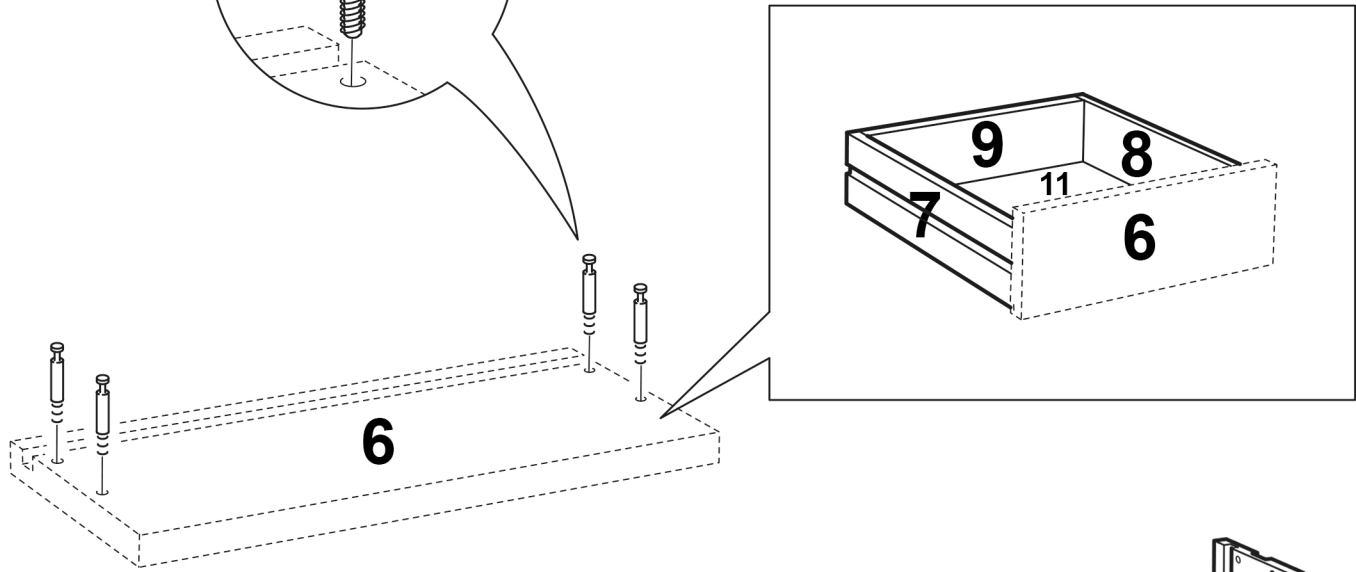
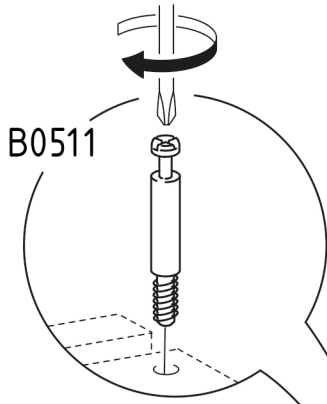
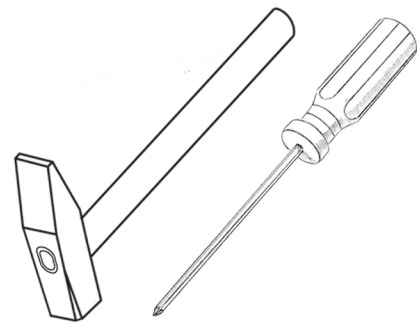


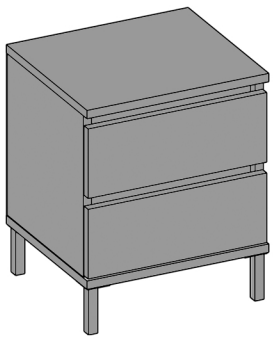
x8

B0511



x8





B0906



x4

B0304



x8

B0301



x8

B0328



x4

