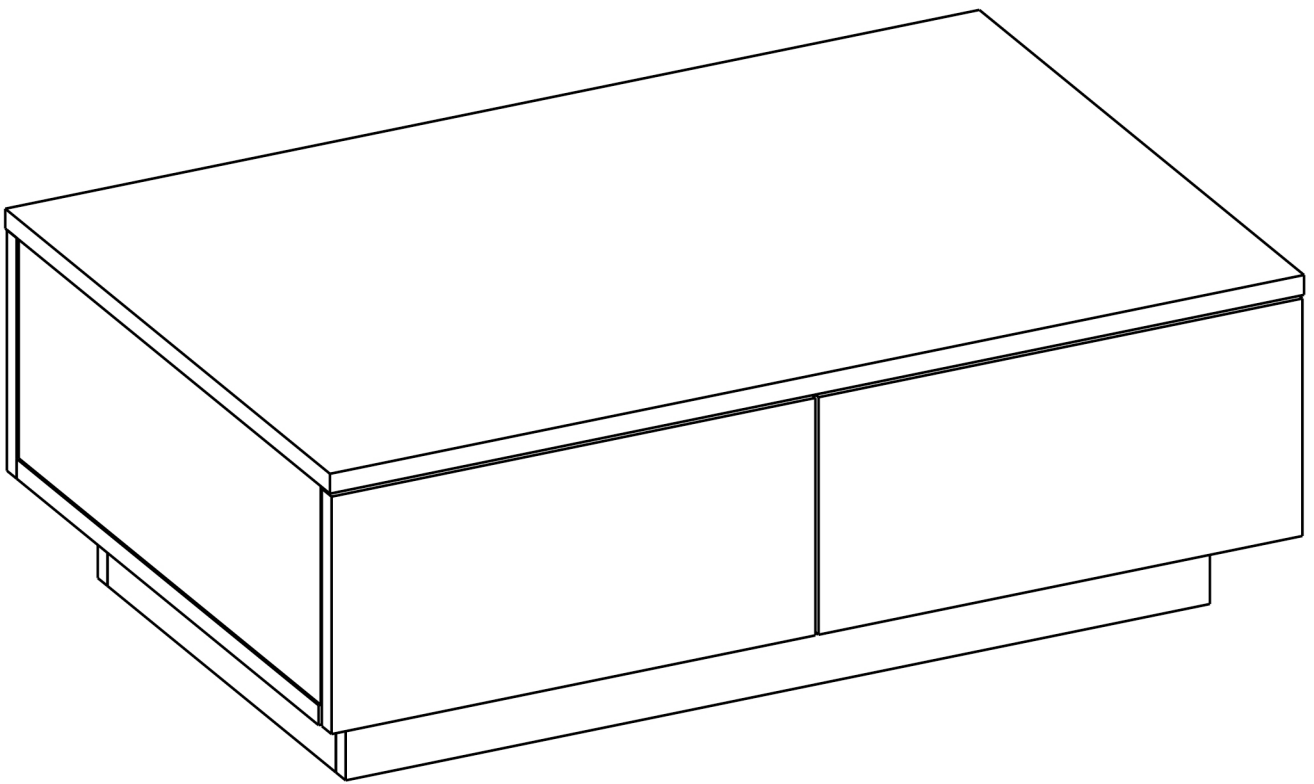
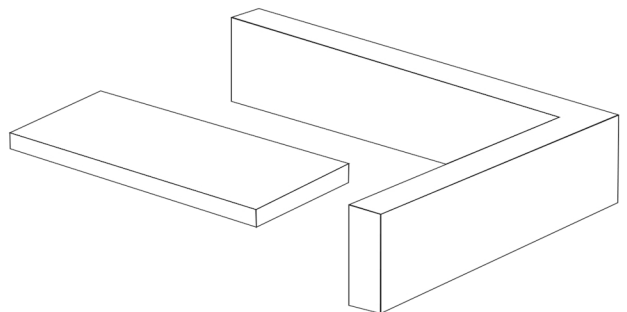
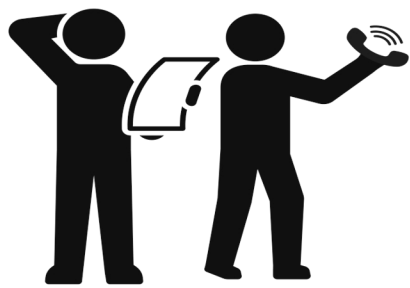
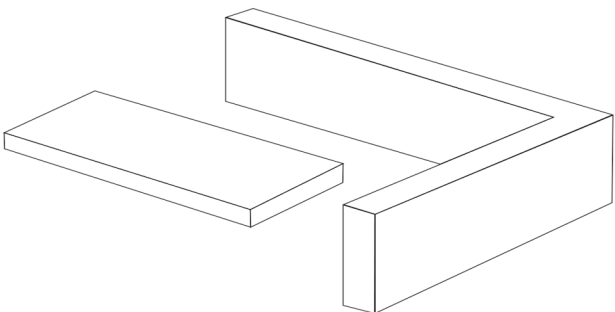
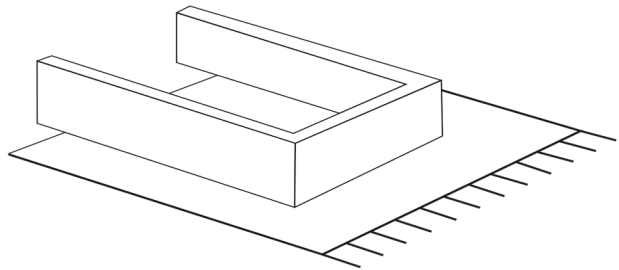
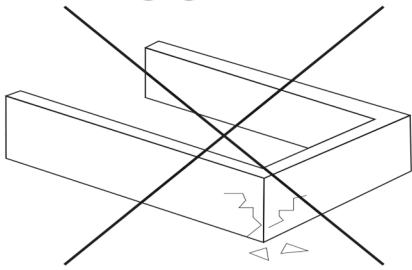
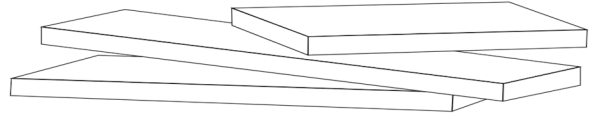
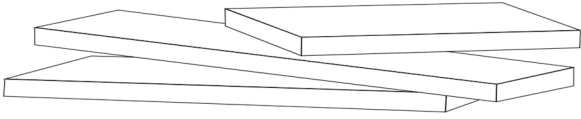
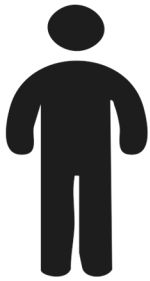


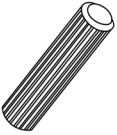


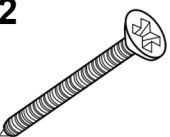
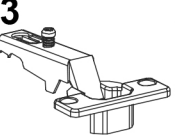
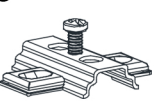
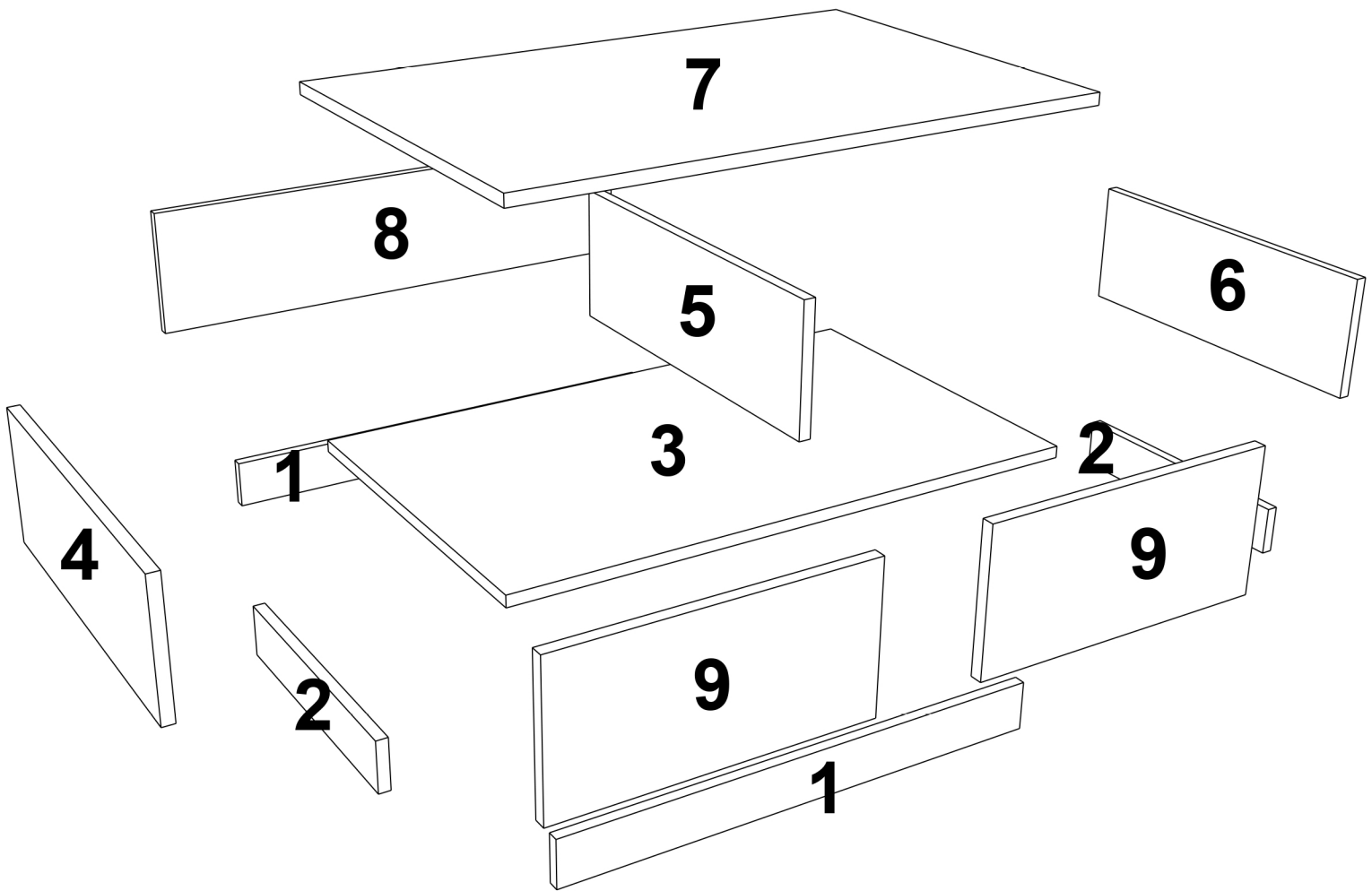


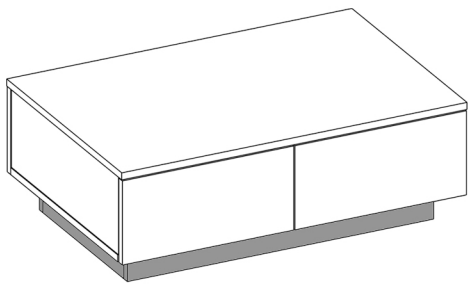
LV17



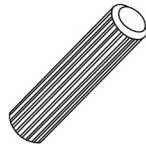


1  B0501 x21	1  B0502 x21	1  B0503 x29	1  B0504 x21	2  B0301 x17
2  B0304 x8	3  B0101 x4	3  B0105 x4		

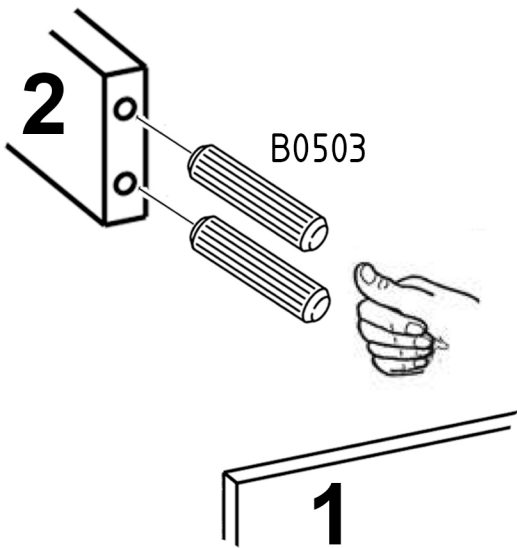
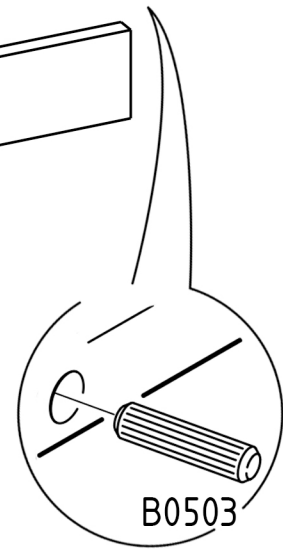
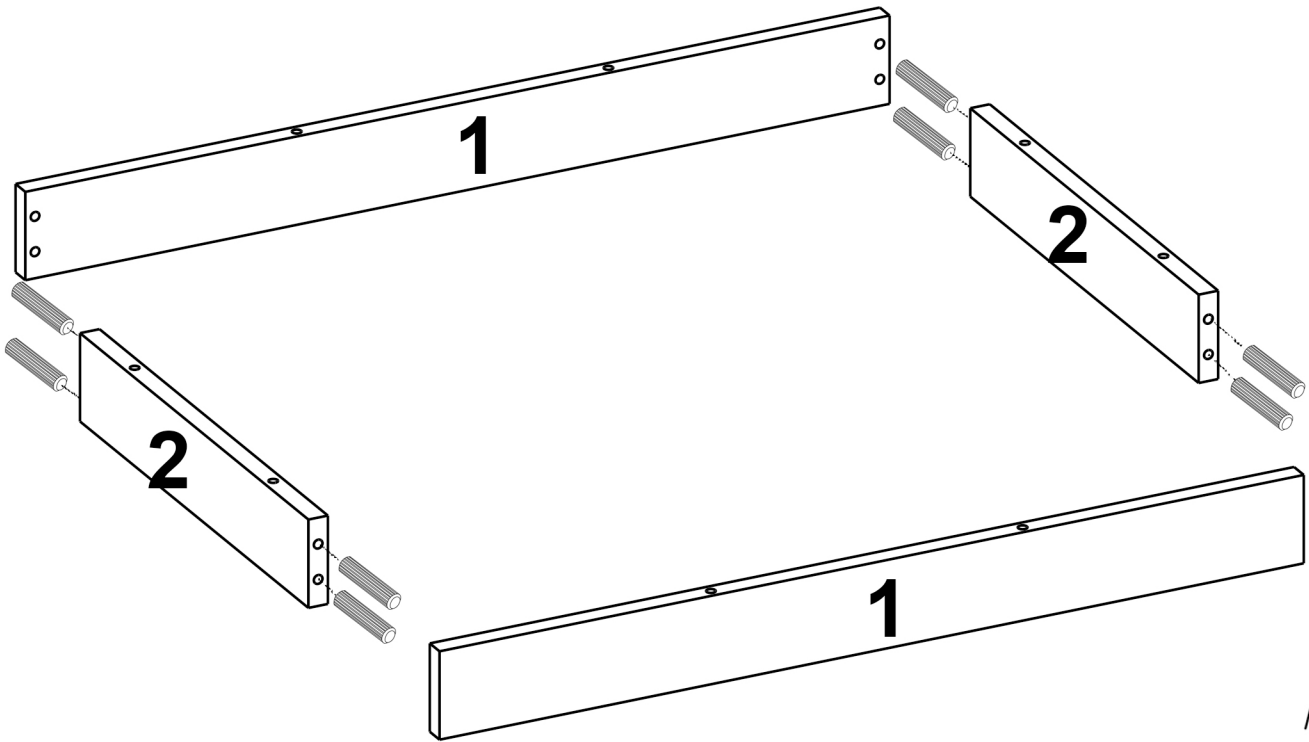
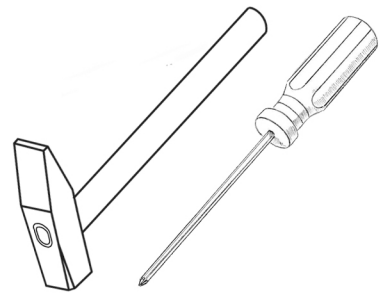


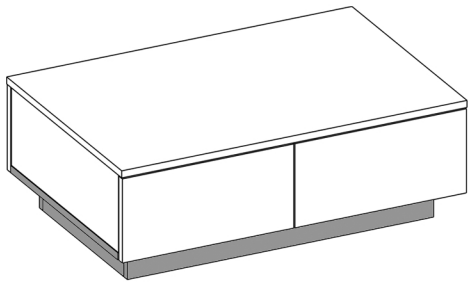


B0503

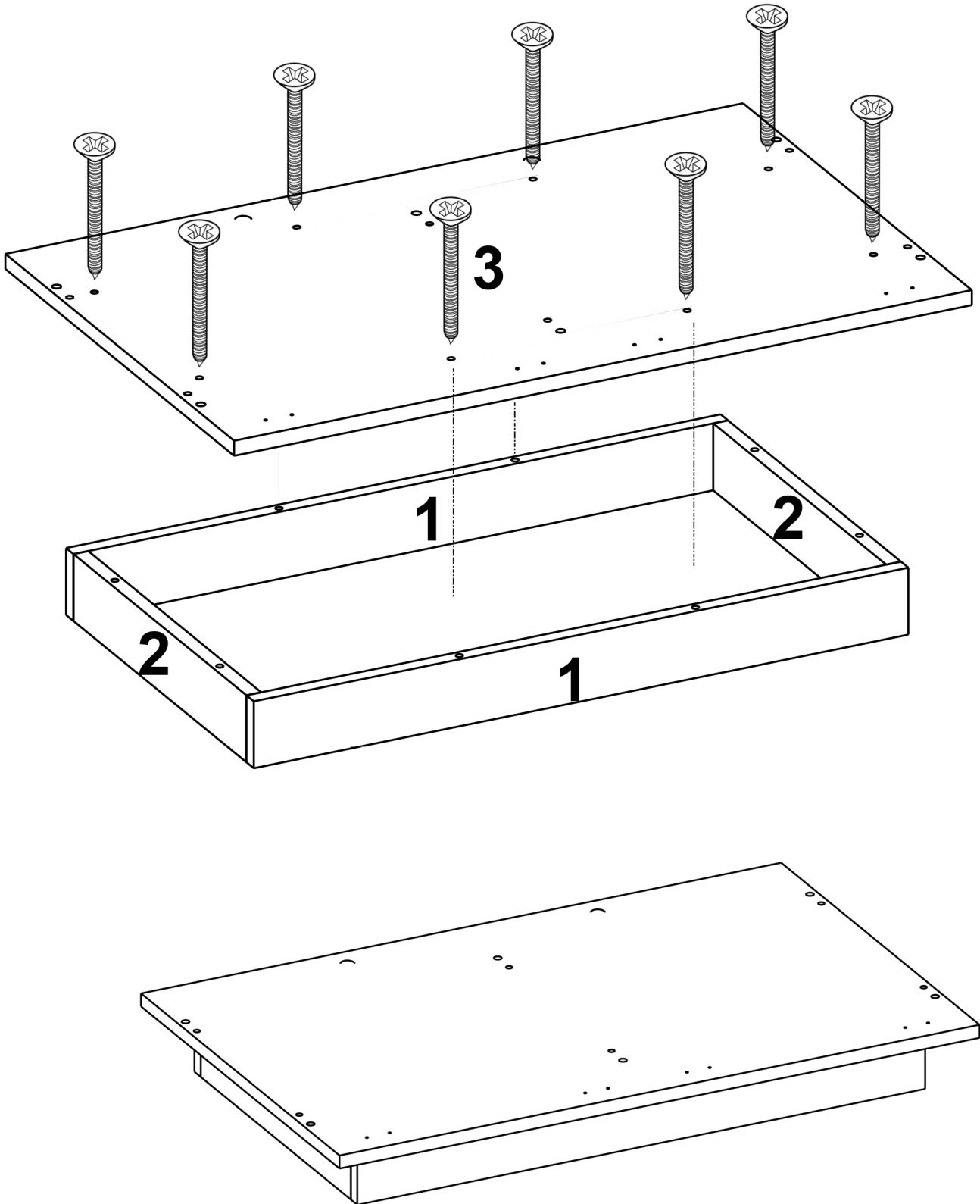
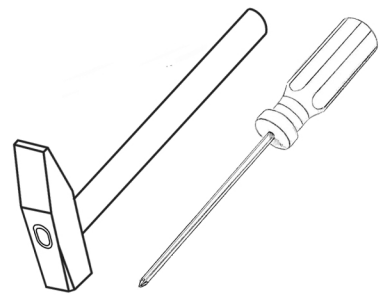


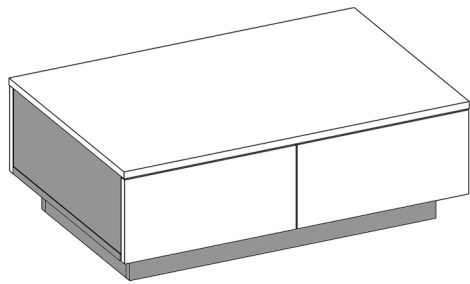
x8





B0304





B0502



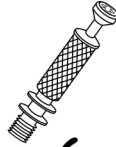
x6

B0503



x6

B0504

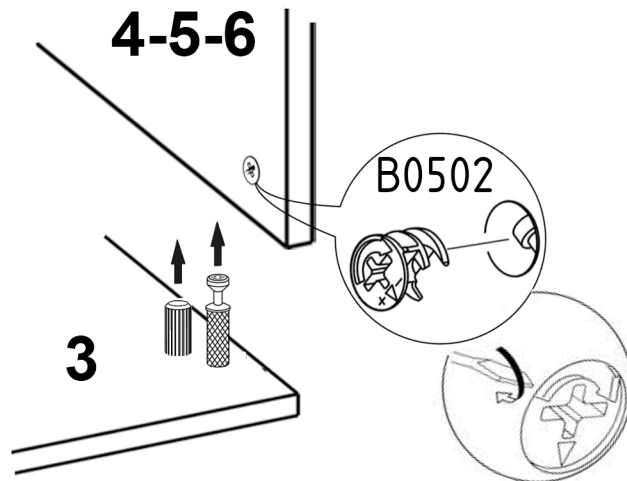
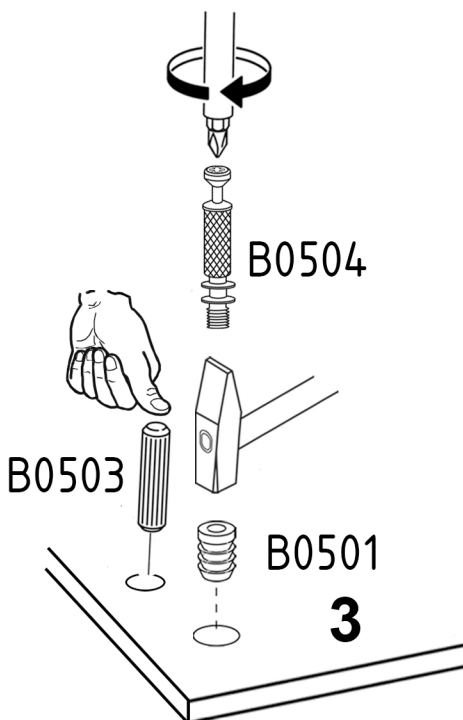
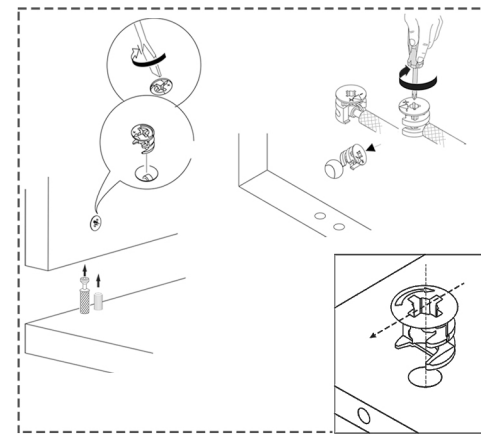
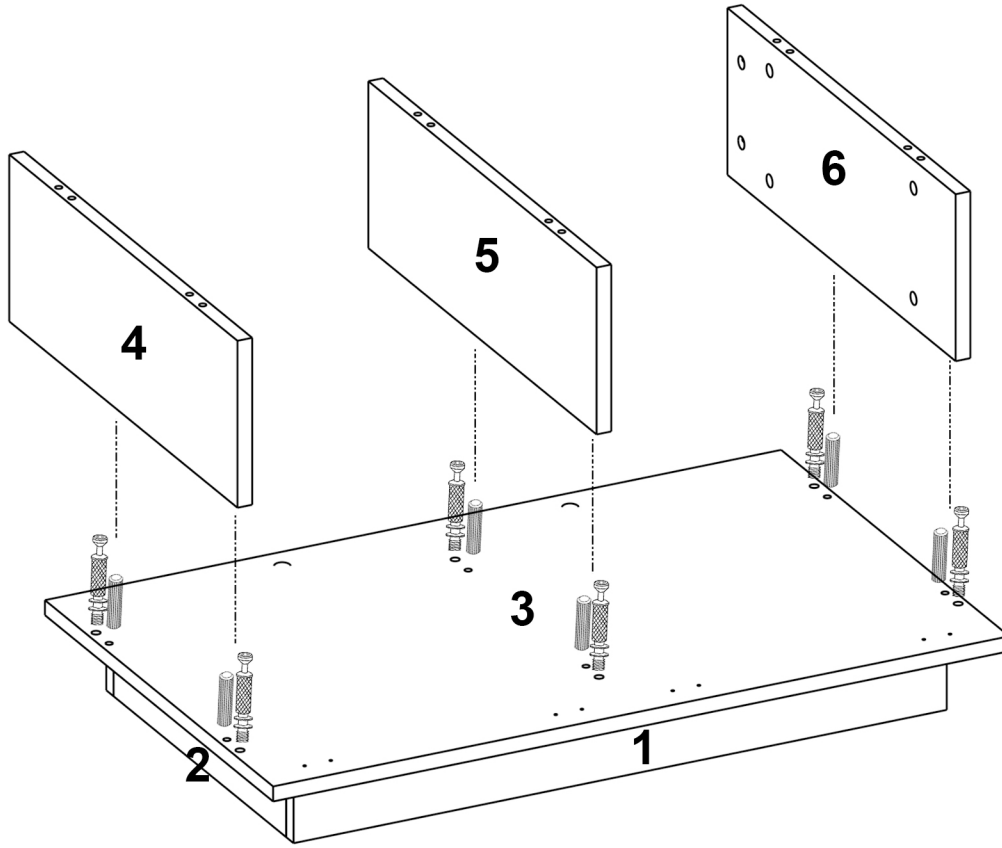
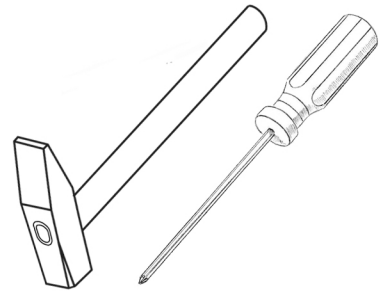


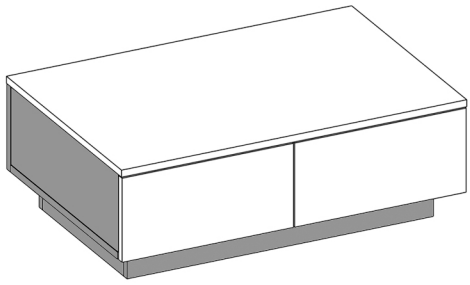
x6

B0501



x6



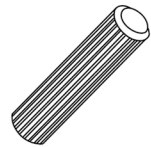


B0502



x6

B0503



x6

B0504

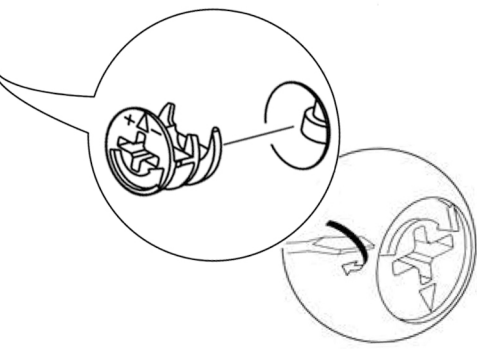
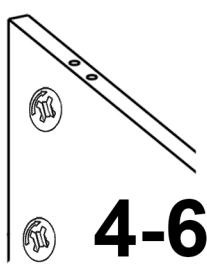
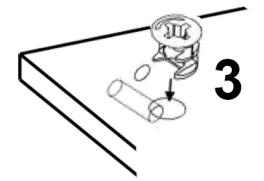
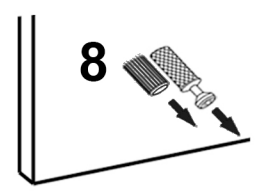
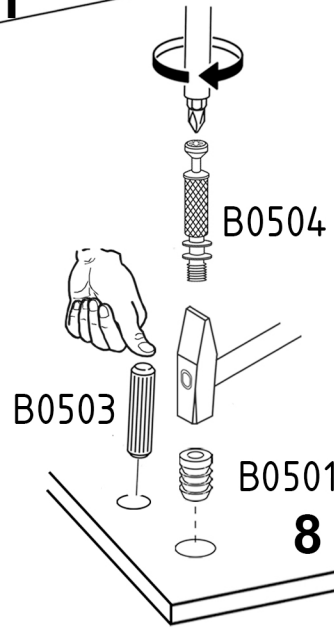
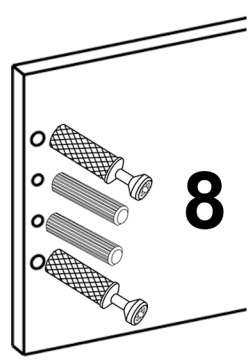
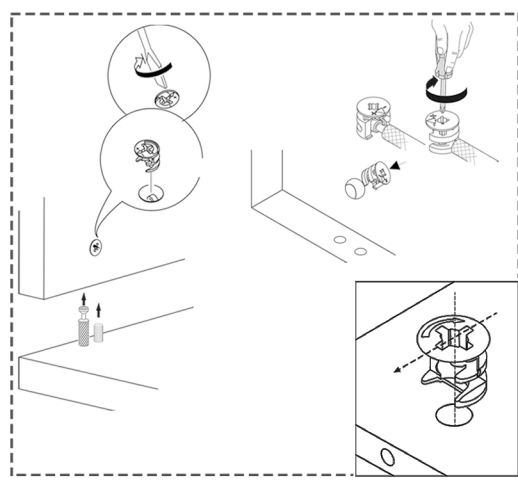
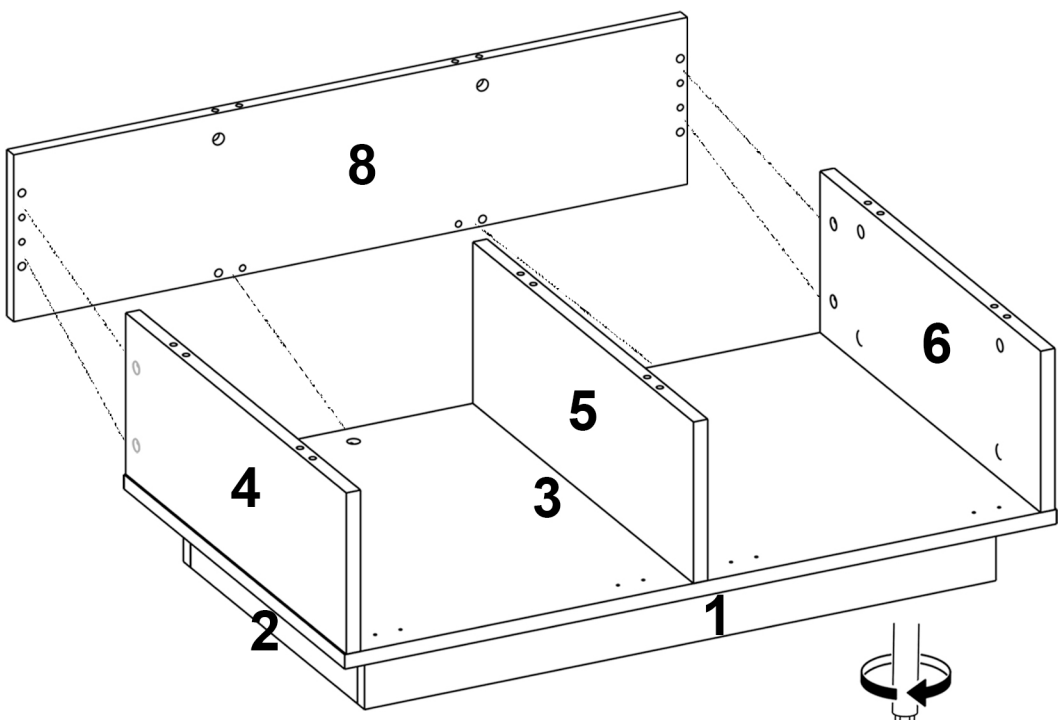
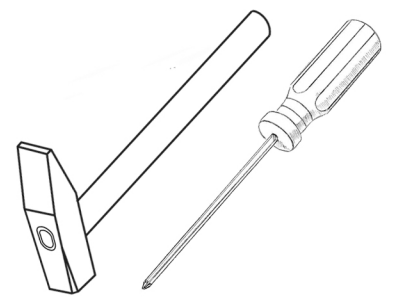


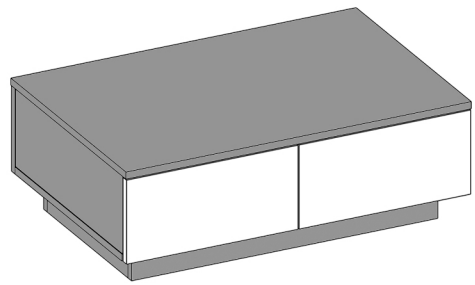
x6

B0501



x6



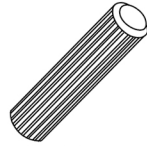


B0502



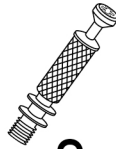
x8

B0503



x8

B0504

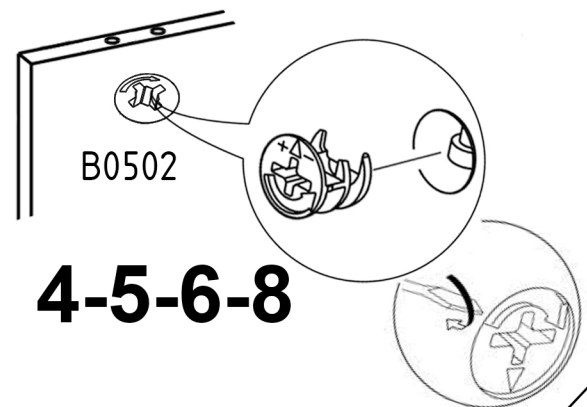
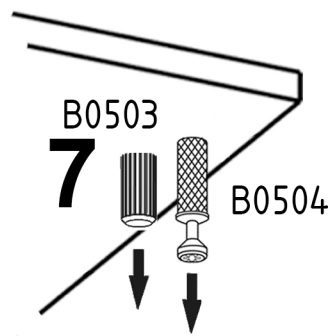
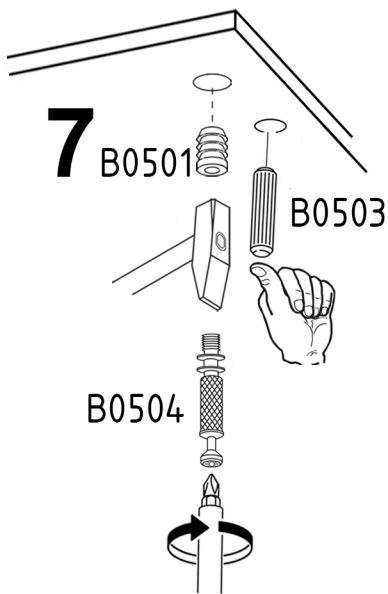
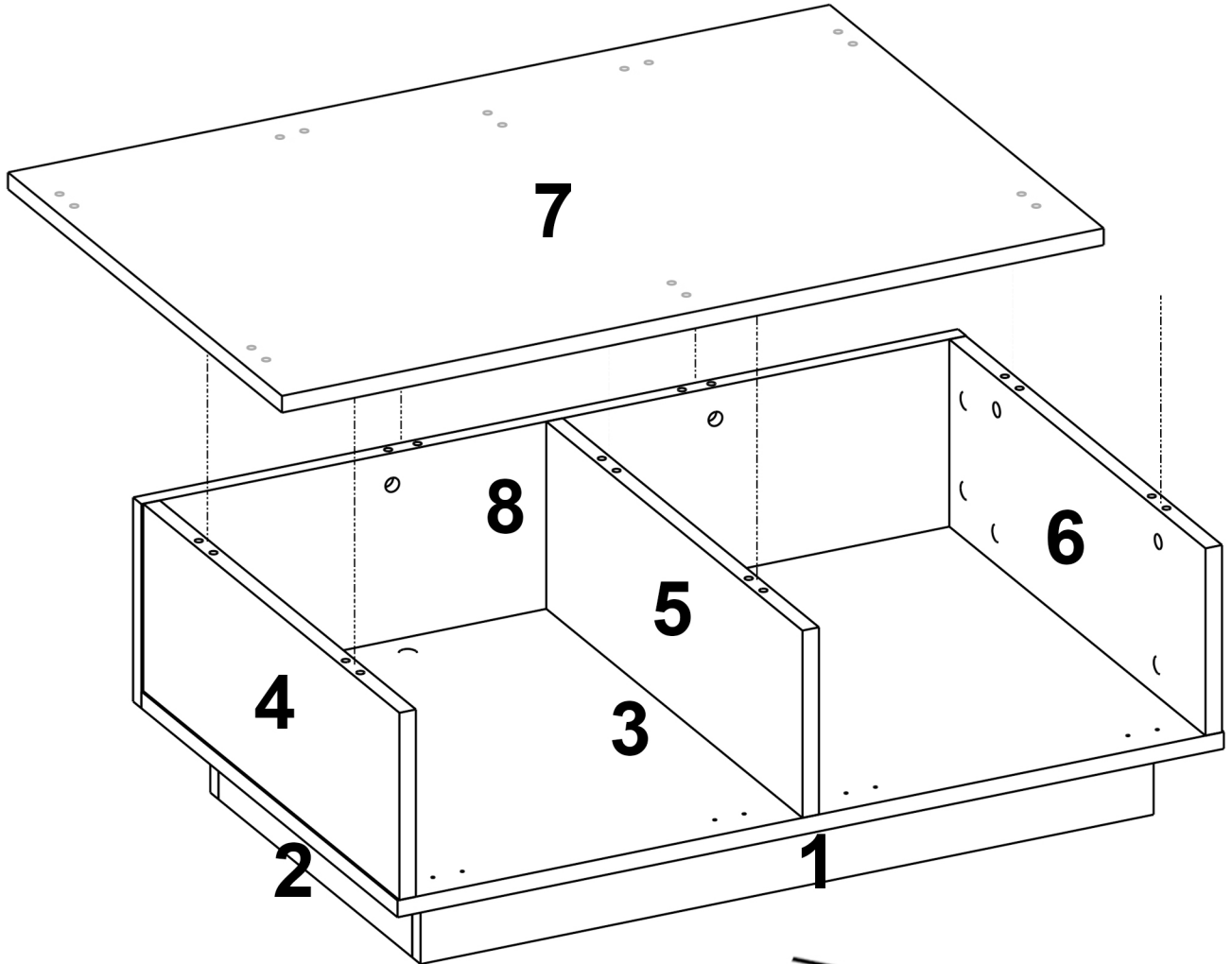
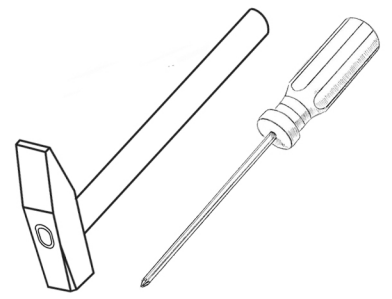


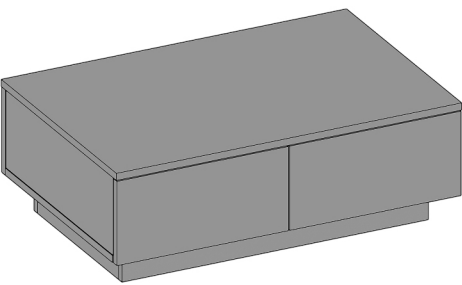
x8

B0501

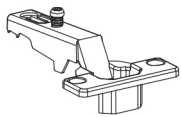


x8



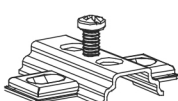


B0101



x4

B0105



x4

B0301



x16

