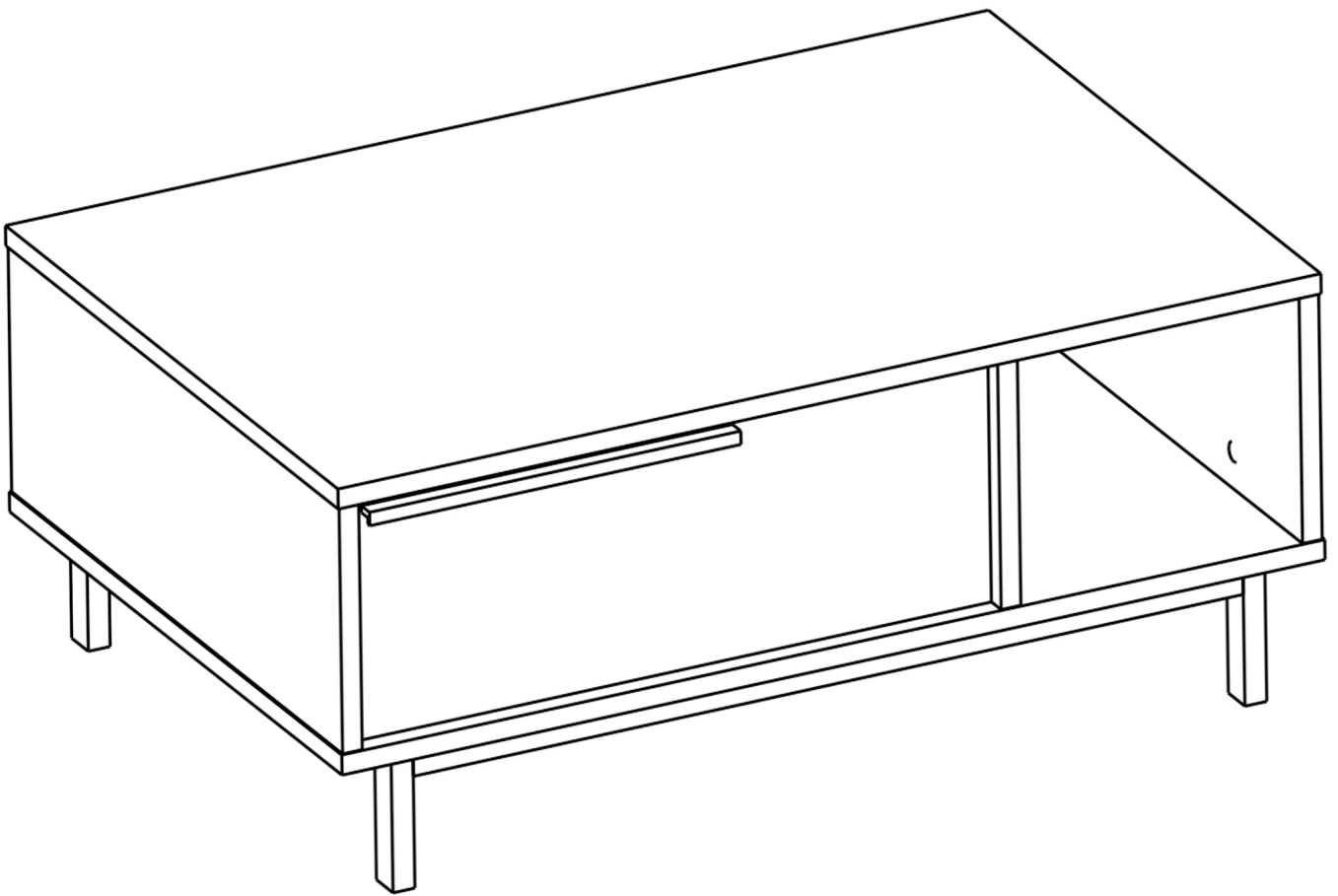
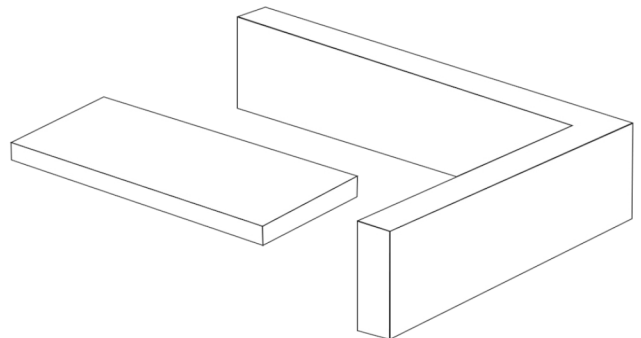
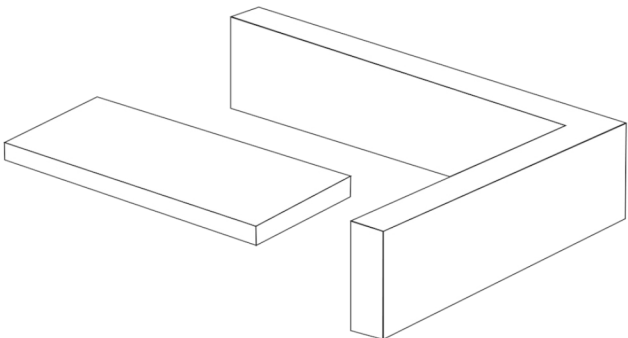
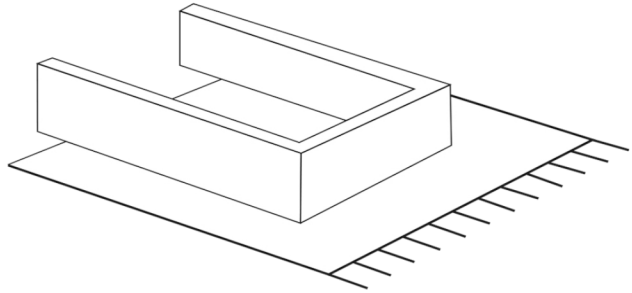
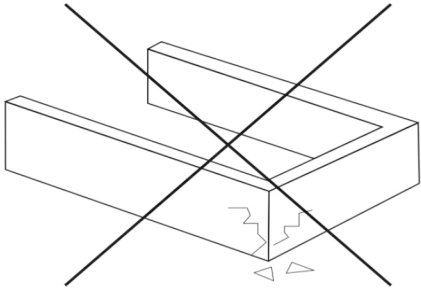
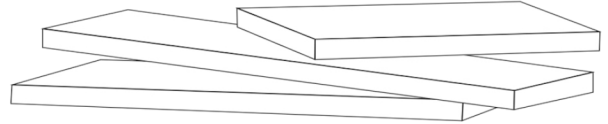
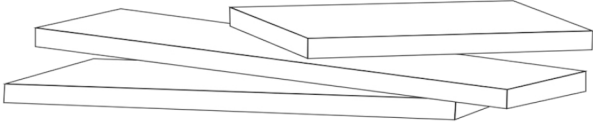
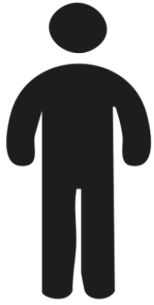


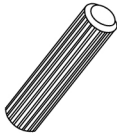




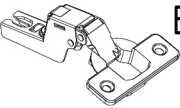
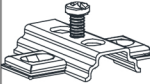

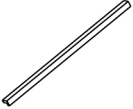

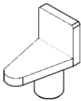
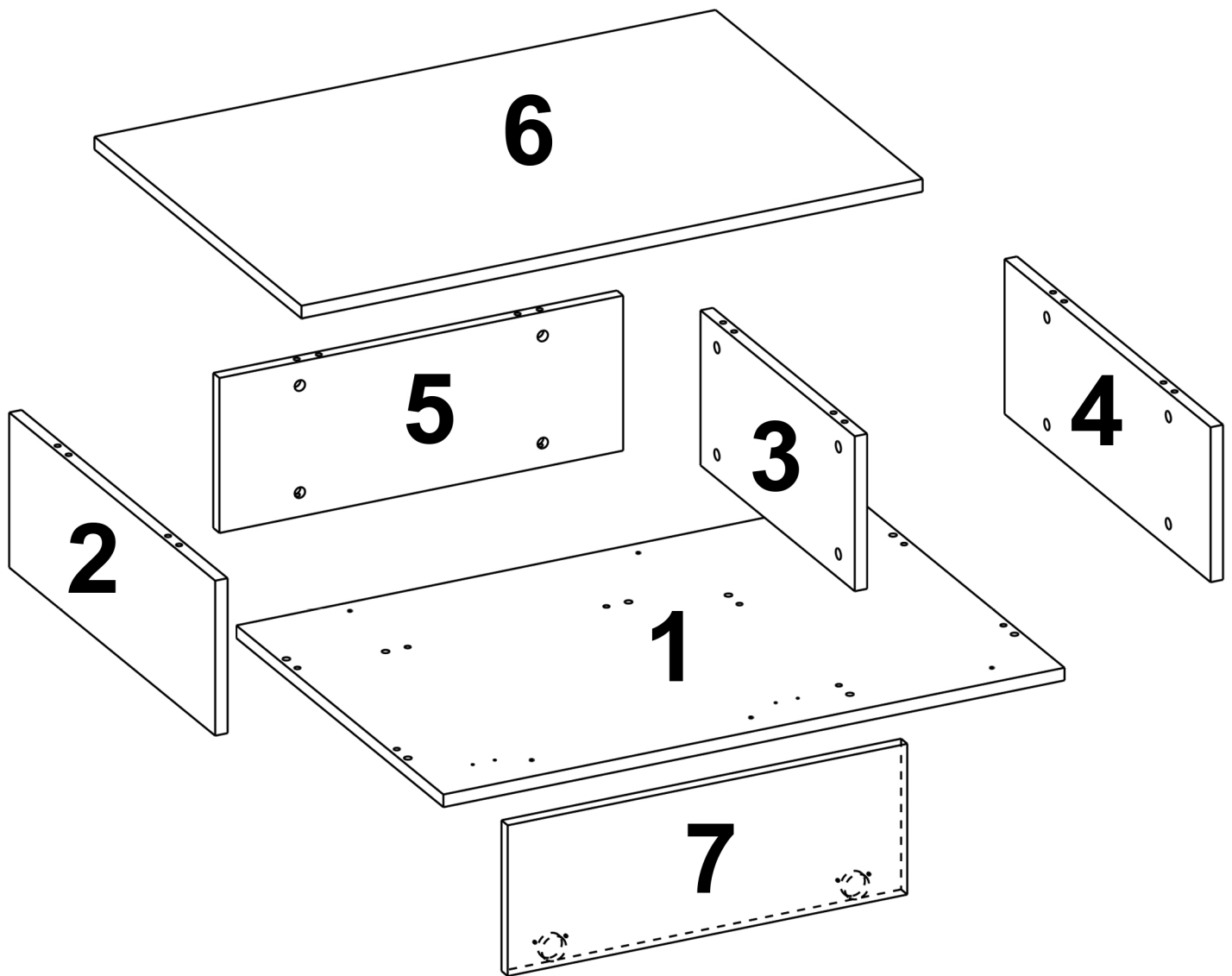


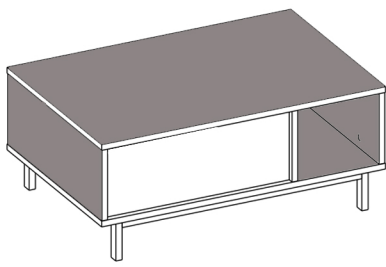
ON2





 B0501 x16	 B0502 x16	 B0503 x16	 B0504 x16	 B0301 x8
 B1702 x4	 D0805 x2	 B0103 x2	 B0105 x2	 B0307 x2
 B0203 x1	 B0324 x6	 B0509 x1		





B0502

B0503

B0504

B0501

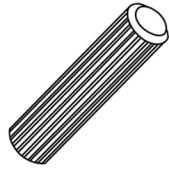
B0324

D0805

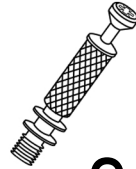
B1702



x8



x8



x8



x8



x6

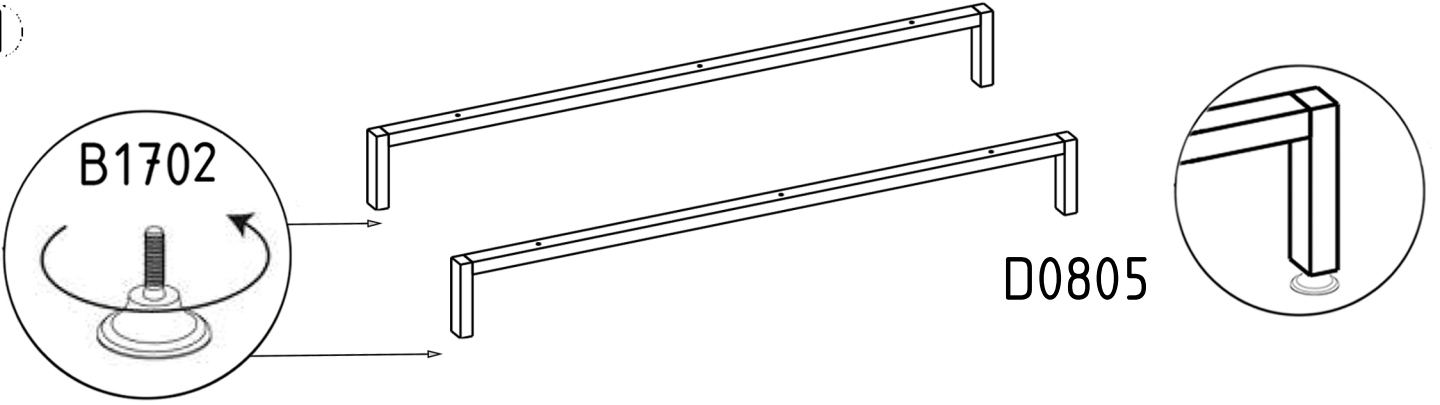


x2

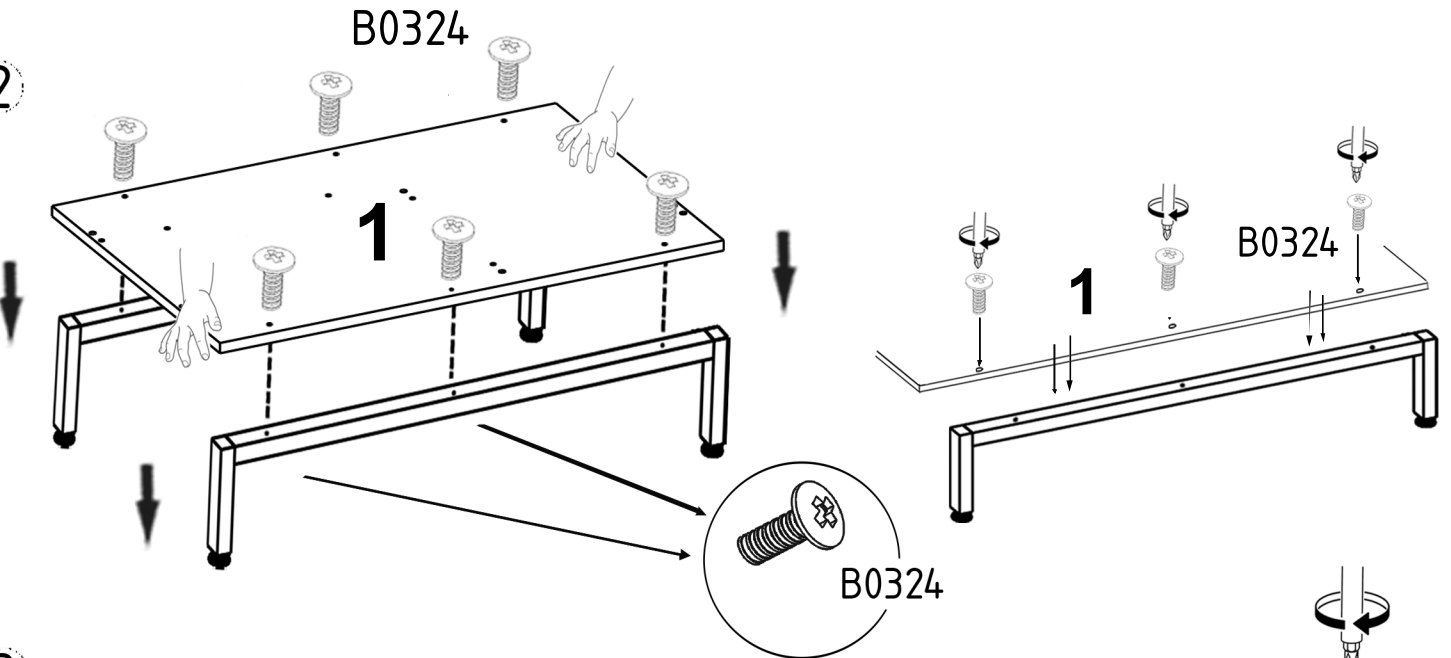


x4

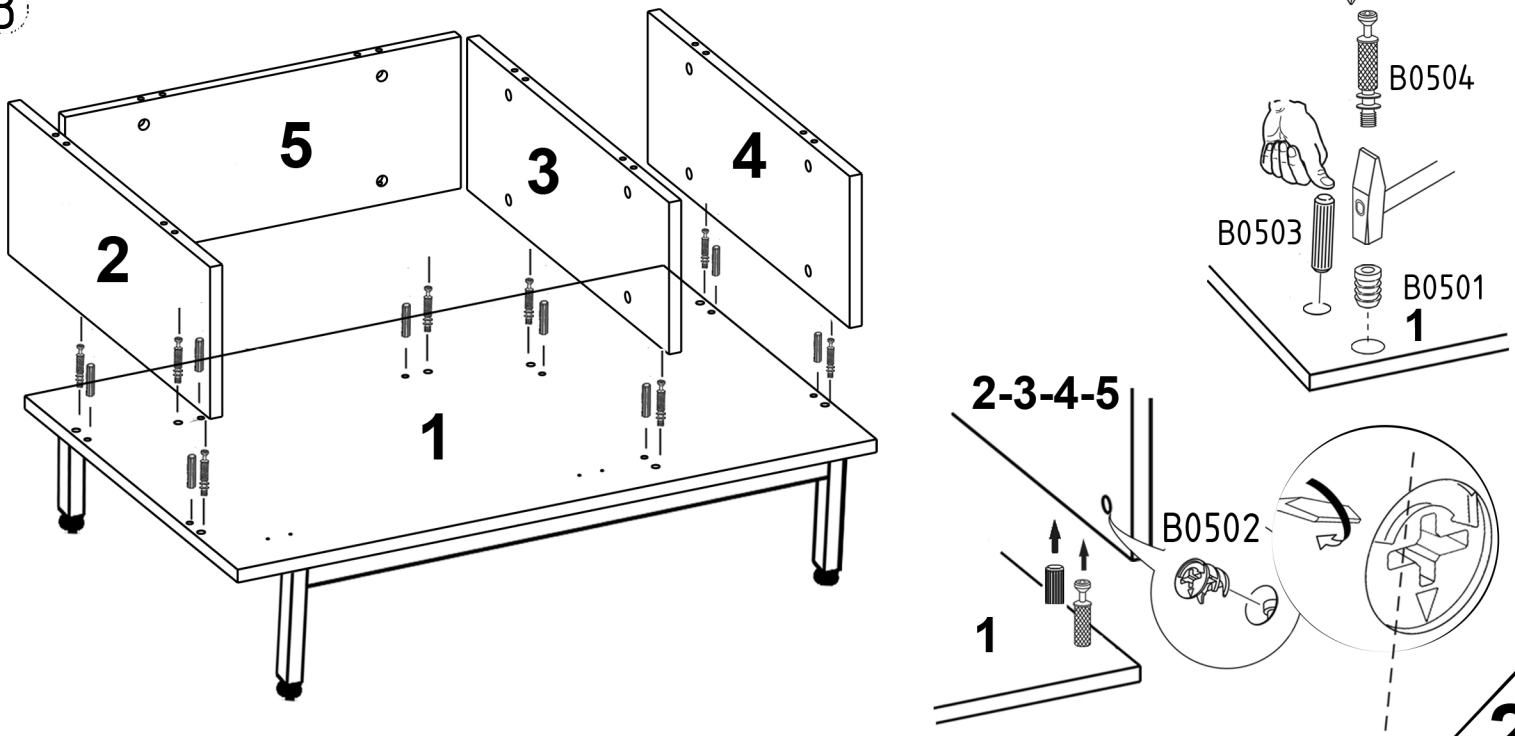
1



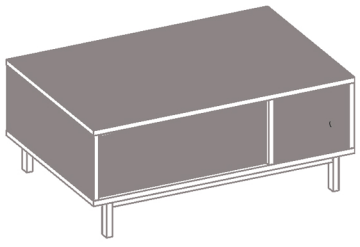
2


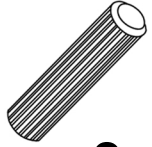
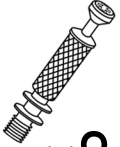


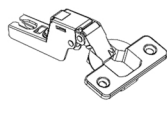
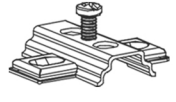
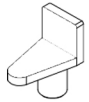


3

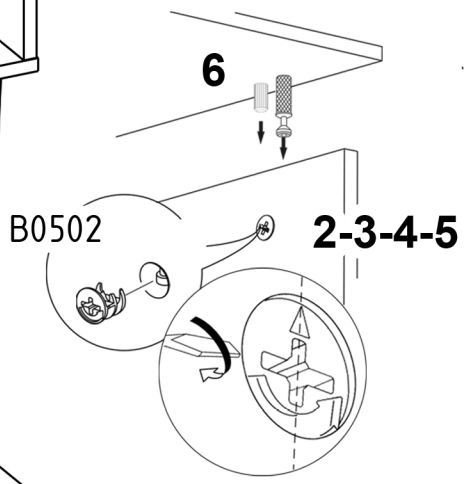
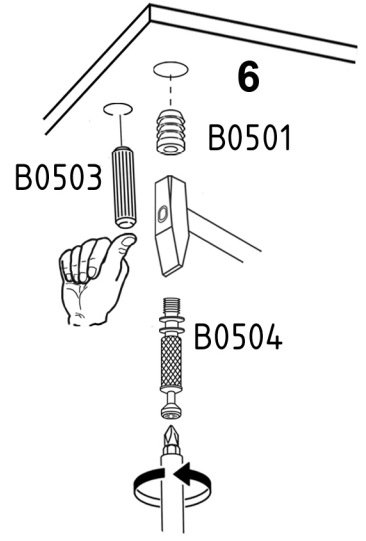
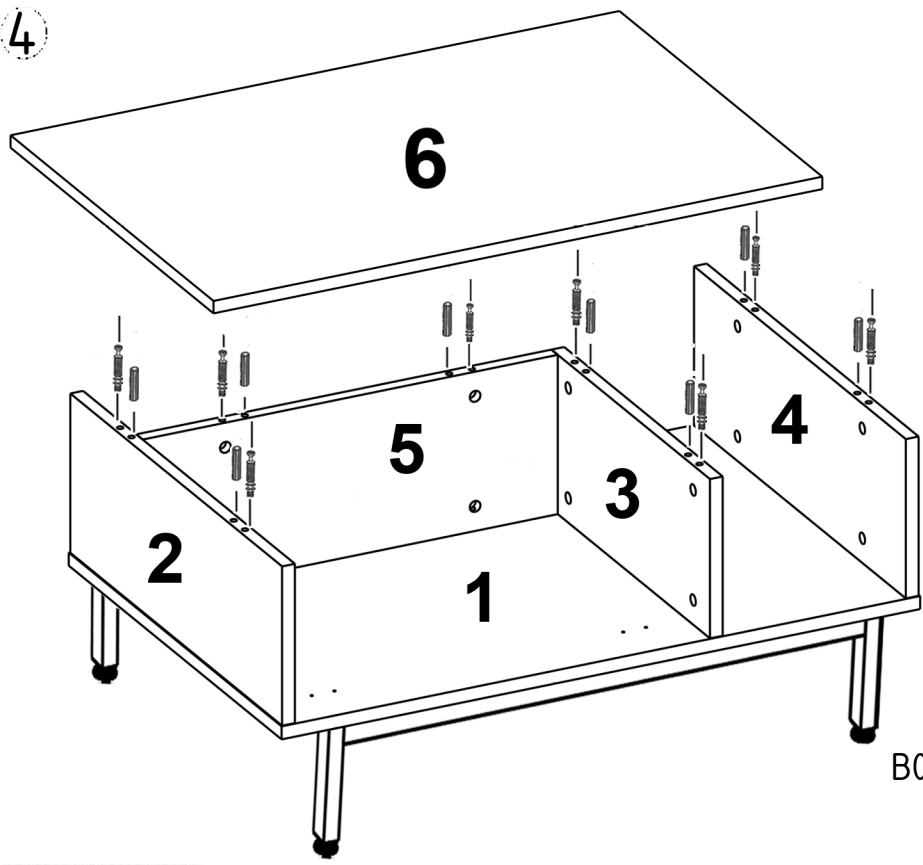


2

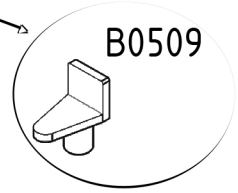
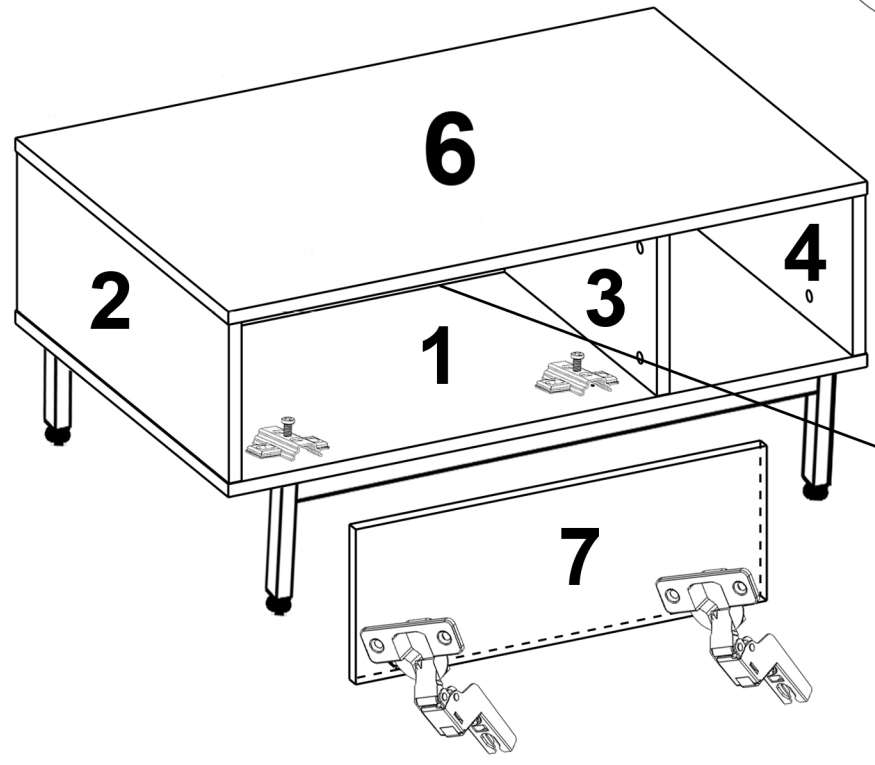


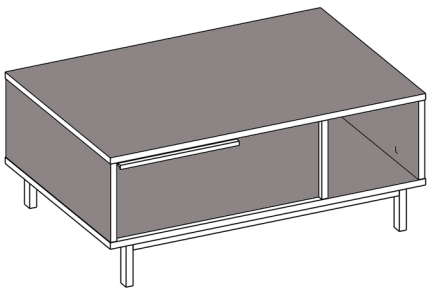
- B0502

x8
- B0503

x8
- B0504

x8
- B0501

x8
- B0301

x8
- B0103

x2
- B0105

x2
- B0509

x1

4

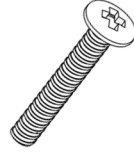


5





B0307

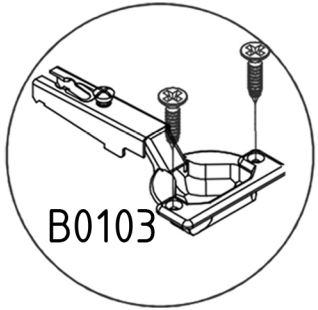
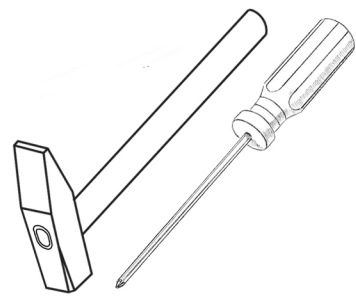


x2

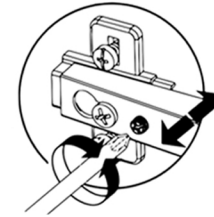
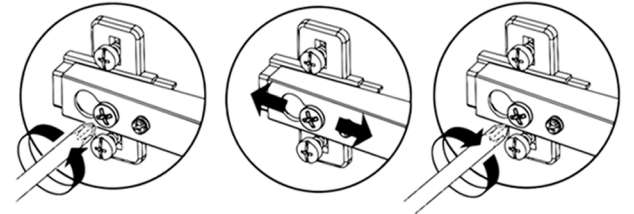
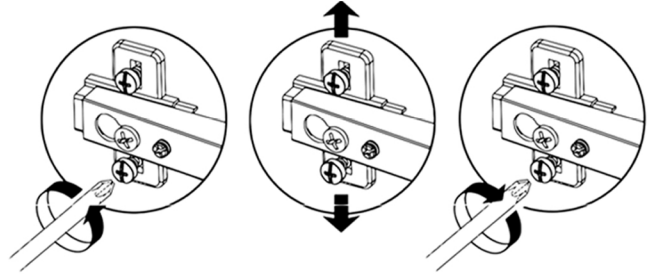
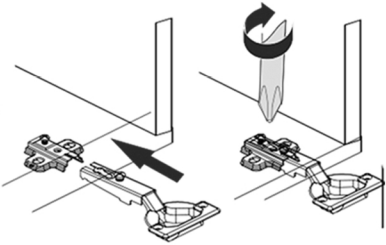
B0203



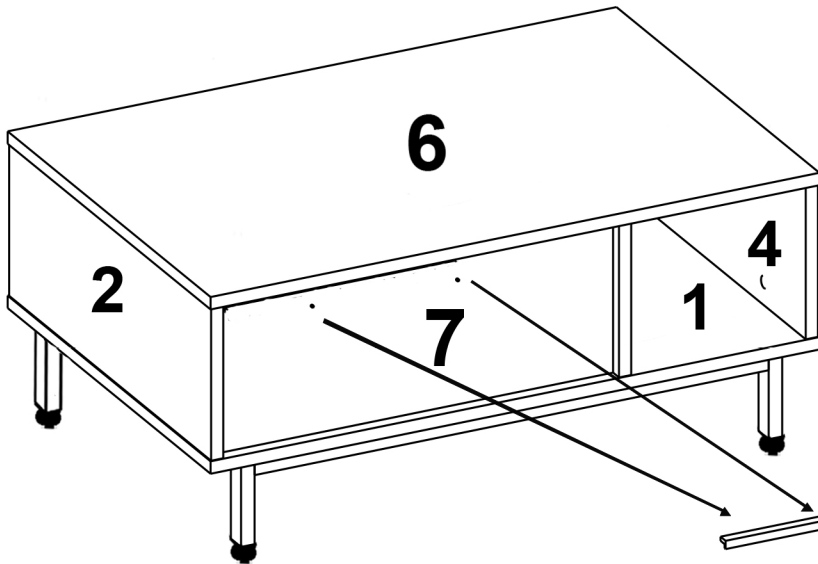
x1



B0103



6



B0203



B0307

