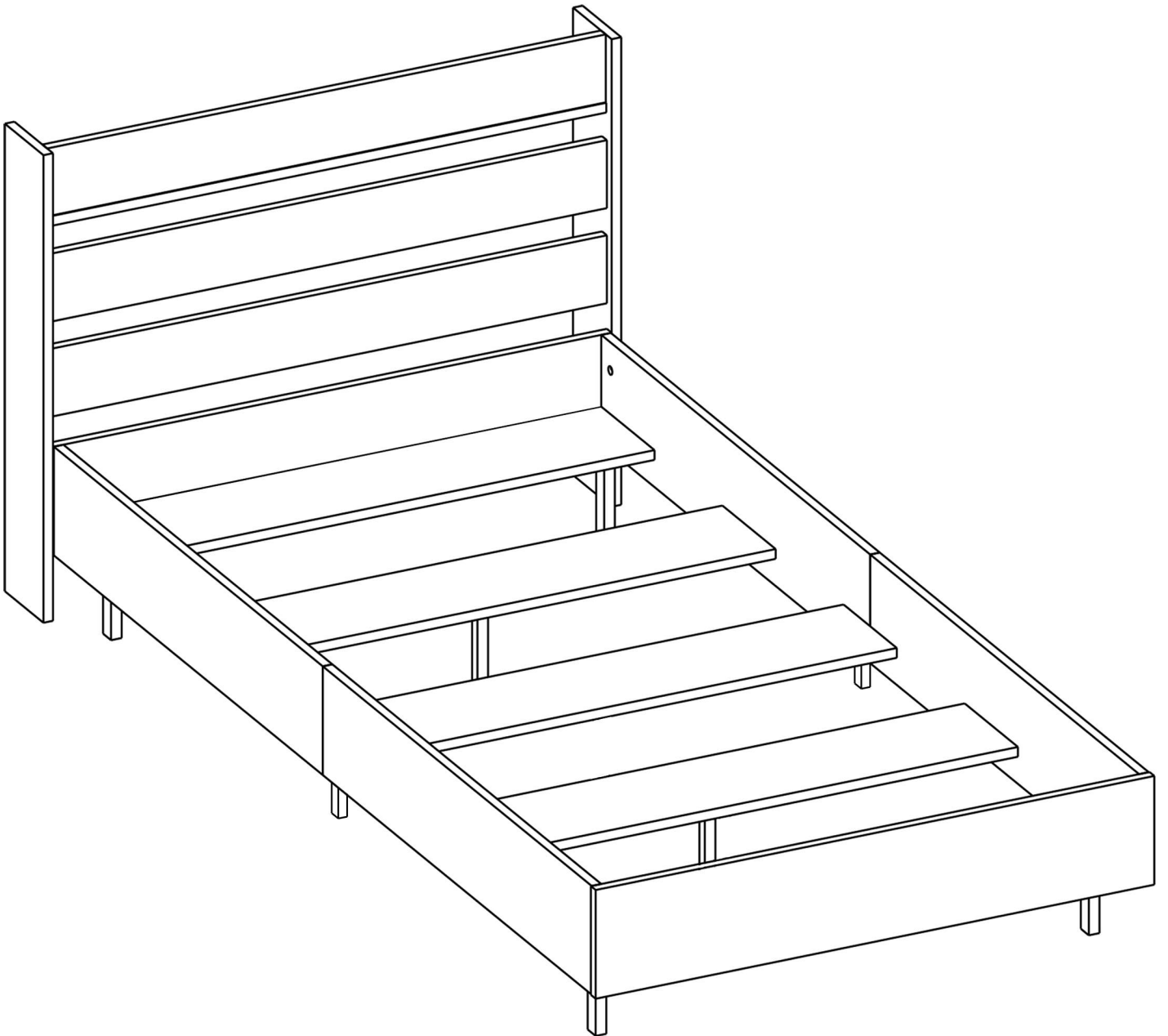
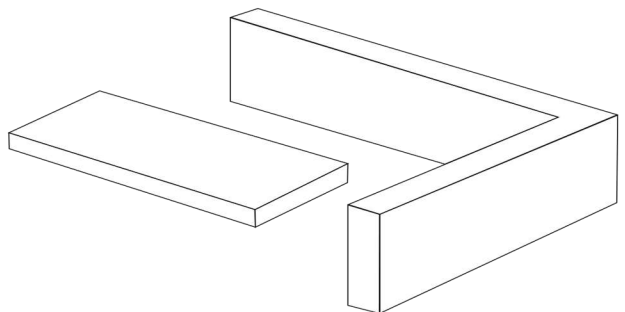
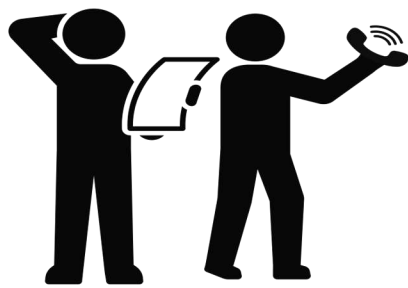
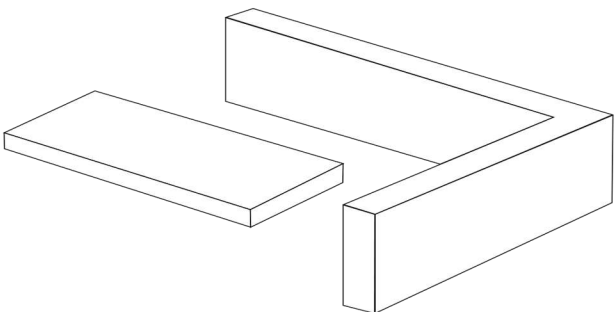
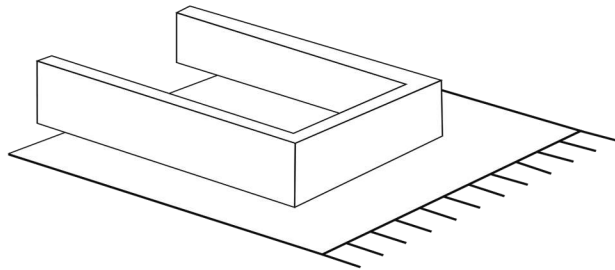
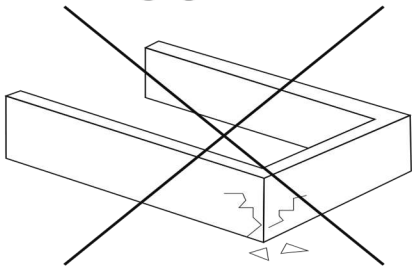
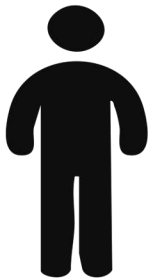
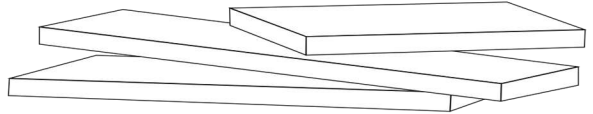
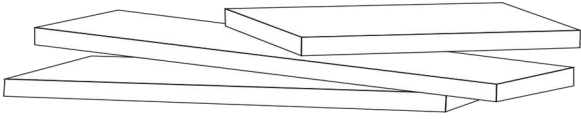


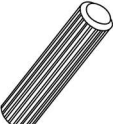







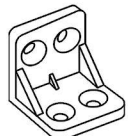
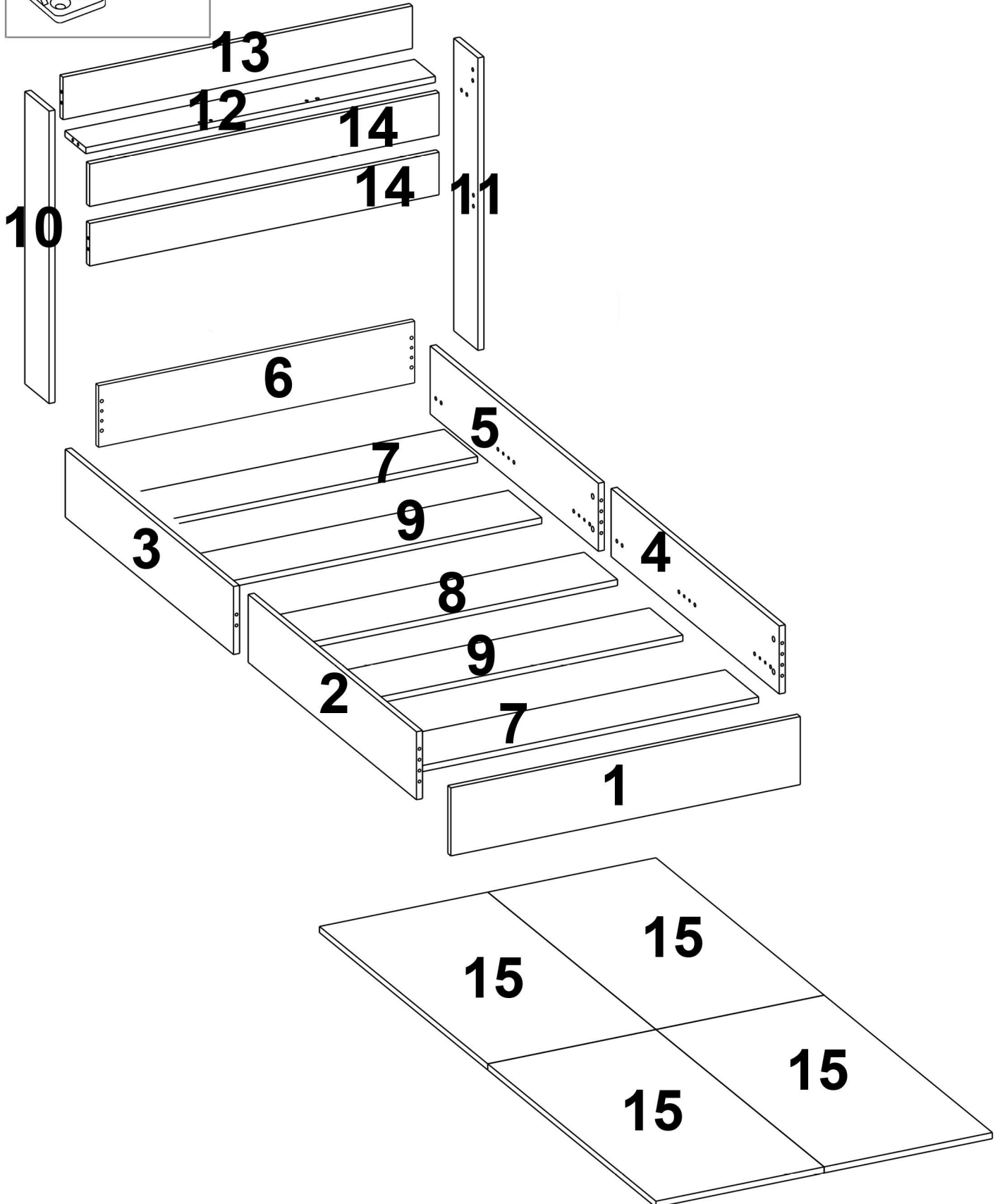


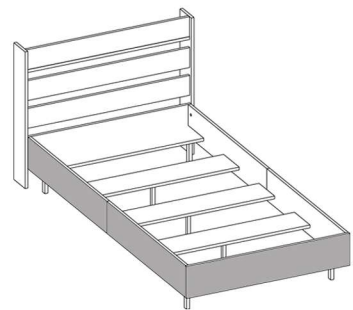
# ON13





	B0501 x54		B0502 x62		B0503 x34		B0504 x54		B0301 x20
	B0324 x12		B1702 x8		D0806 x3		D0801 x2		B0505 x4
	B1301 x4								





B0501 B0502 B0503 B0504 B0505



x2



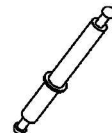
x6



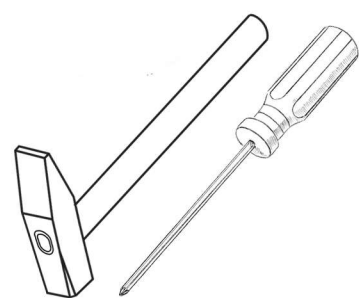
x4



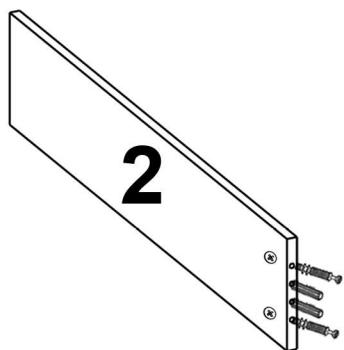
x2



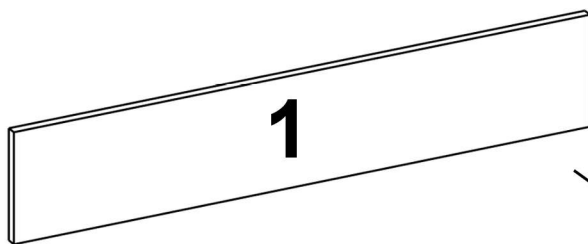
x2



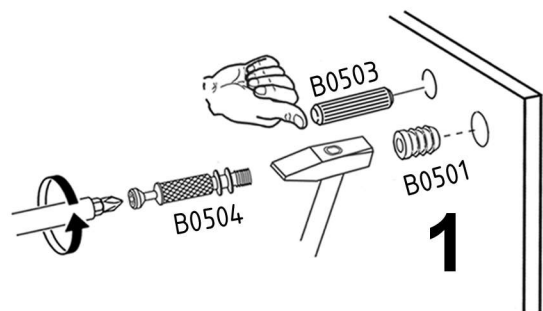
①



2

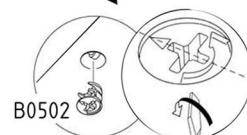


1



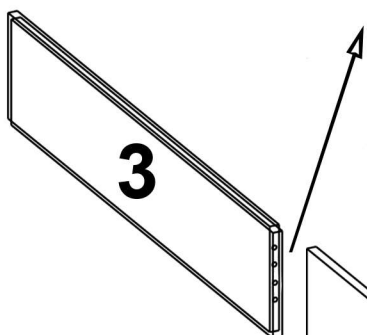
2

1

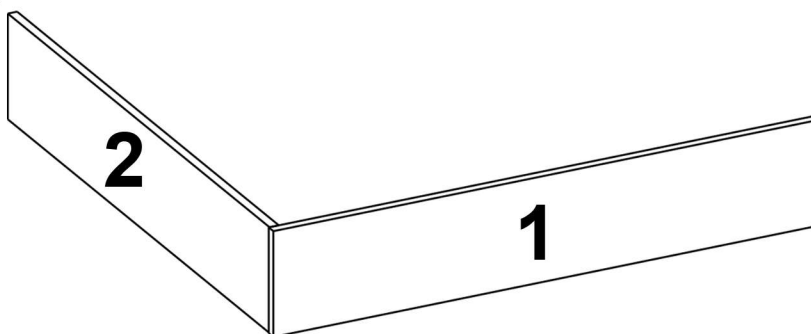


B0502

②

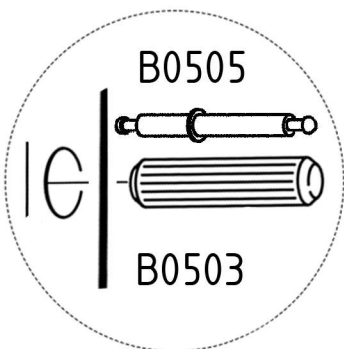


3



2

1



B0505

B0503

B0502

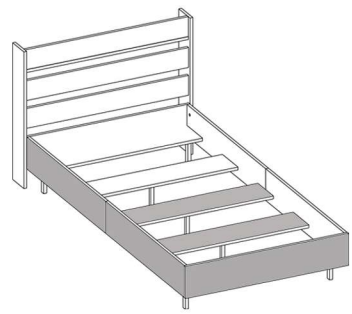
3



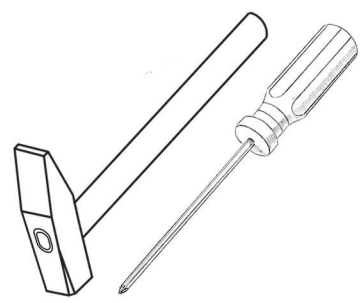
B0505

2

2



B0501 B0502 B0503 B0504



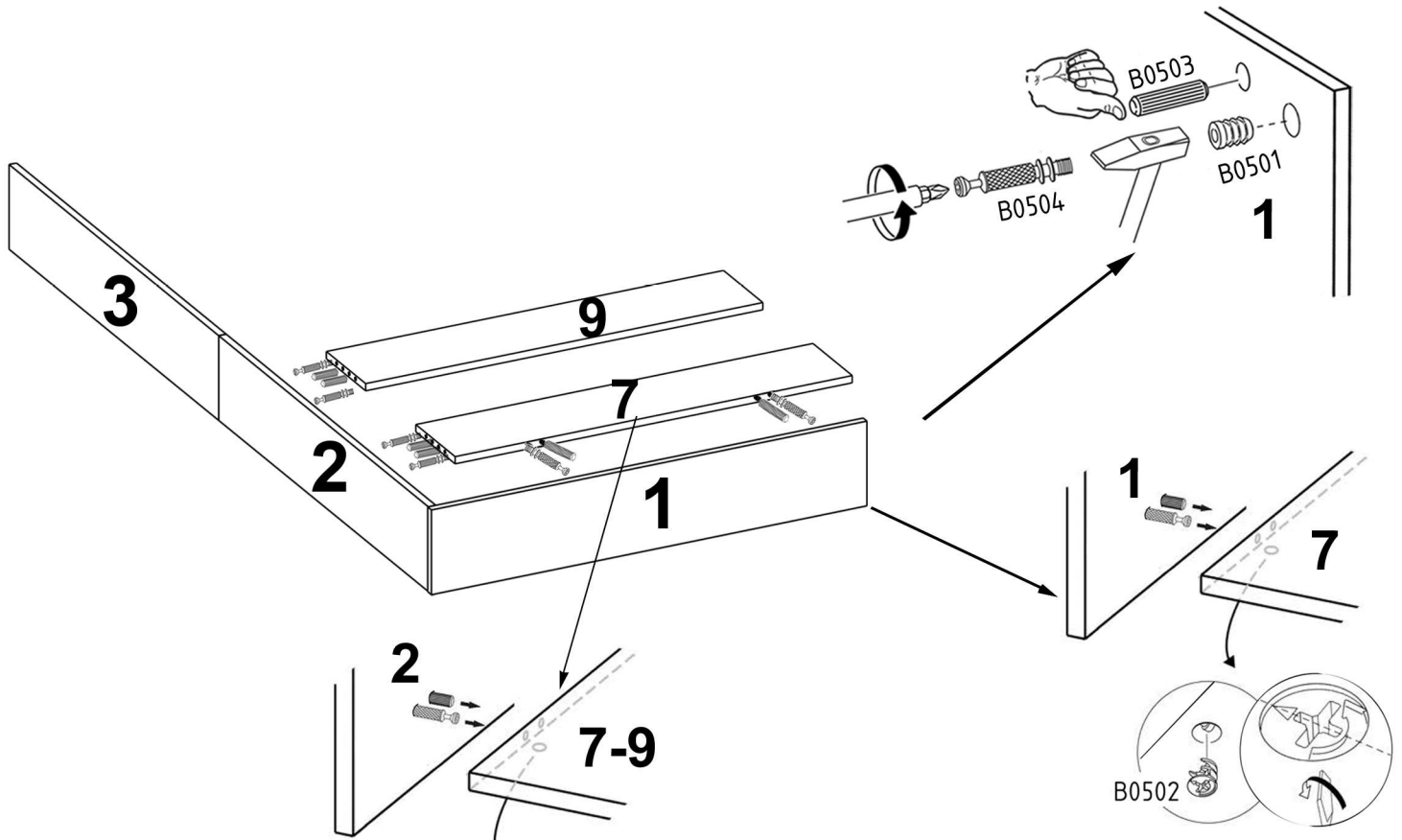
x10

x10

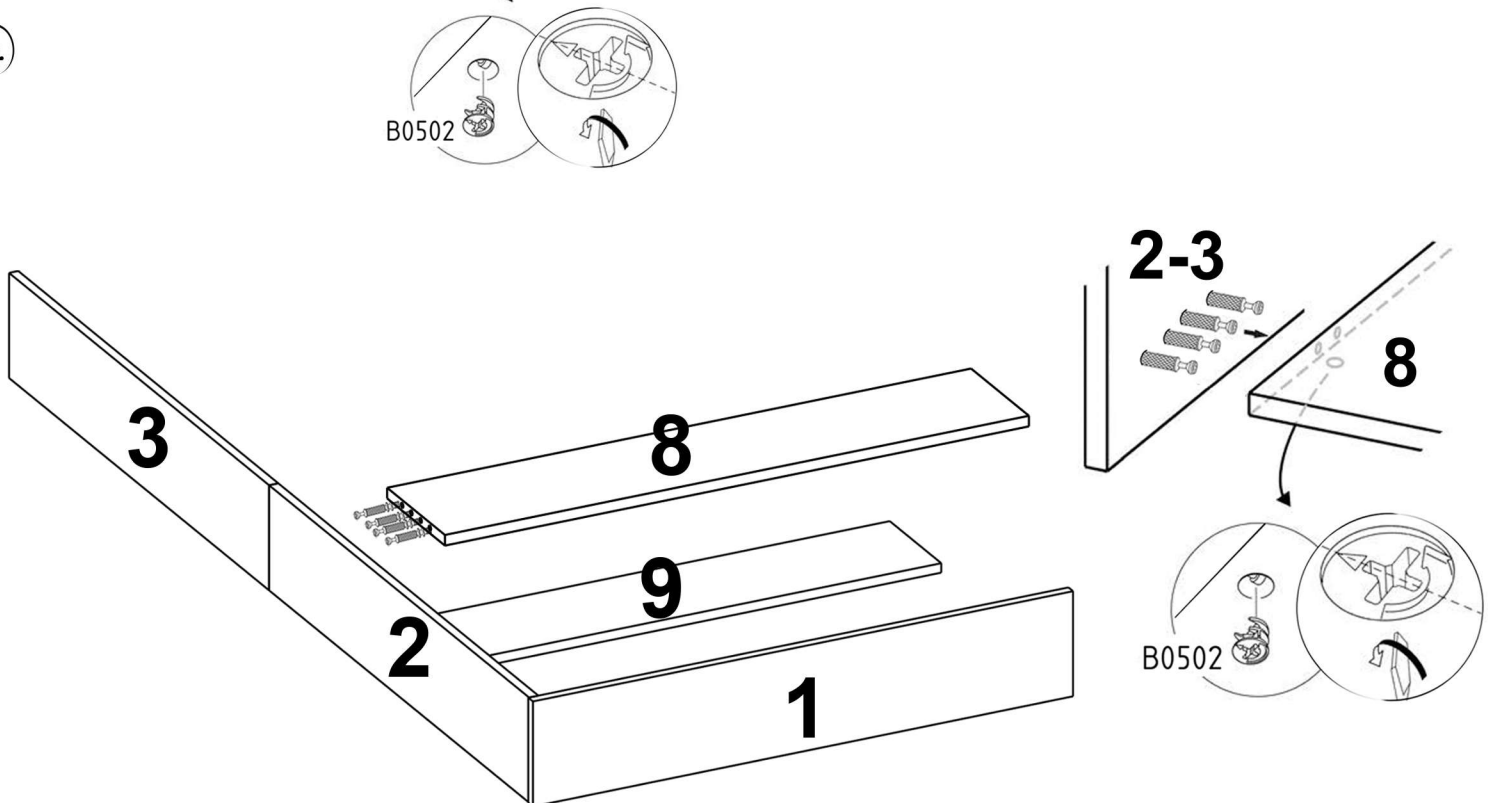
x6

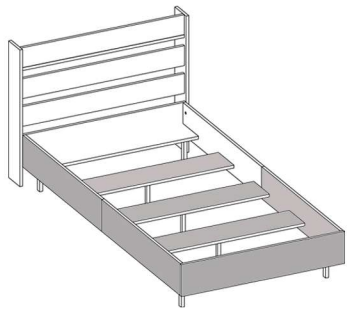
x10

③



④

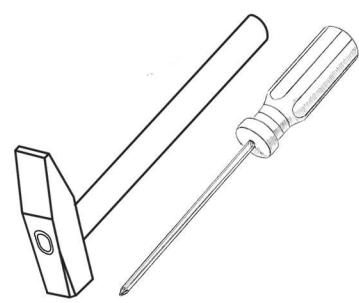




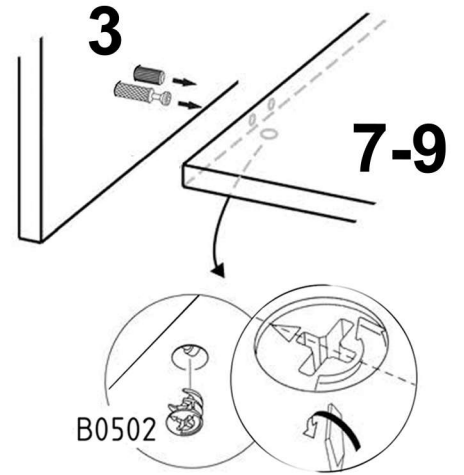
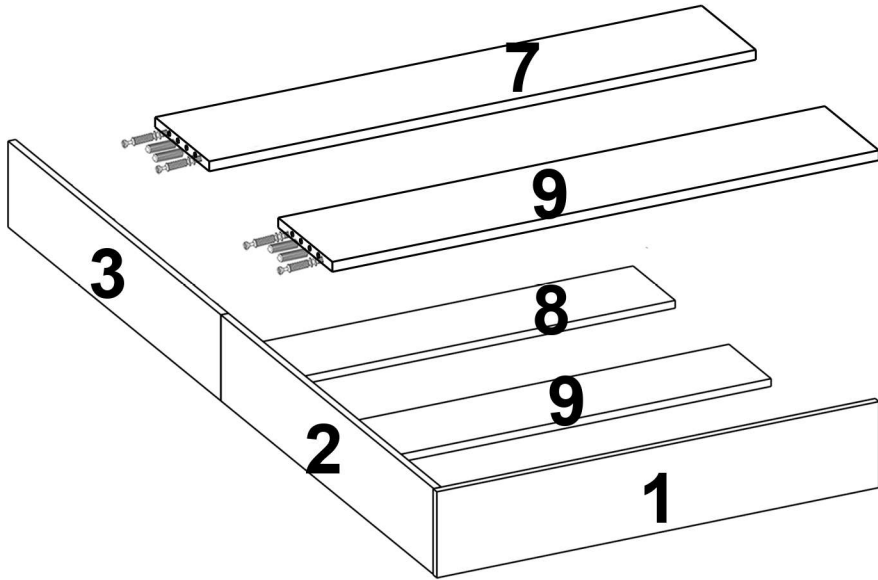
B0501 B0502 B0503 B0504



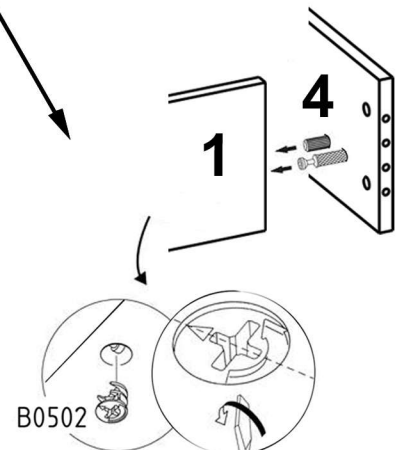
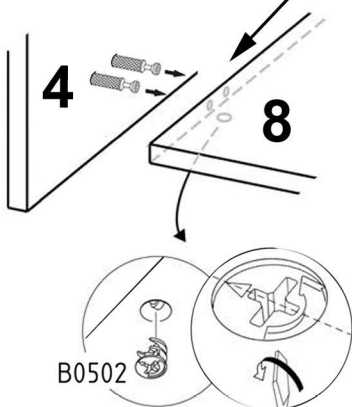
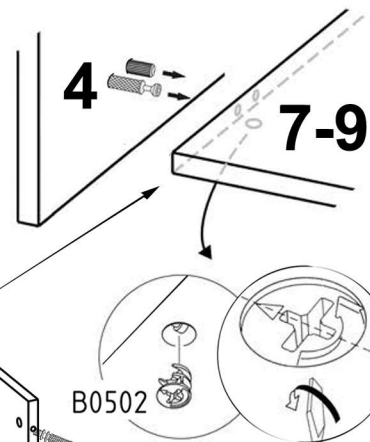
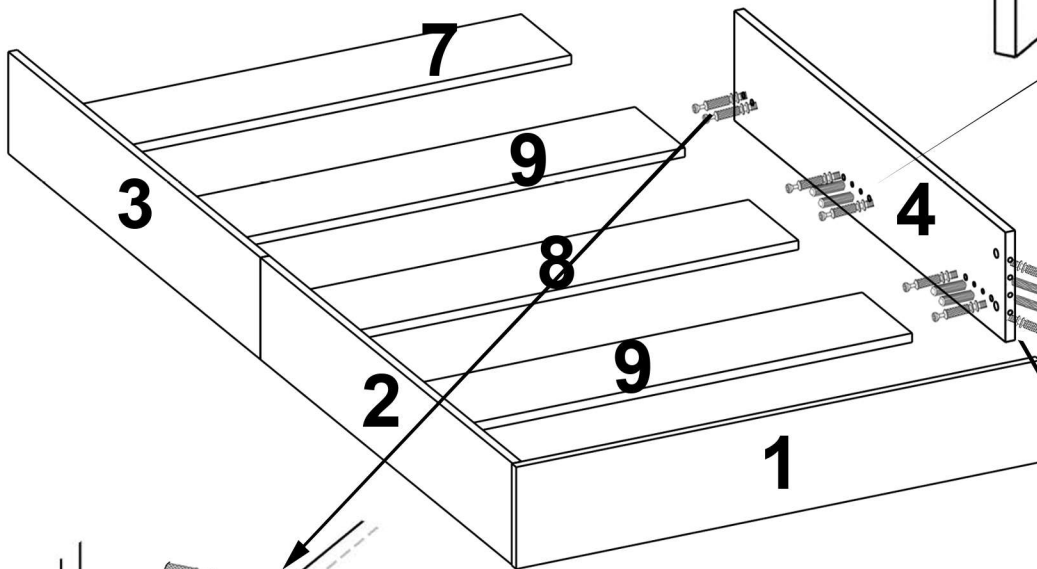
x12 x12 x10 x12

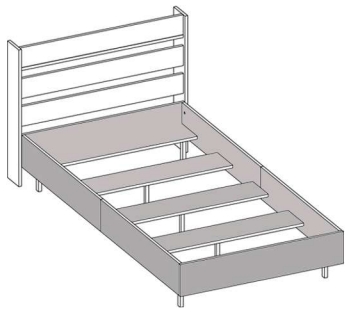


5



6





B0501 B0502 B0503 B0504 B0505



x6



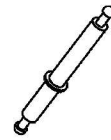
x10



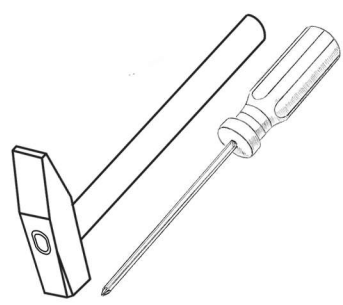
x6



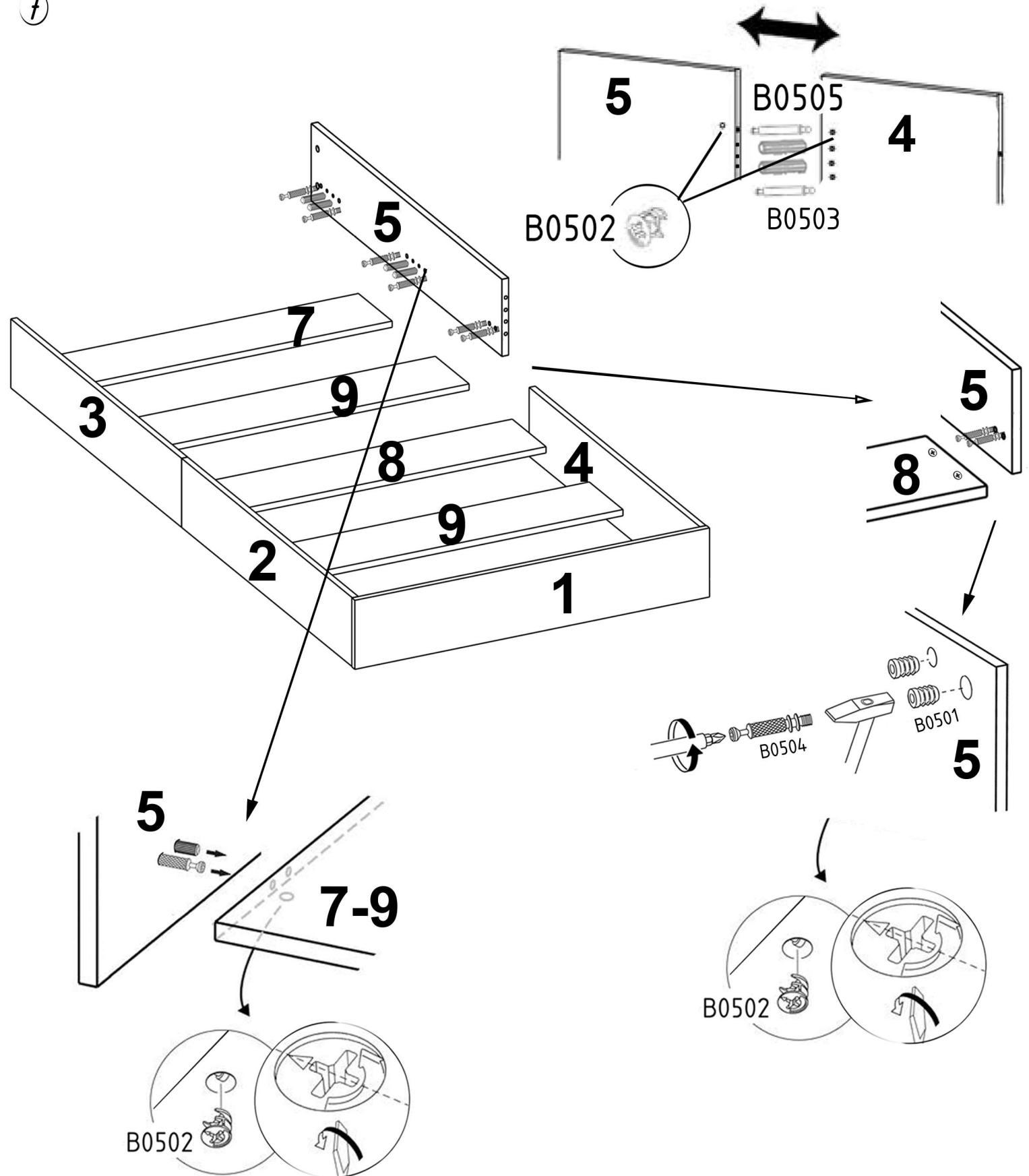
x6



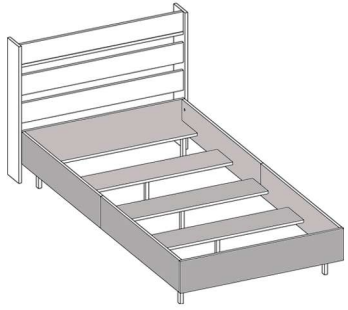
x2



7



5



B0501 B0502 B0503 B0504

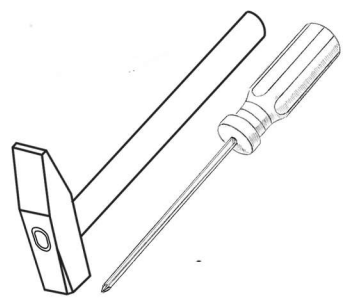


x6

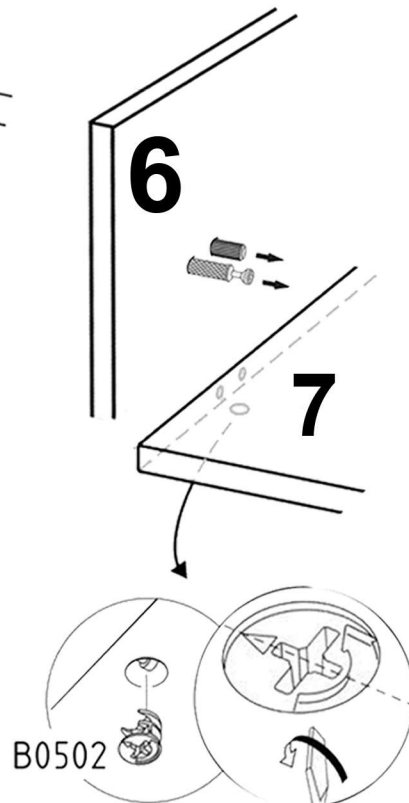
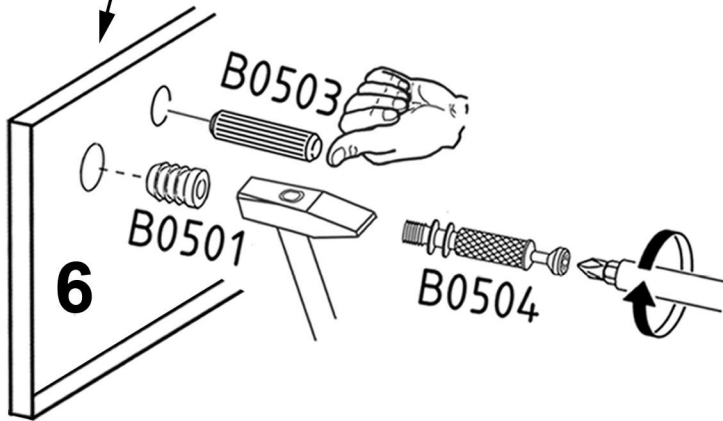
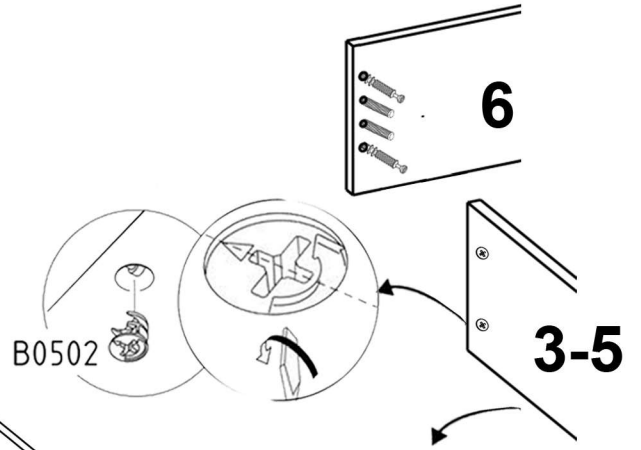
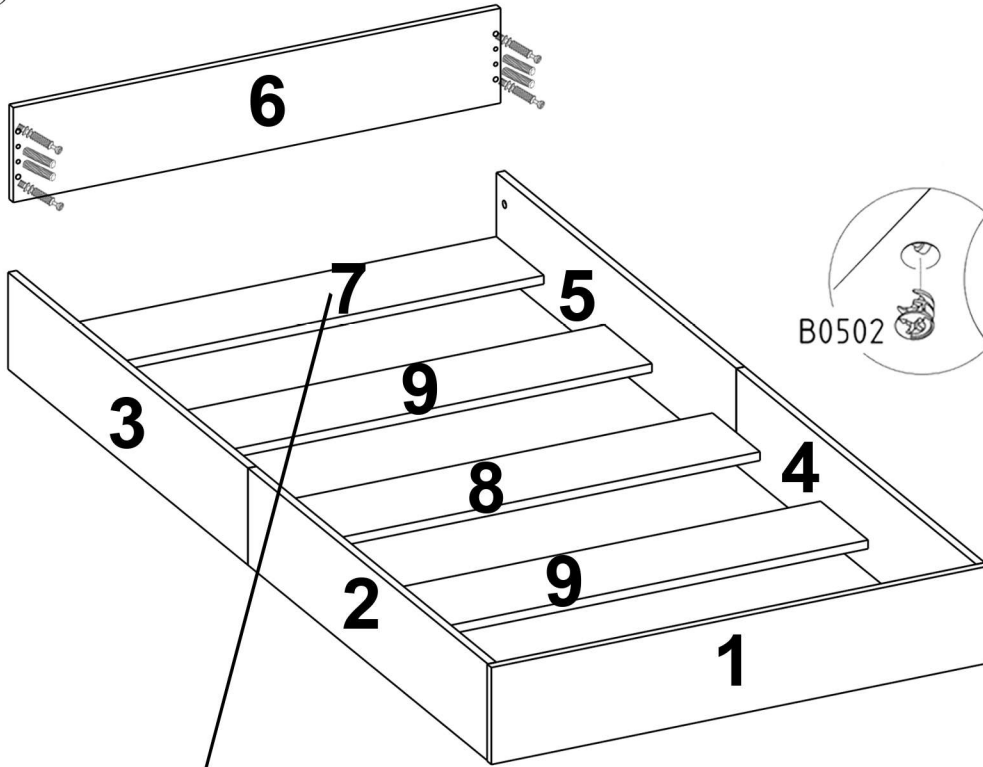
x6

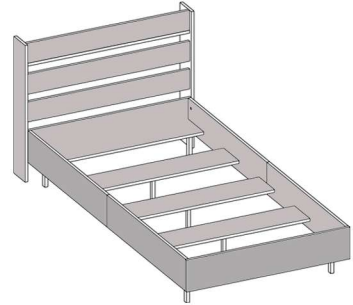
x6

x6

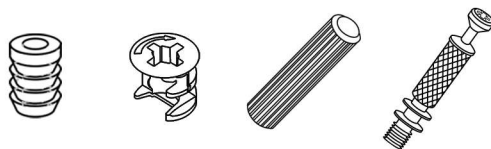


8

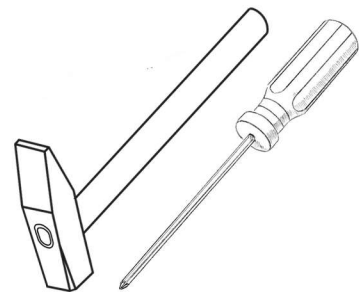




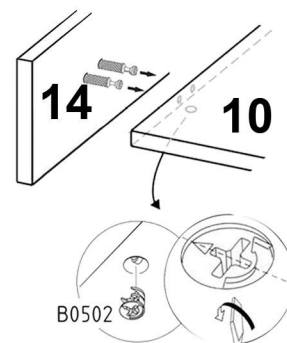
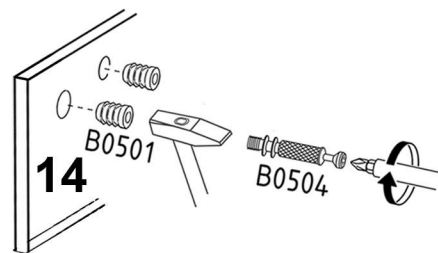
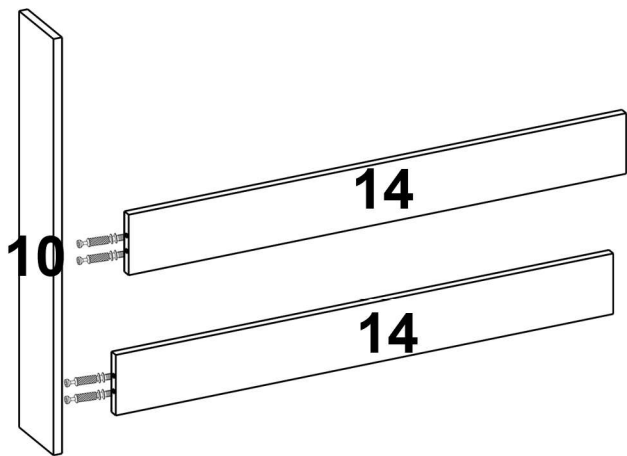
B0501 B0502 B0503 B0504



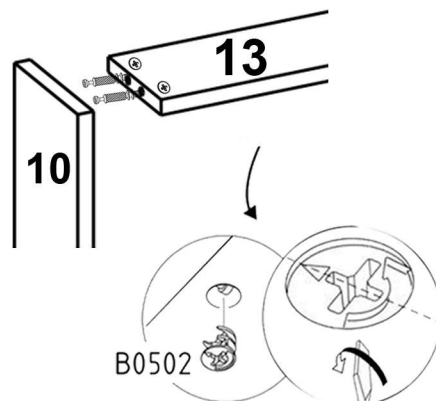
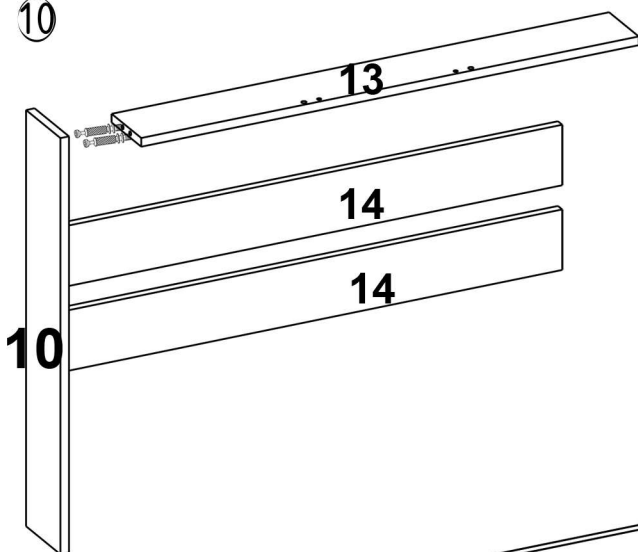
x10 x10 x2 x10



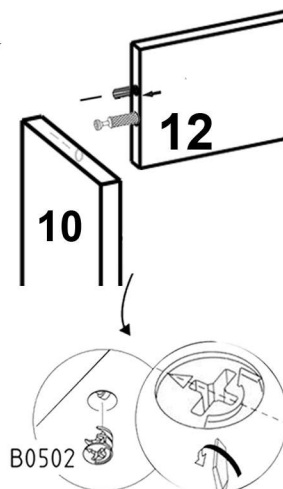
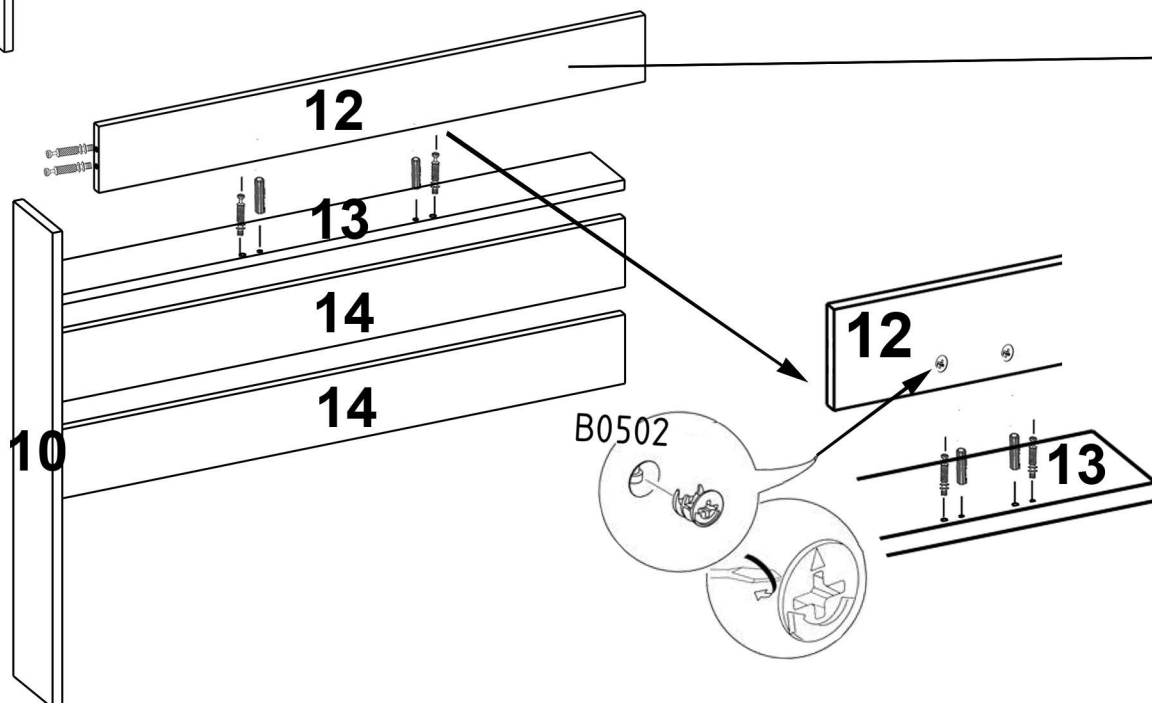
9

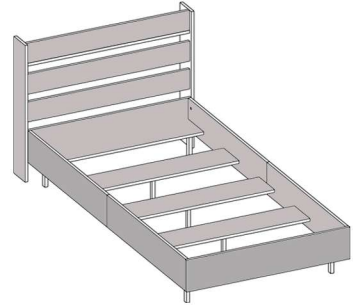


10



11





B0501 B0502



x8



x8

B0504 B0324



x8



x12

D0806



x3

B0301

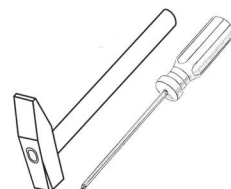


x4

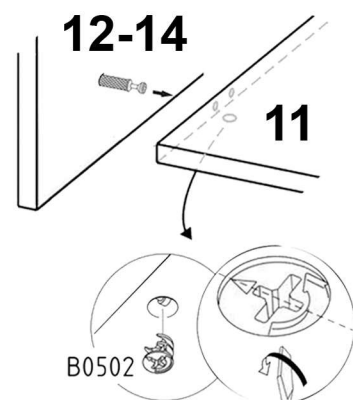
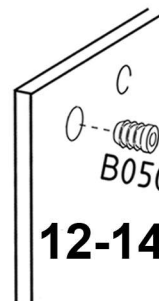
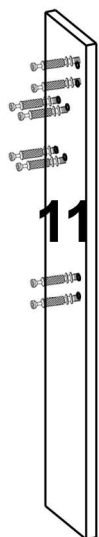
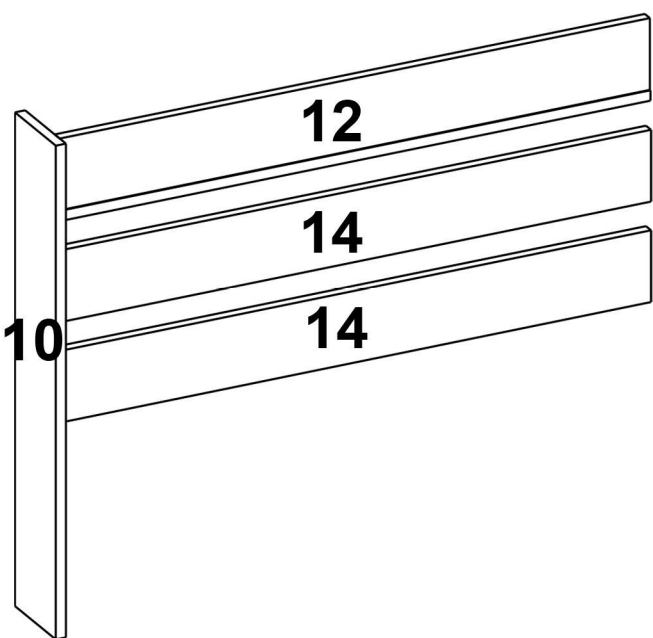
D0801



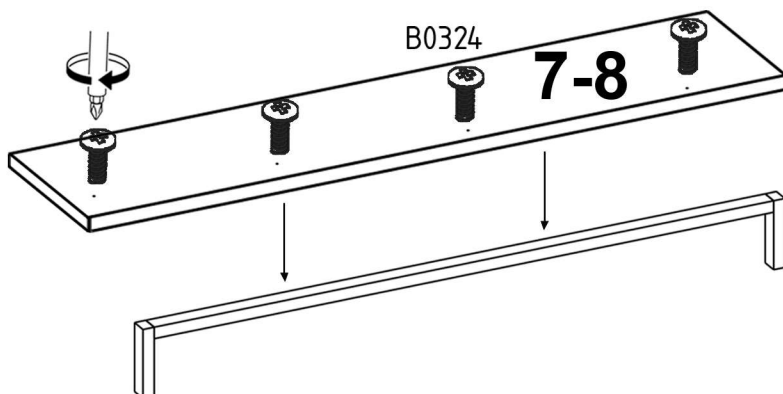
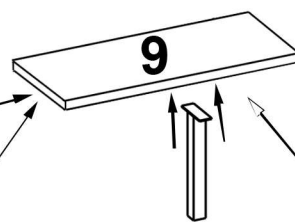
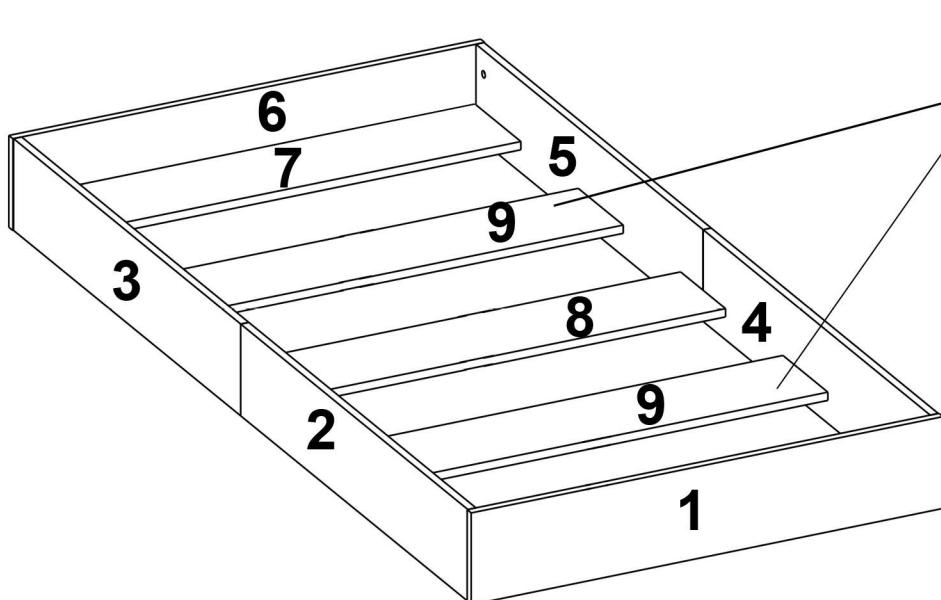
x2



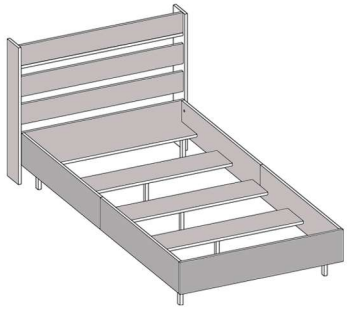
12



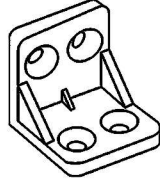
13



D0806



B1301



x4

B0301

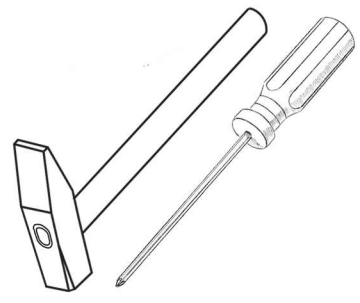


x16

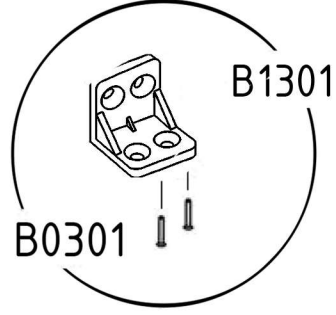
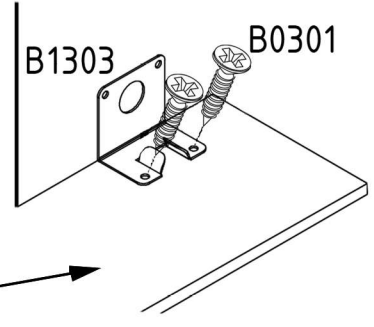
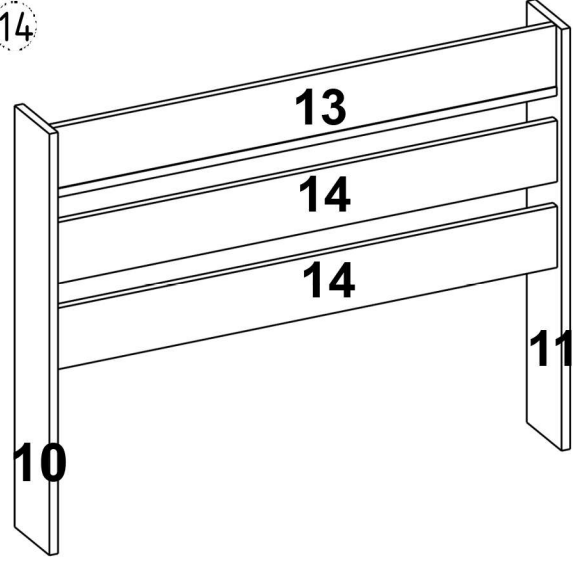
B1702



x8



14



15

