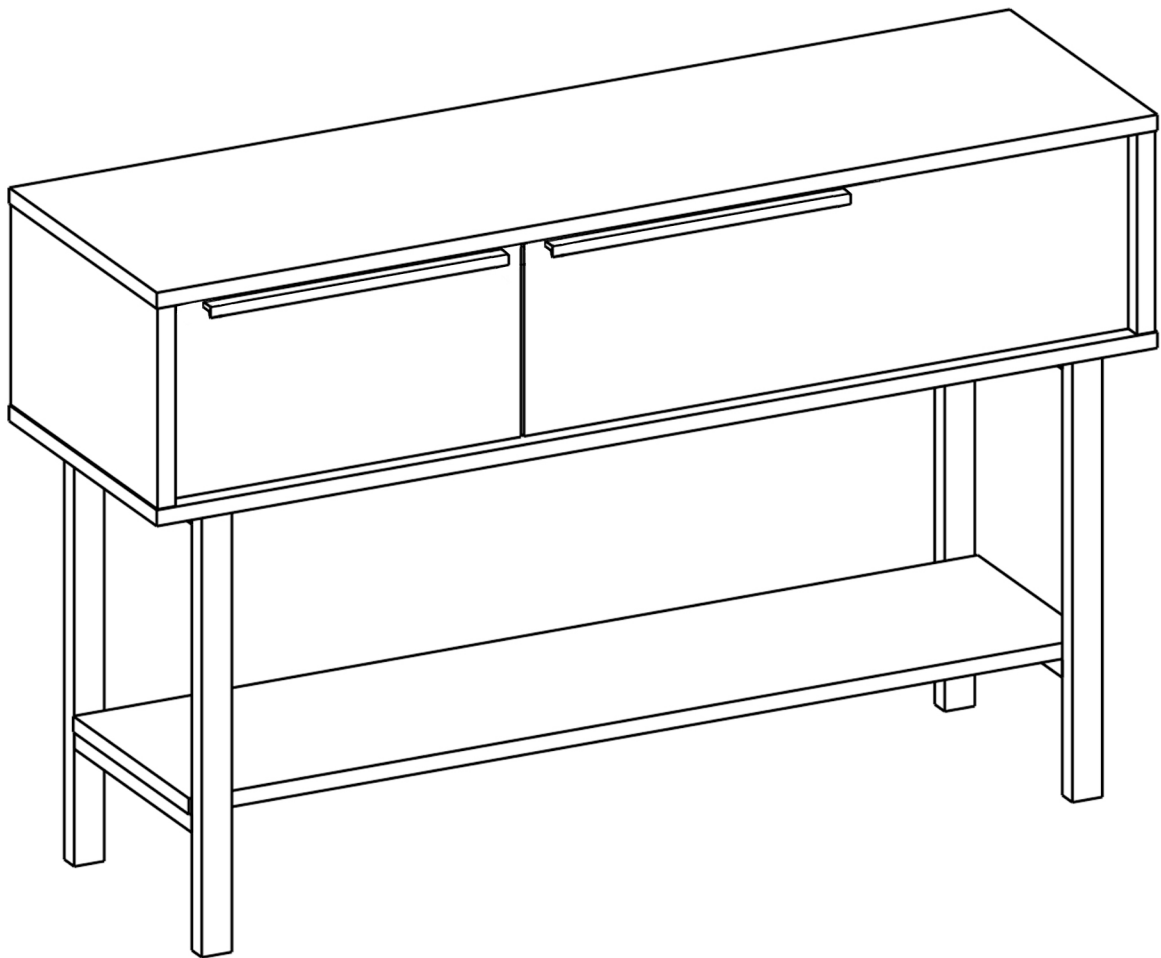
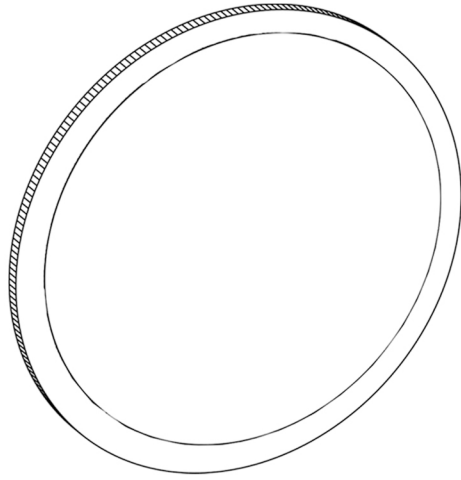
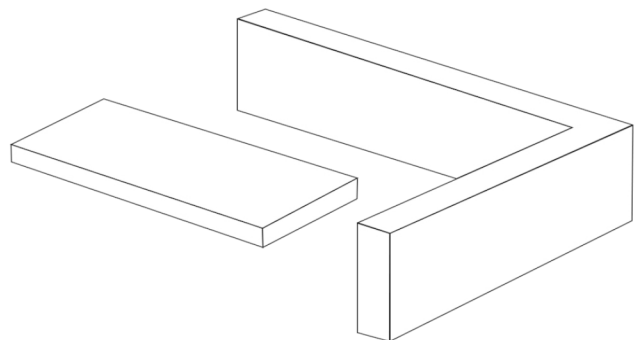
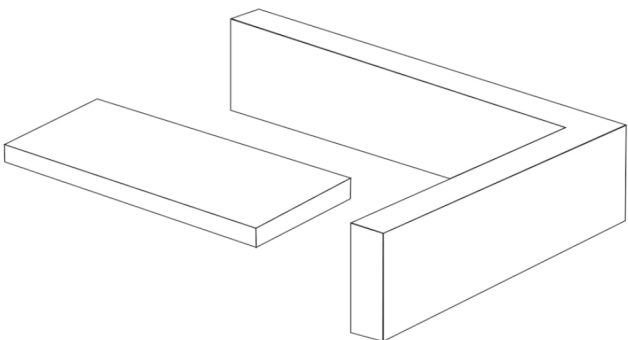
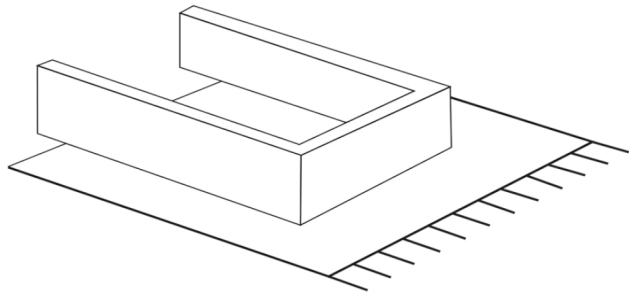
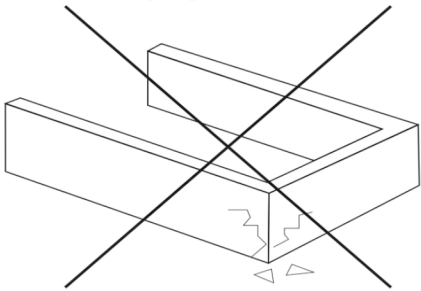
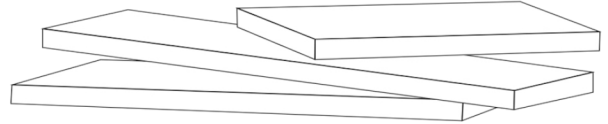
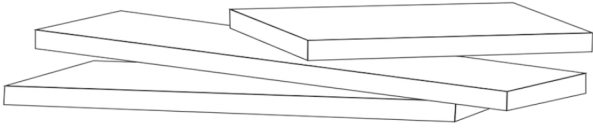
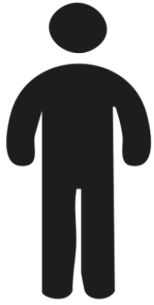


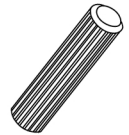
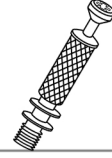
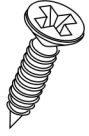
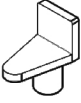

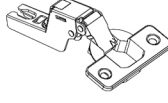
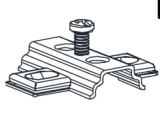
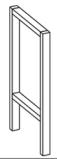




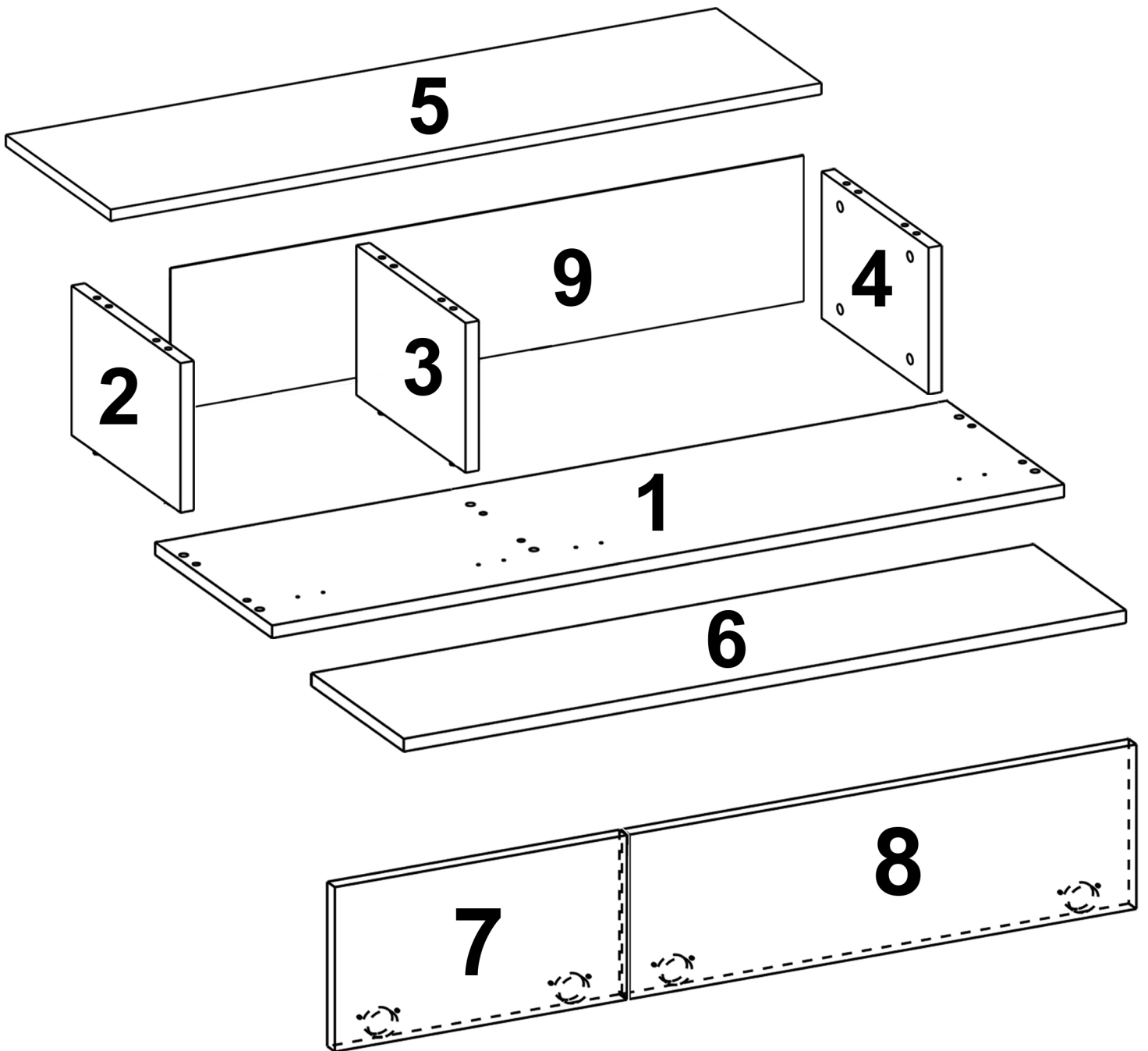


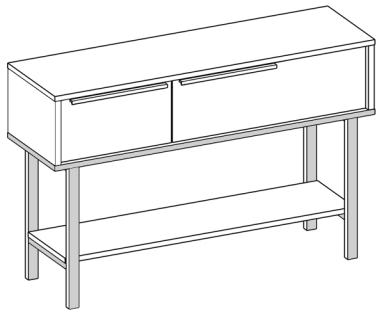
# ON12





|  |  |   |  |   |
|--|--|---|--|---|
|  B0501<br>x12 |  B0502<br>x12  |  B0503<br>x12 |  B0504<br>x12 |  B0301<br>x16 |
|  B0509<br>x2  |  B1702<br>x4  |  B0103<br>x4 |  B0105<br>x4 |  D0811<br>x2 |
|  B0203<br>x2  |  B0318<br>x15 |  B0307<br>x4 |  B0305<br>x8 |   |



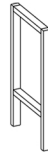


B0305



x4

D0811

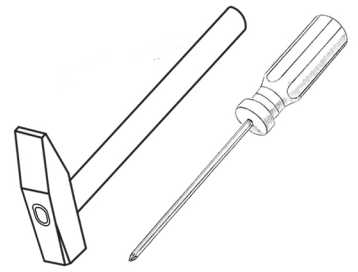


x2

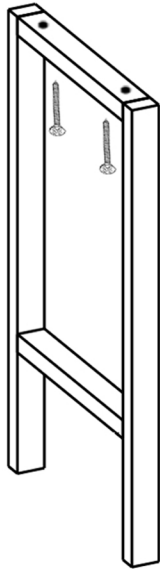
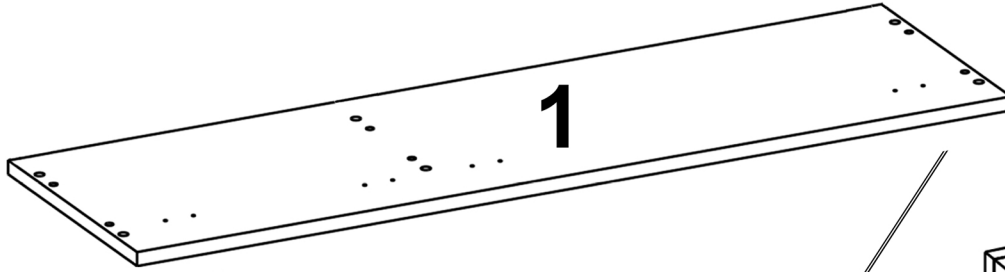
B1702



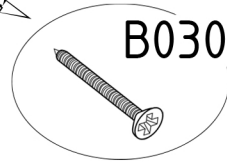
x4



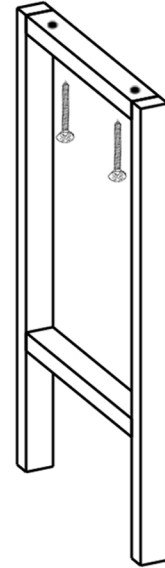
1



D0811

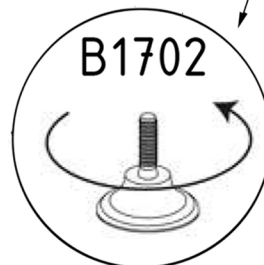
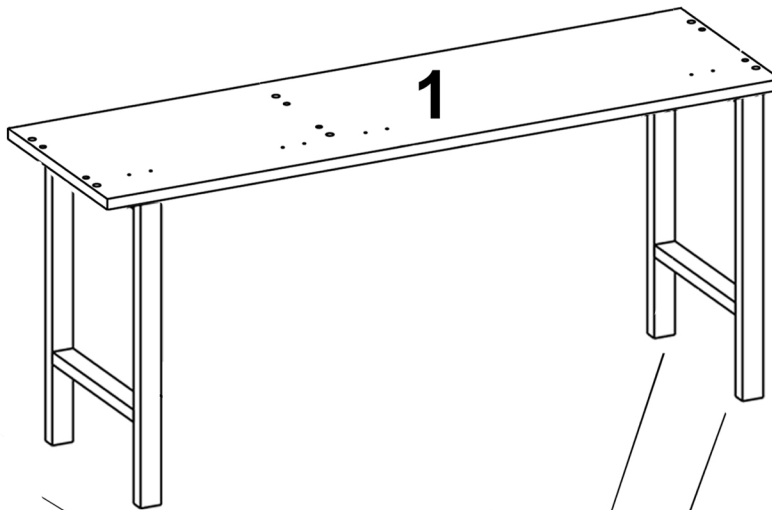


B0305



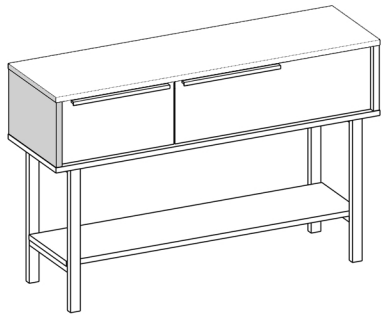
D0811

2



B1702

2

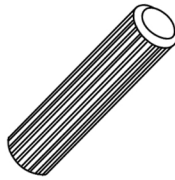


B0502



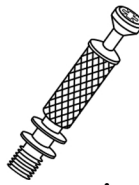
x4

B0503



x4

B0504

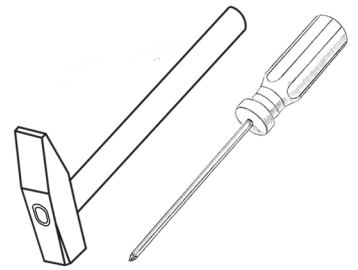


x4

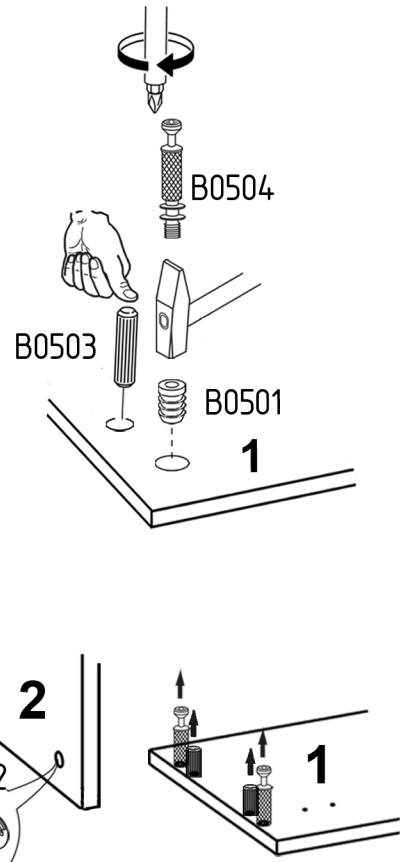
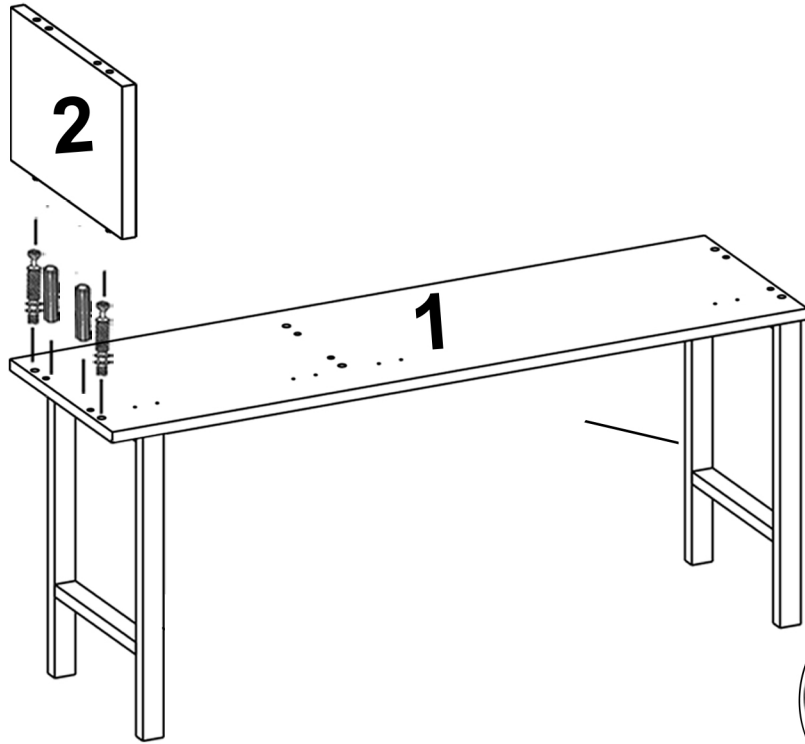
B0501



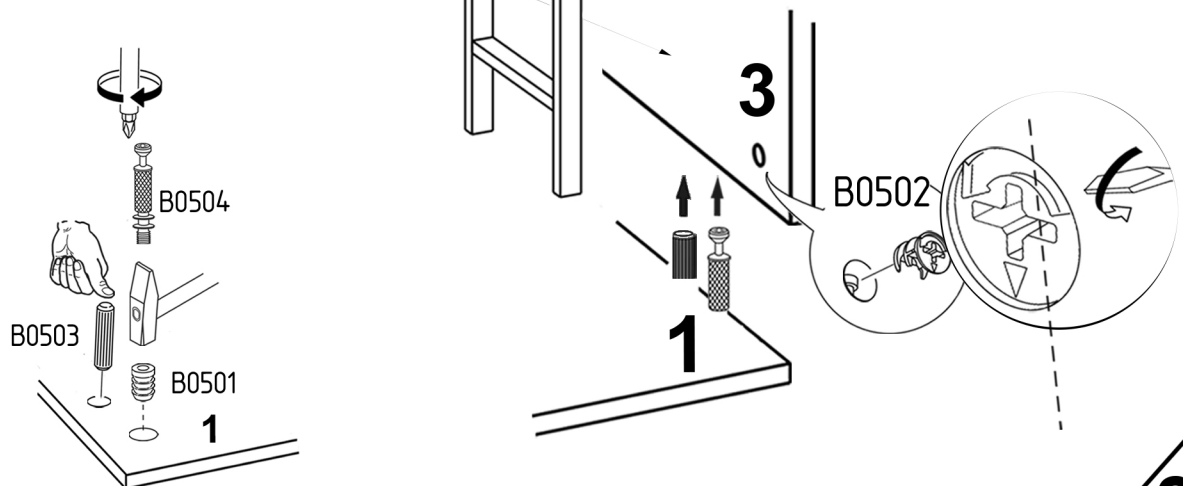
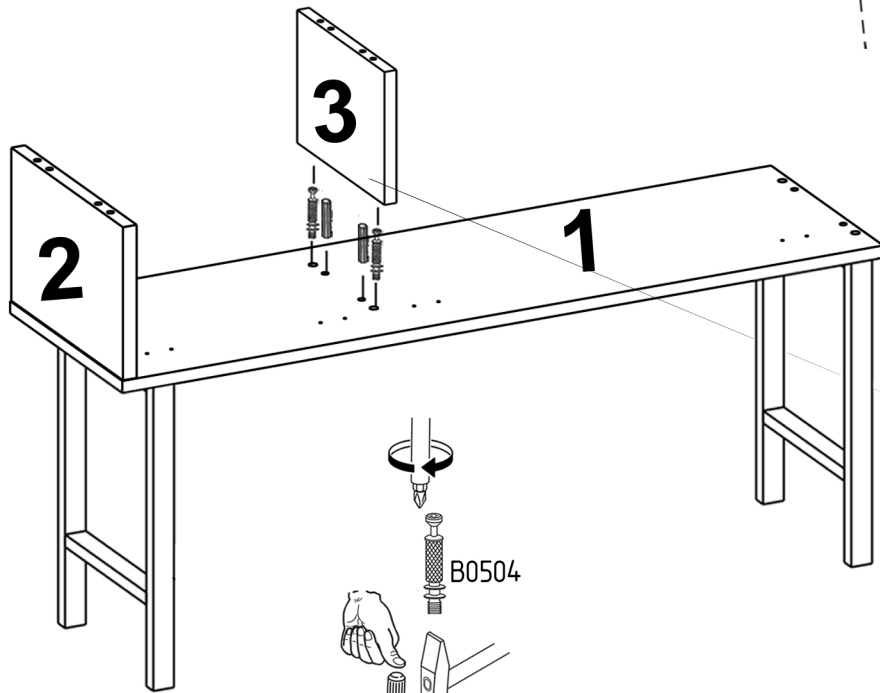
x4



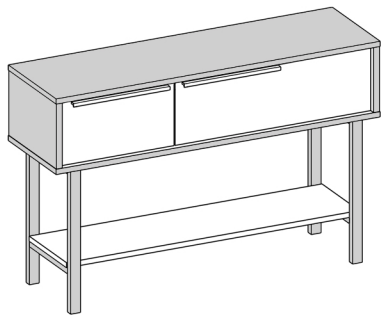
3



4



3

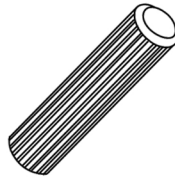


B0502



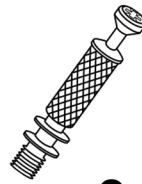
x8

B0503



x8

B0504

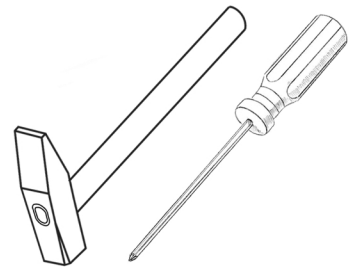


x8

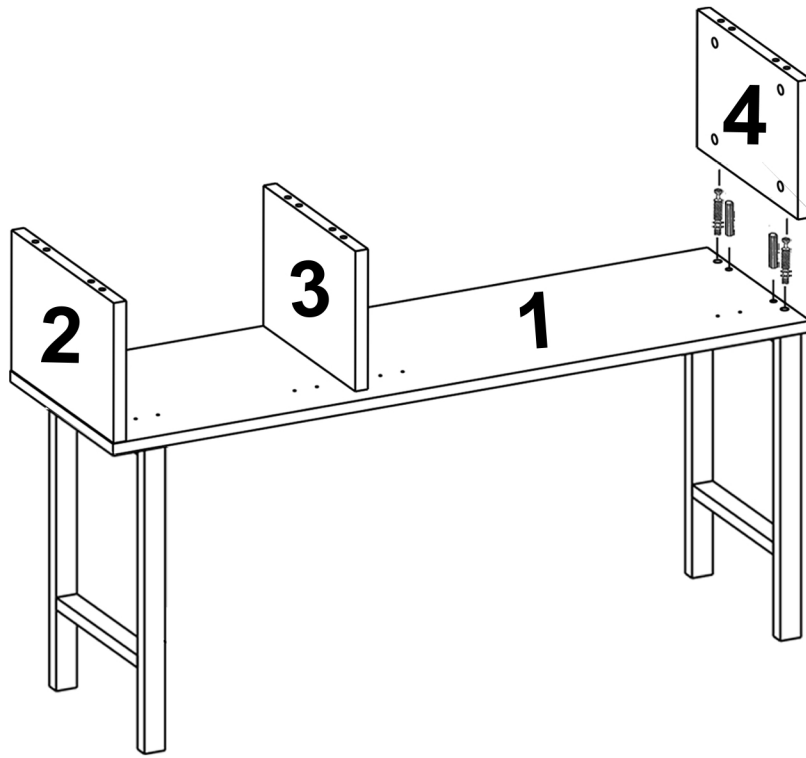
B0501



x8



5



B0504

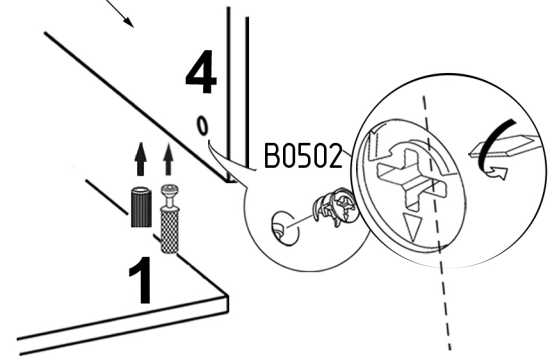


B0503



B0501

1

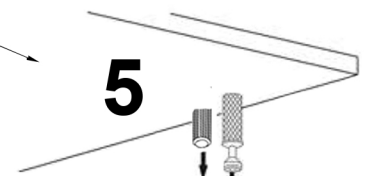
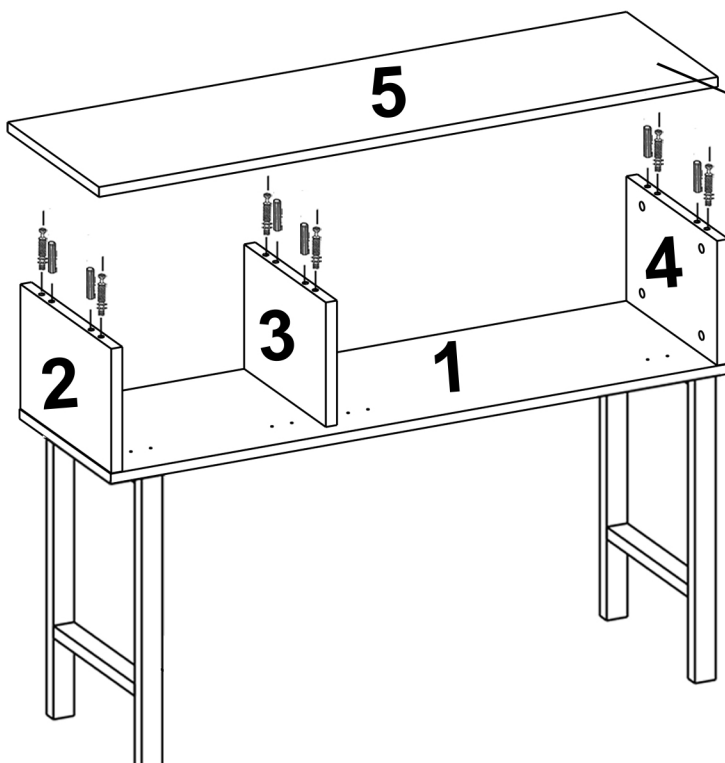


4

B0502

1

6

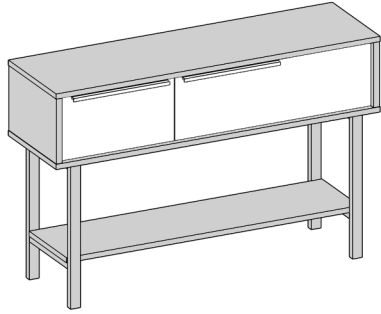


5

B0502

2-3-4

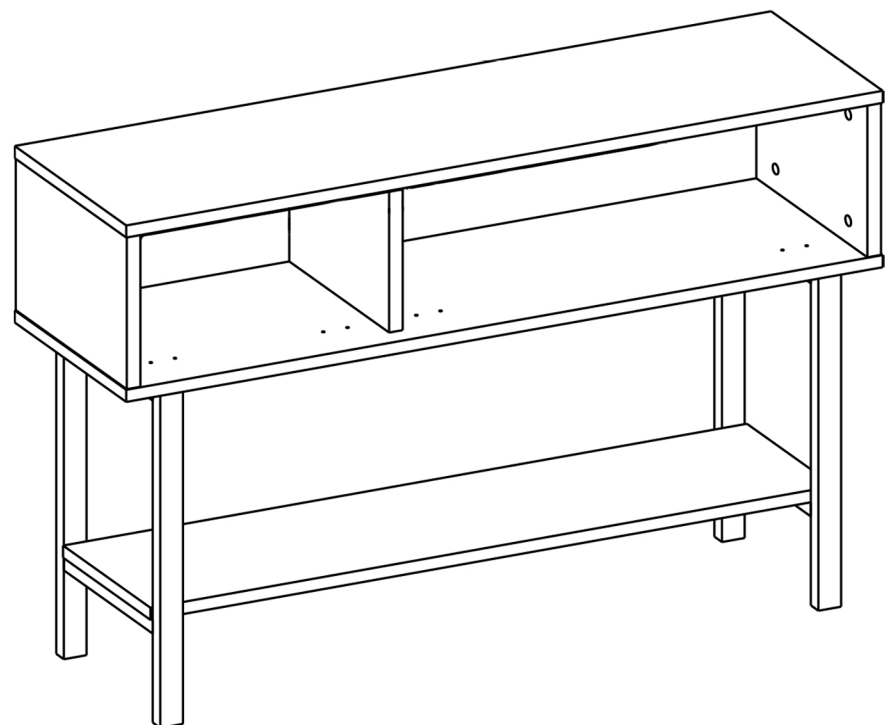
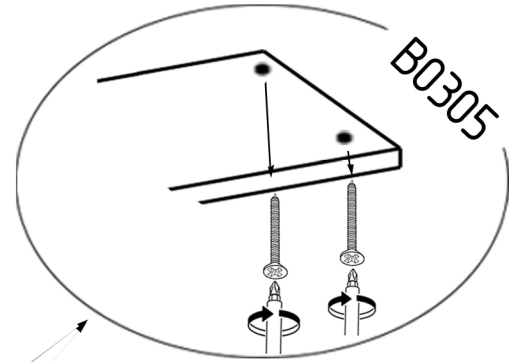
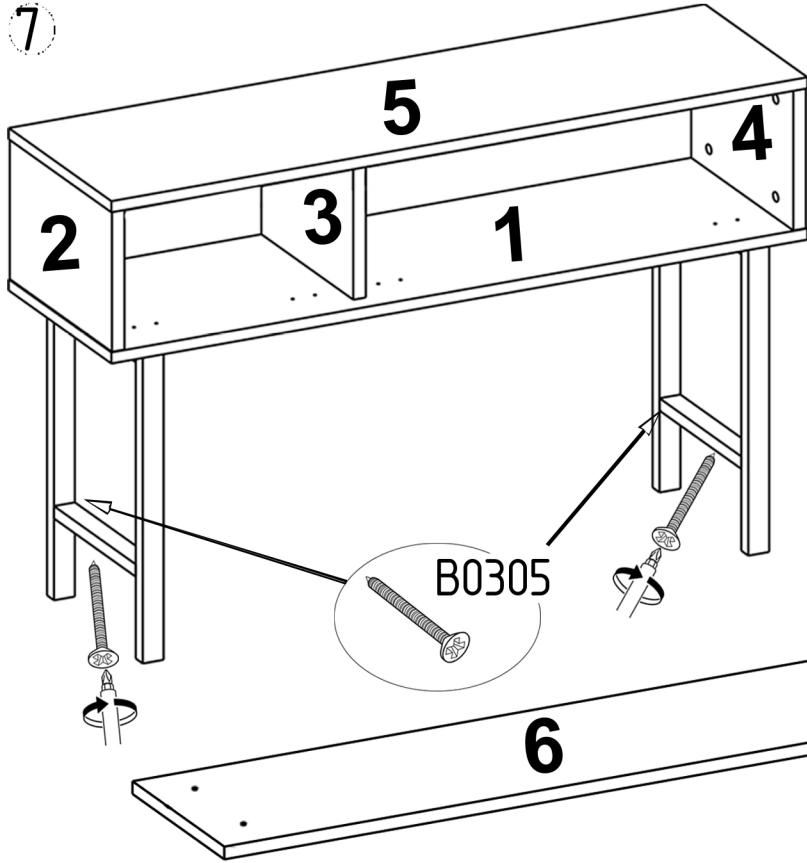
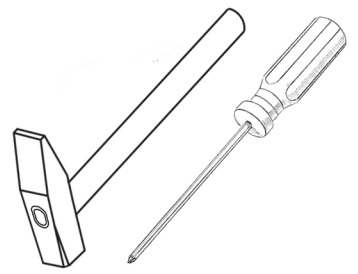
4

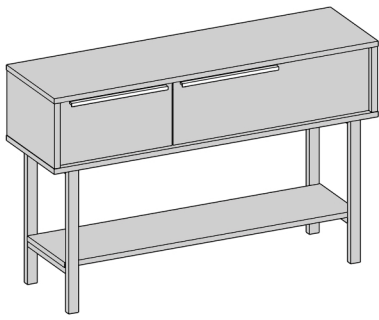


B0305



x4



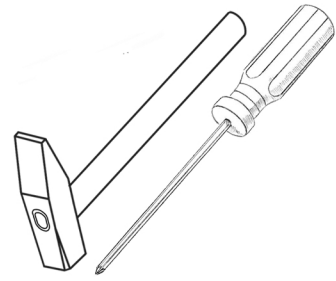
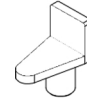
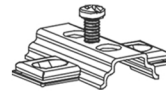


B0301

B0103

B0105

B0509

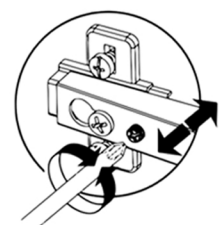
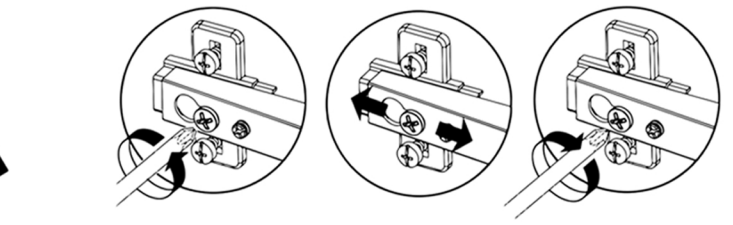
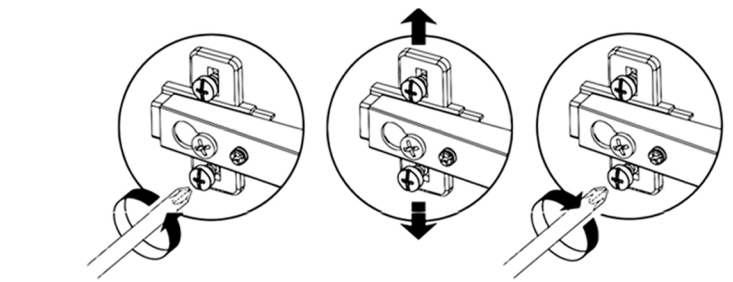
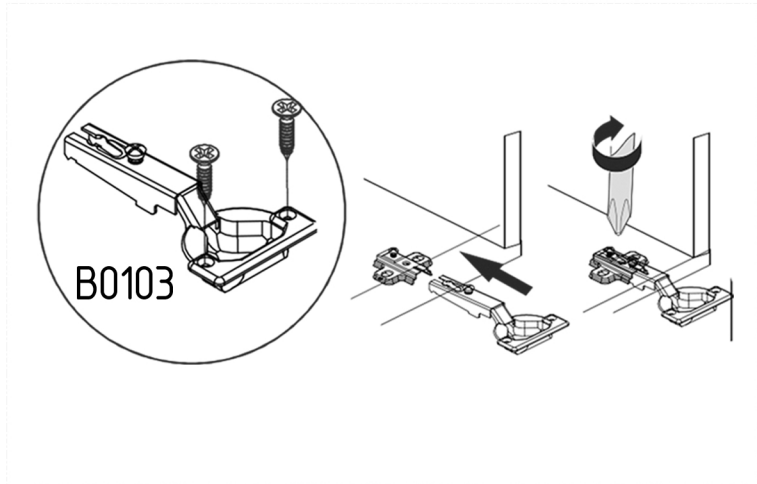
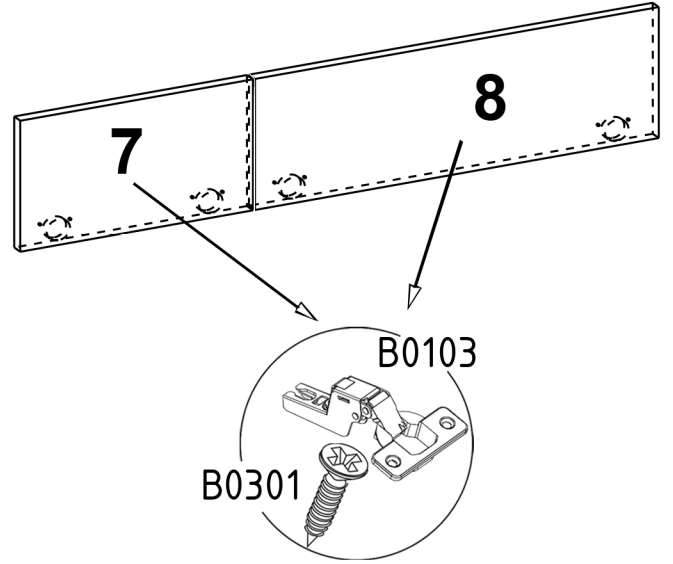
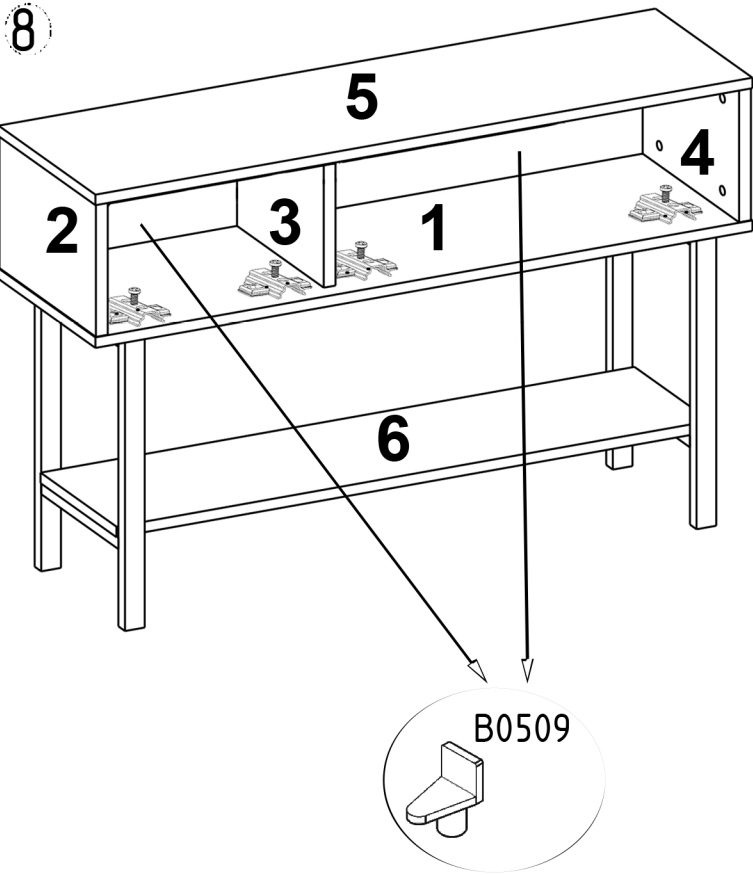


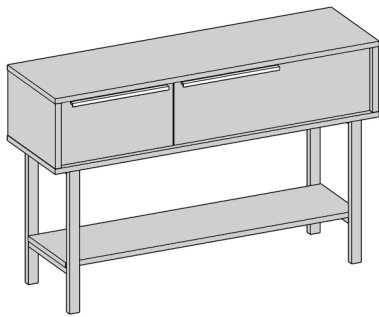
x16

x4

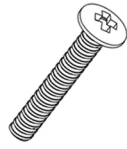
x4

x2





B0307



x4

B0318

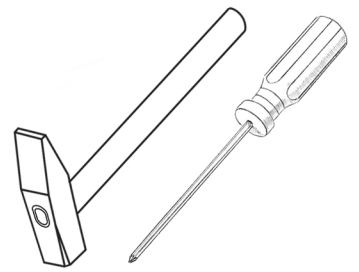


x15

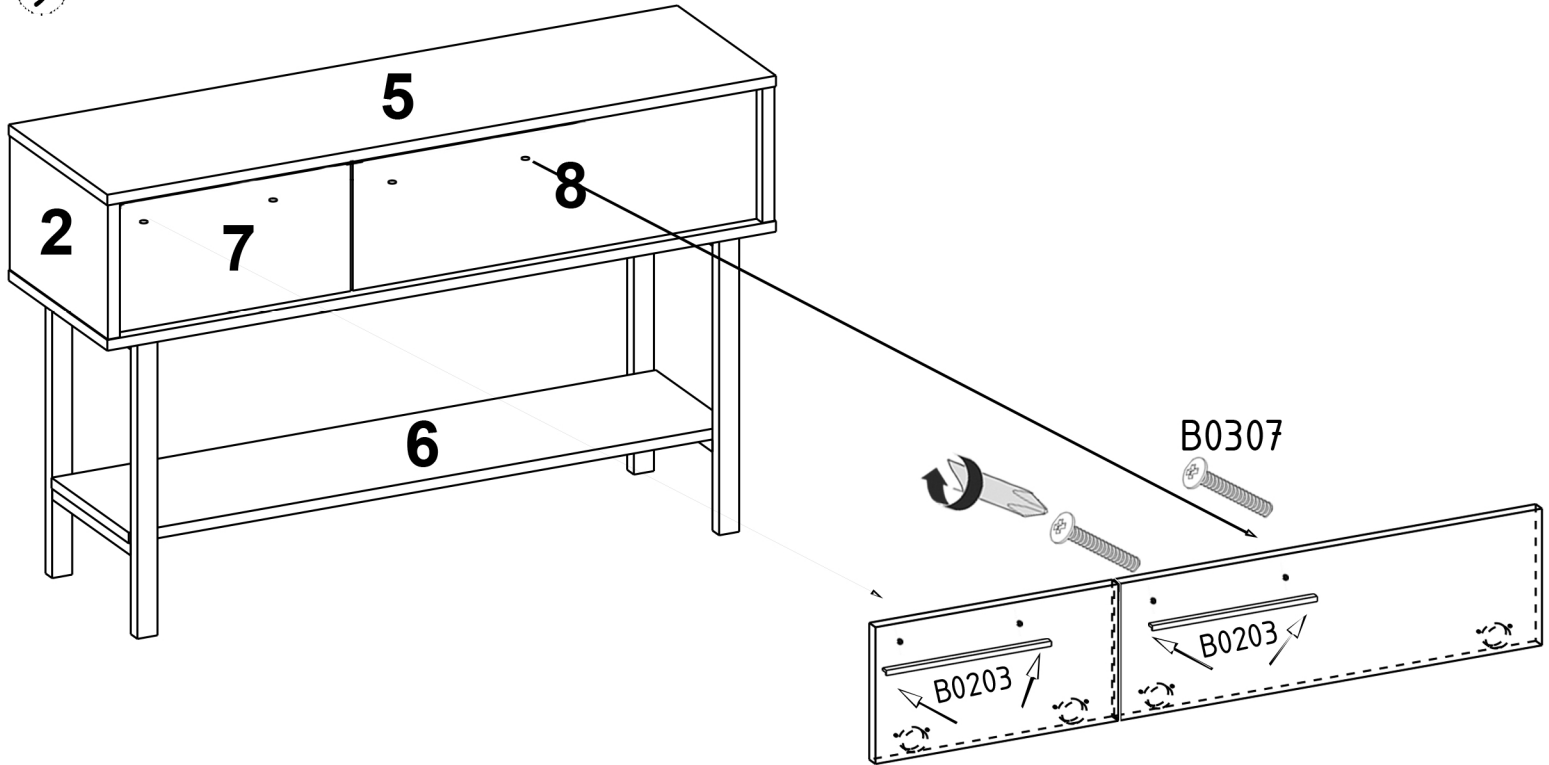
B0203



x2



9



10

