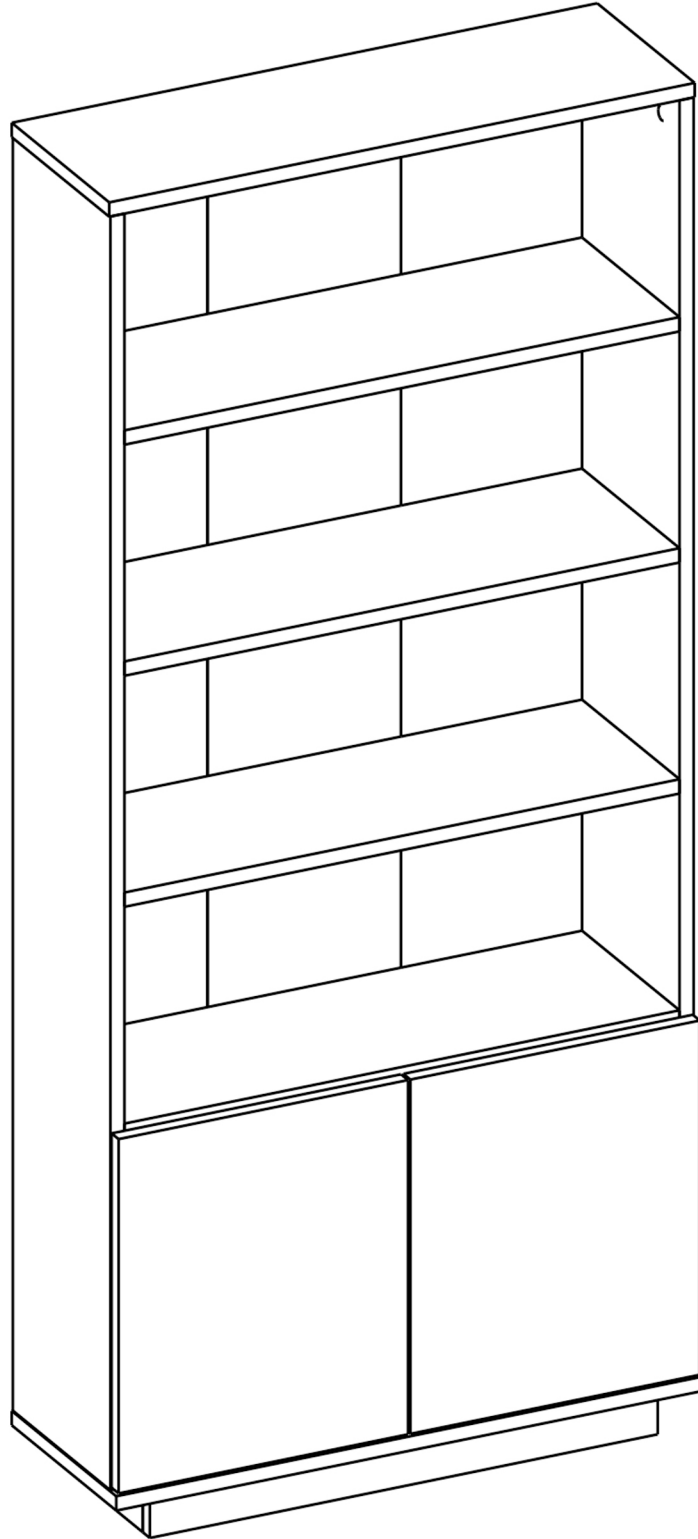
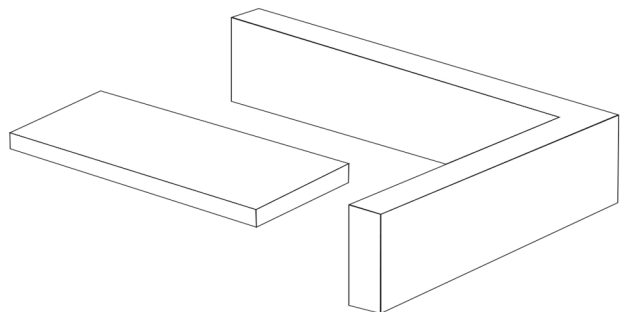
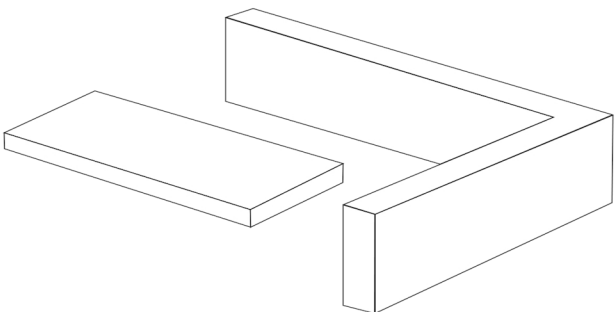
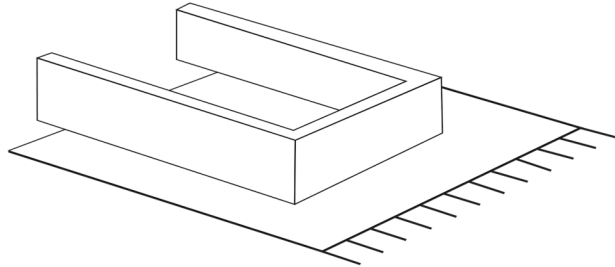
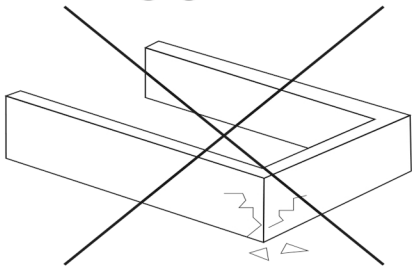
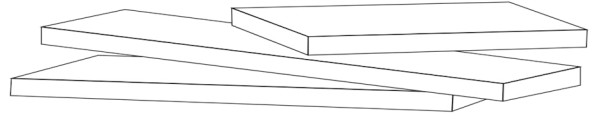
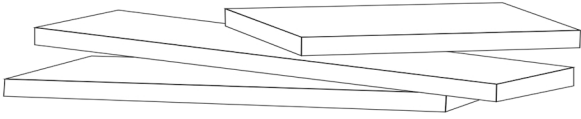
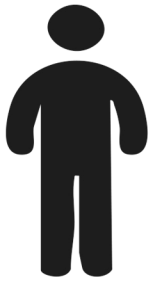


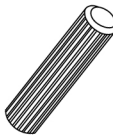




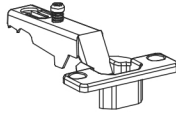

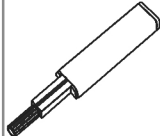
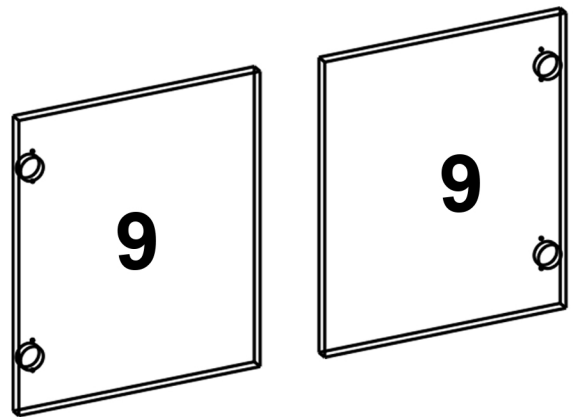
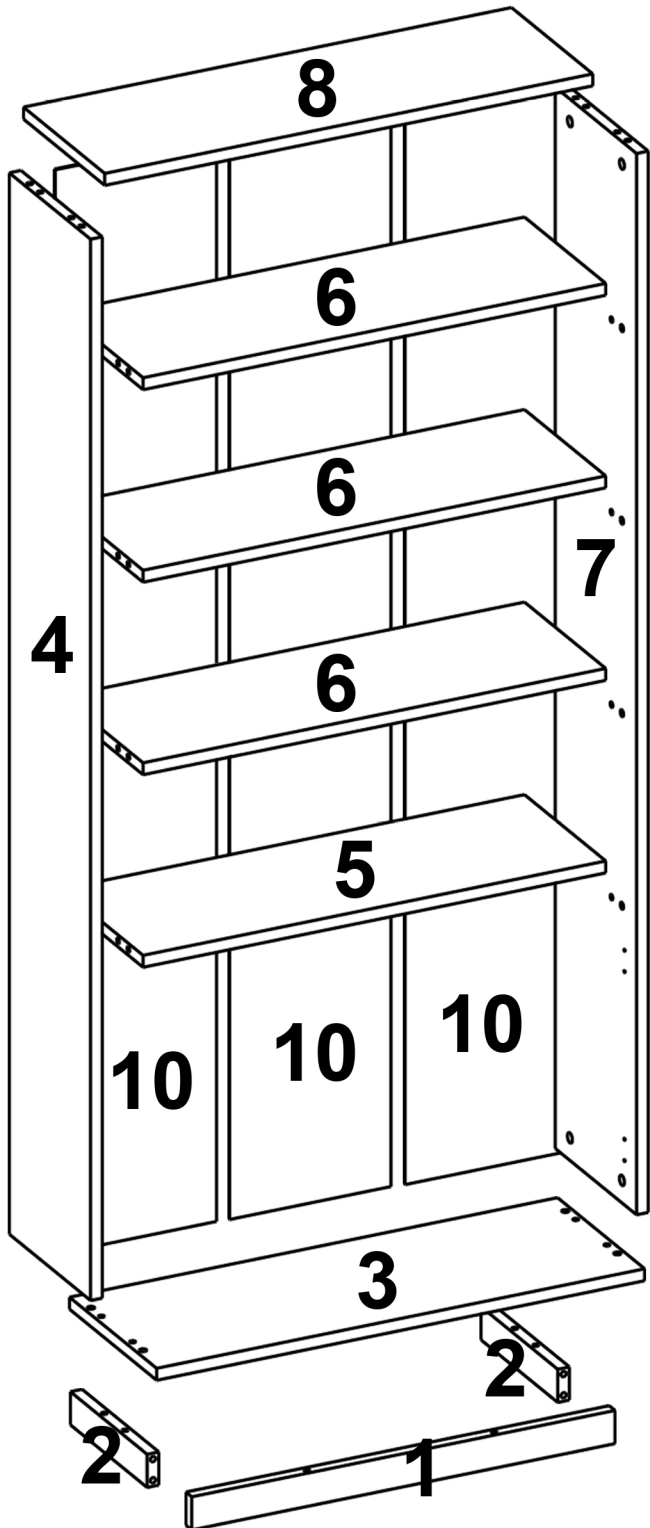


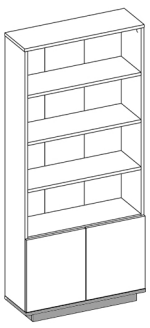
FR16





 B0501 x24	 B0502 x24	 B0503 x28	 B0504 x24	 B0301 x20
 B0304 x6	 B0318 x50	 B0101 x4	 B0105 x4	 B1403 x2





B0304

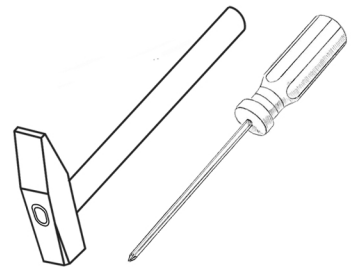


x6

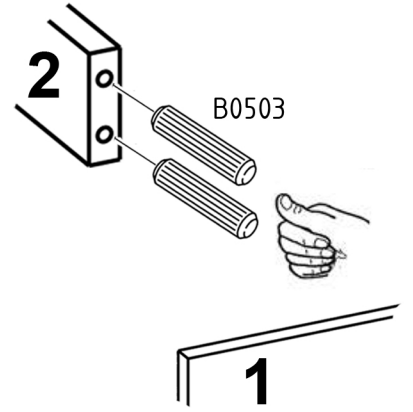
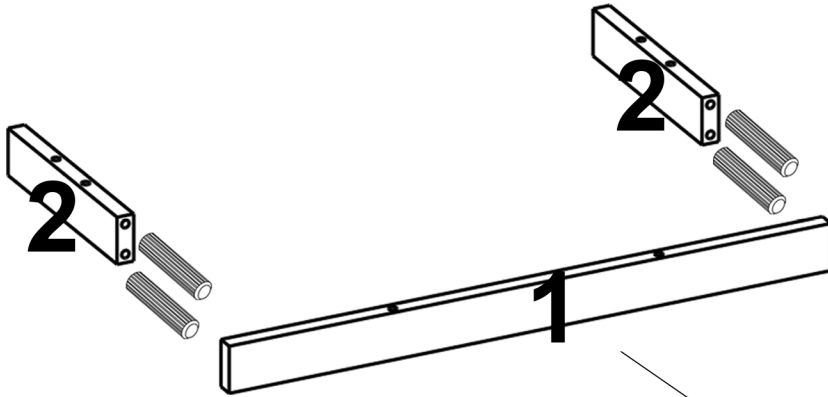
B0503



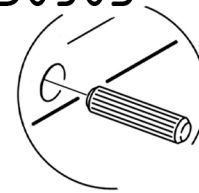
x4



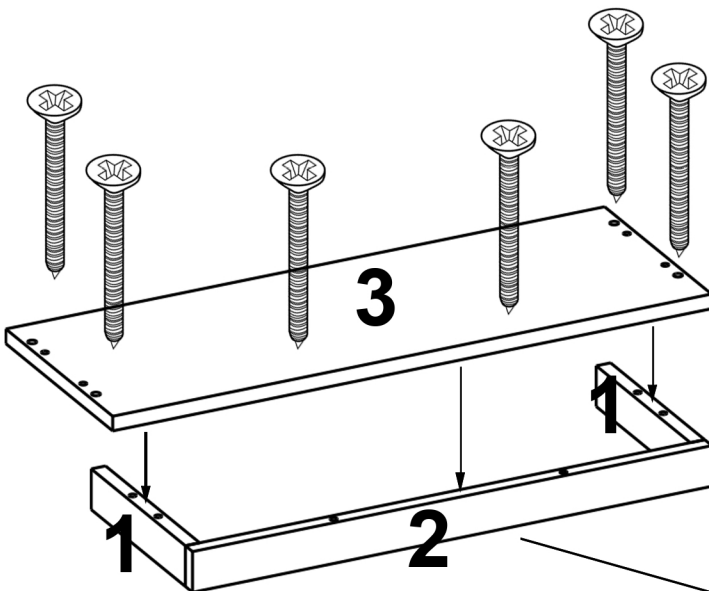
1



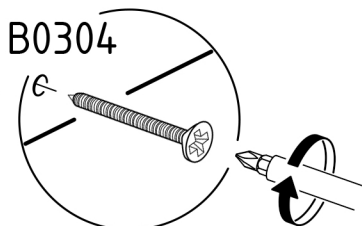
B0503



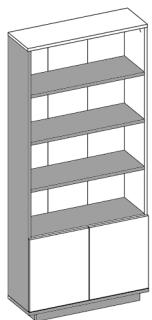
2



B0304



3



B0502

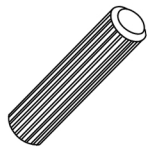
B0503

B0504

B0501



x10



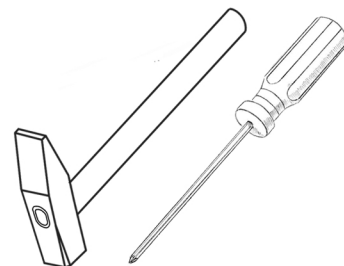
x10



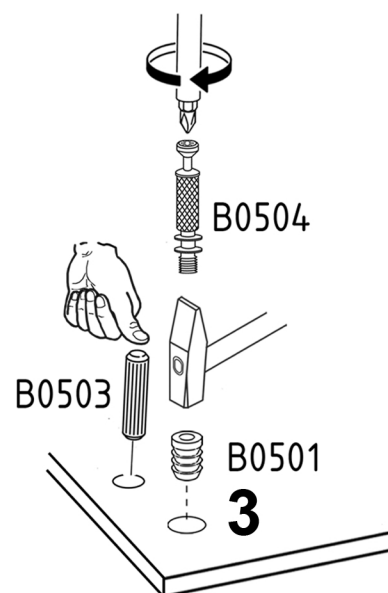
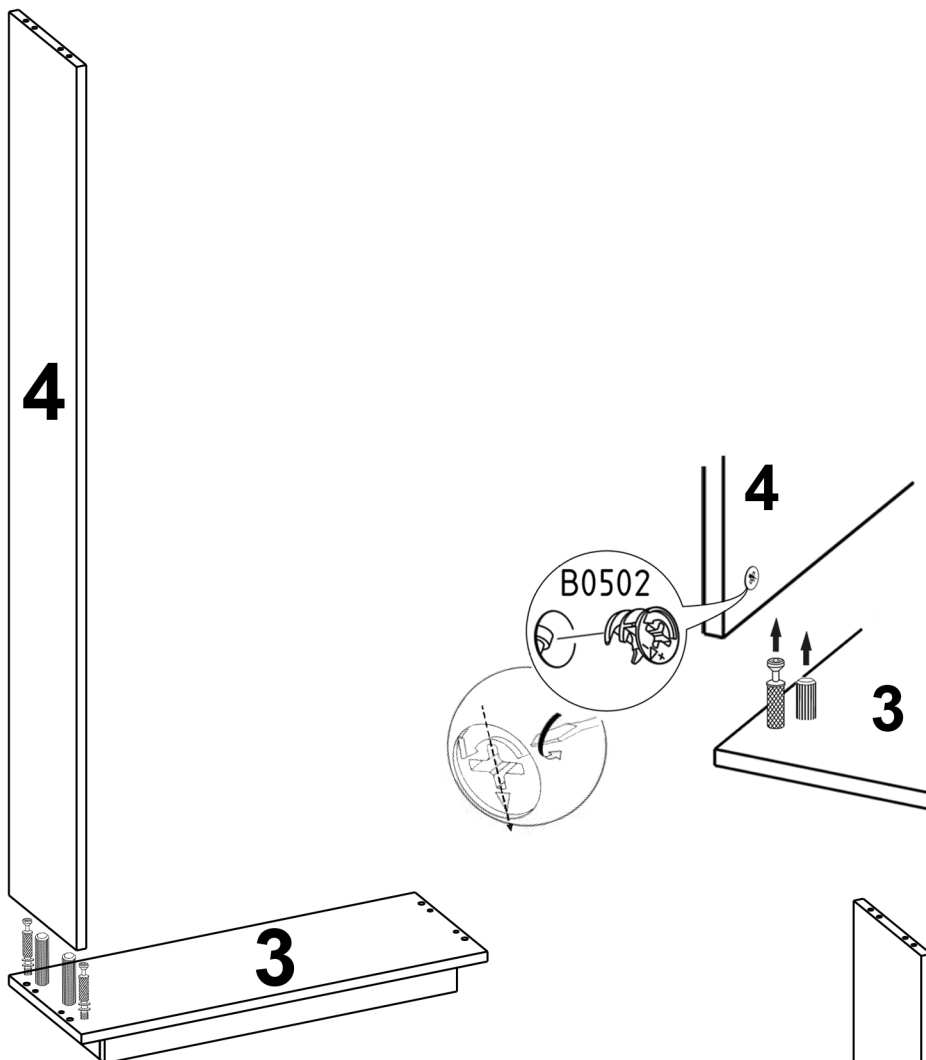
x10



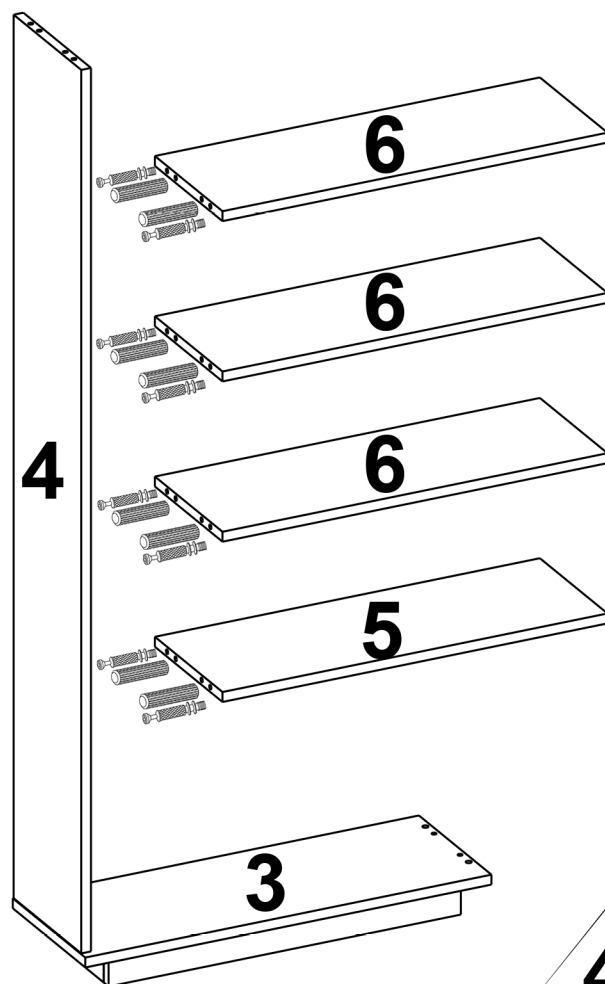
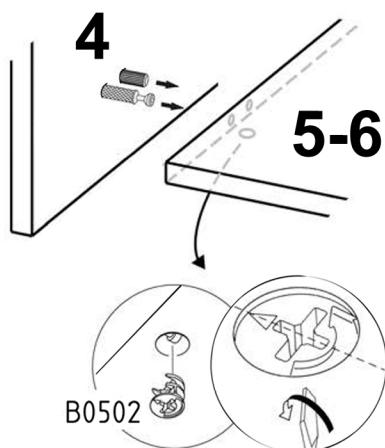
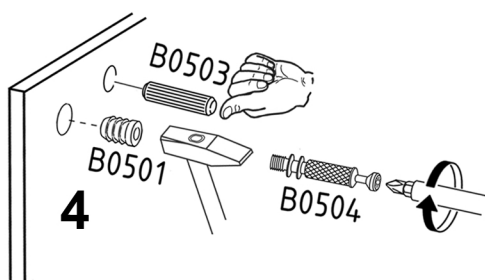
x10



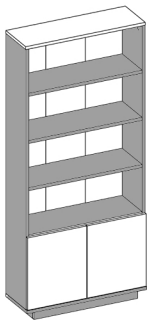
3



4



4

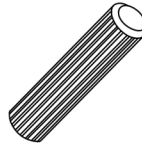


B0502

B0503

B0504

B0501

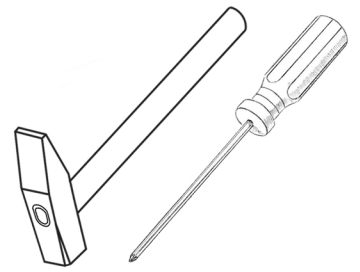


x10

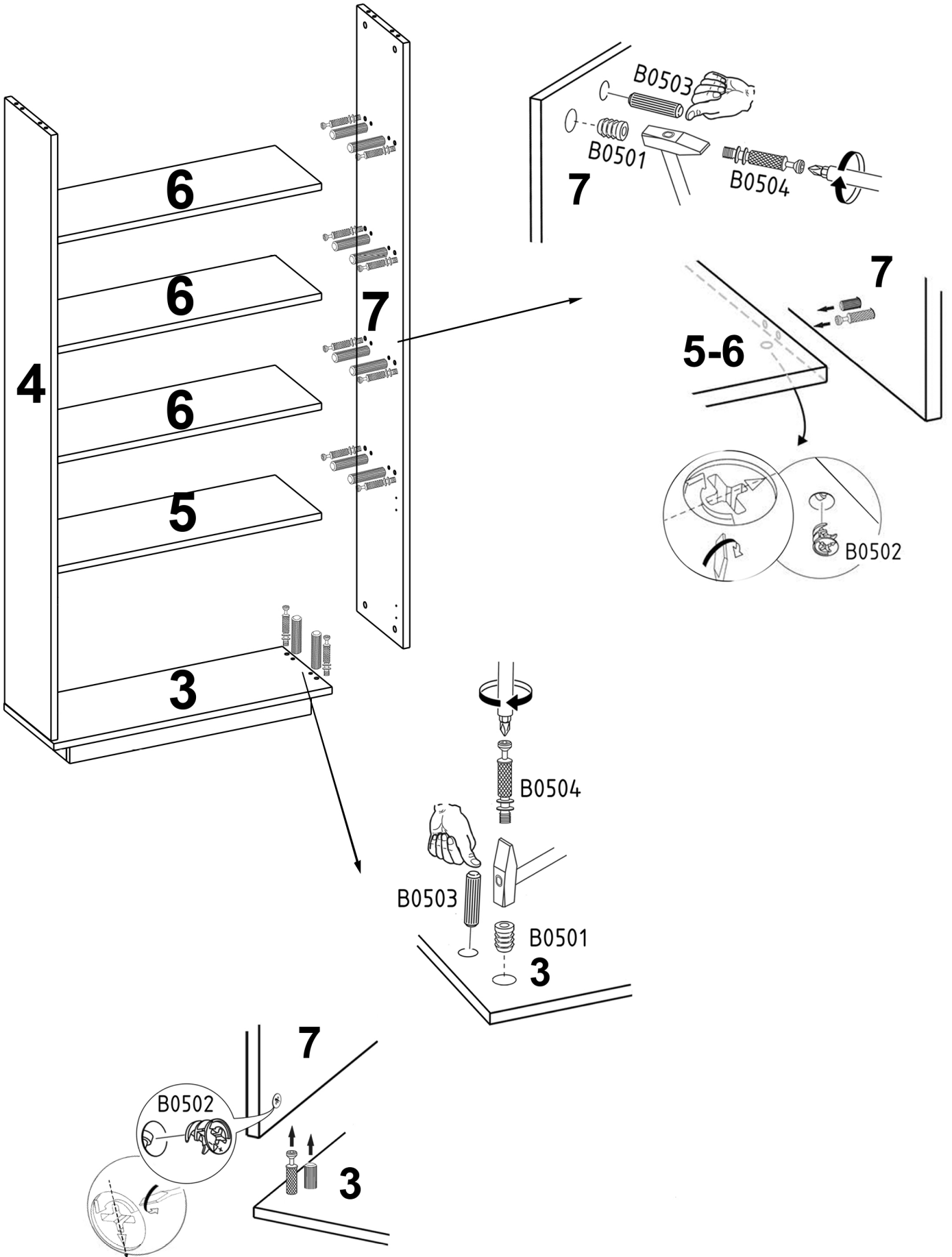
x10

x10

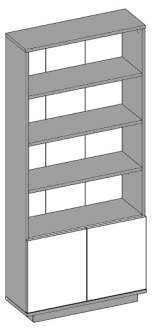
x10



5



5

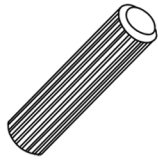


B0502



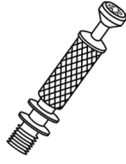
x4

B0503



x4

B0504



x4

B0501



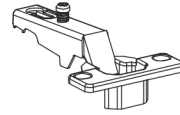
x4

B1403



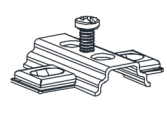
x2

B0101



x4

B0105



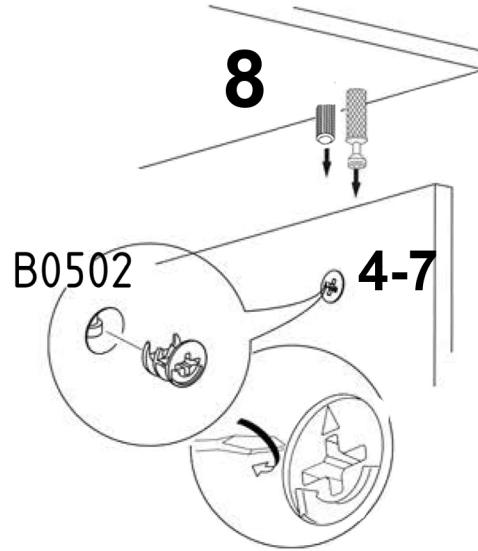
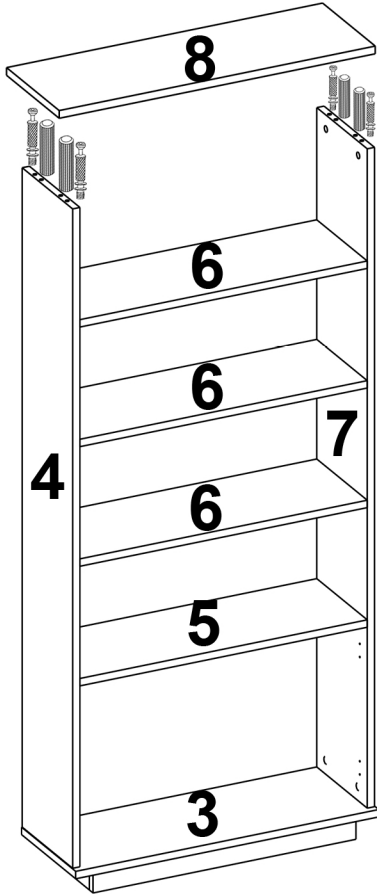
x4

B0301

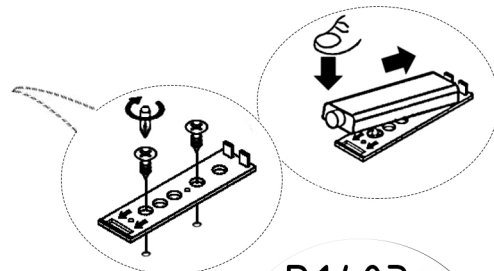


x20

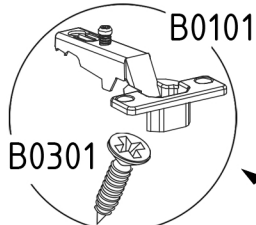
6



7

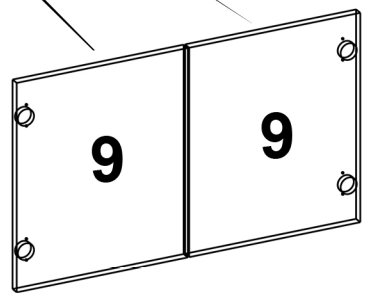


B1403



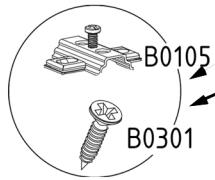
B0101

B0301



9

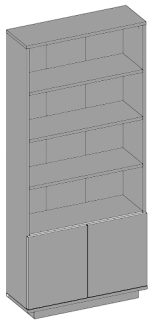
9



B0105

B0301

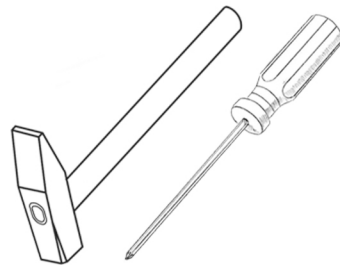
6



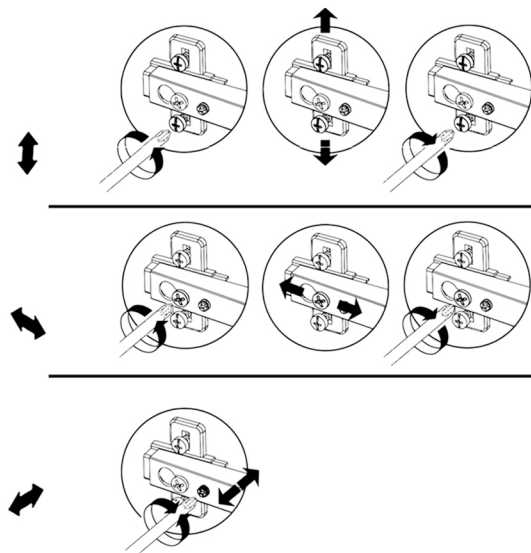
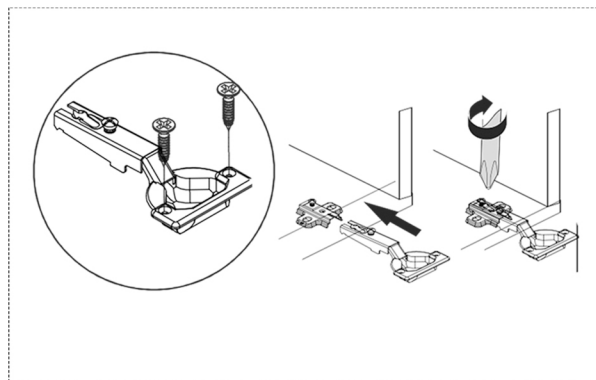
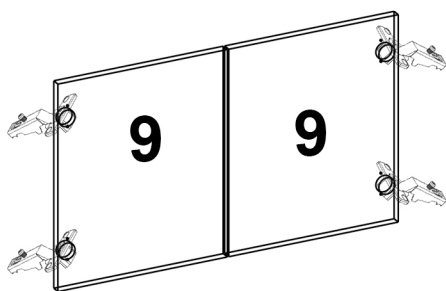
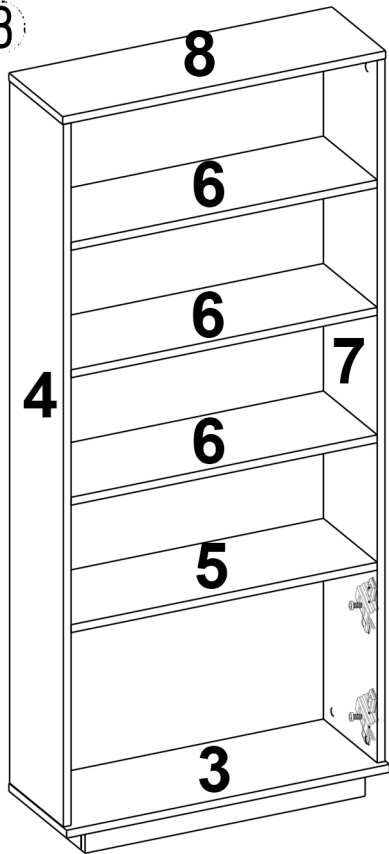
B0318



x50



8



9

