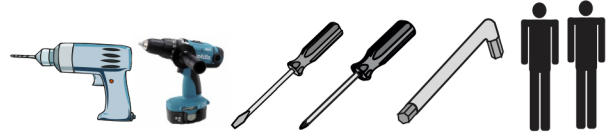
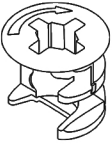
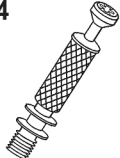
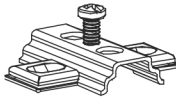

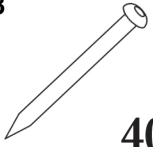
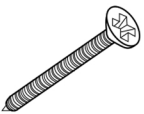
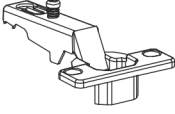




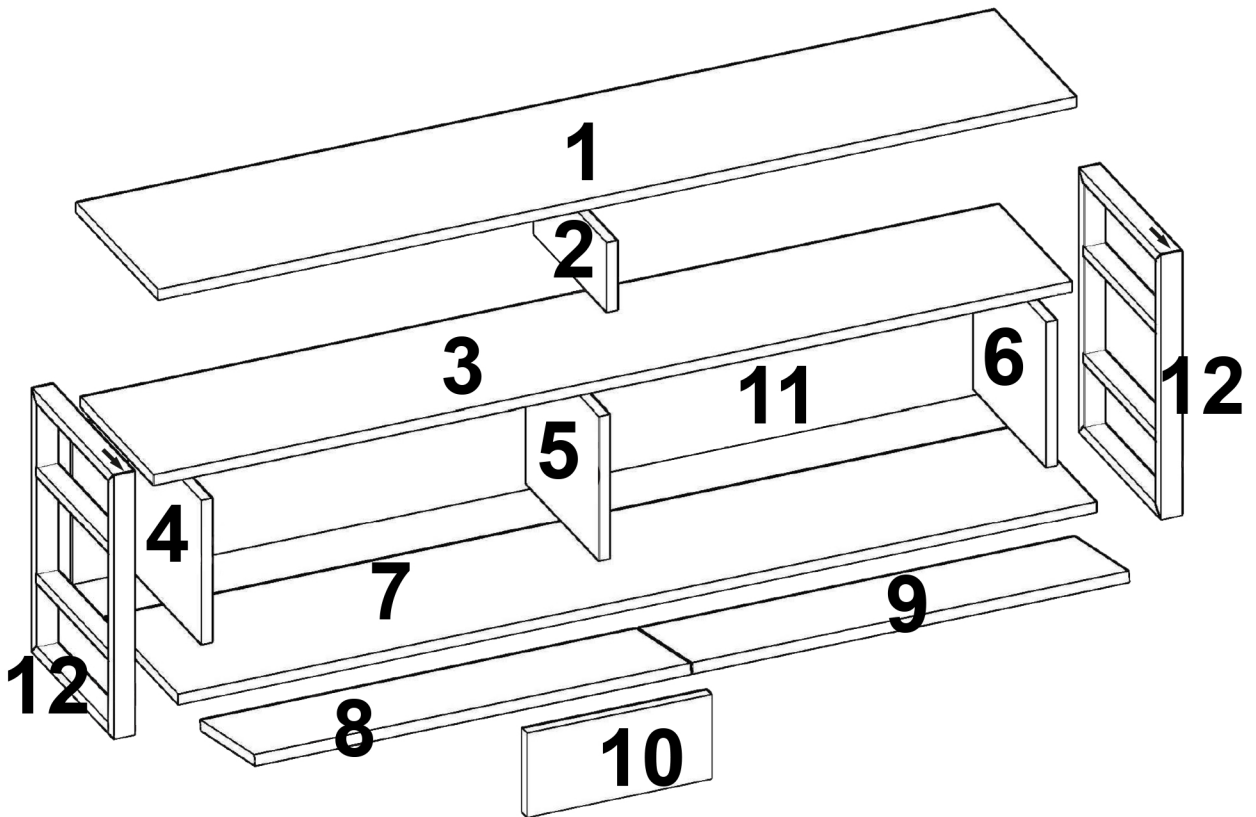
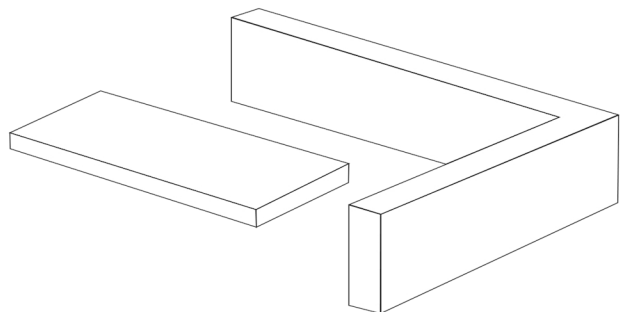
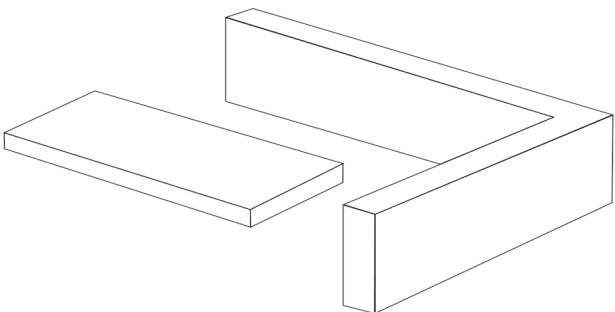
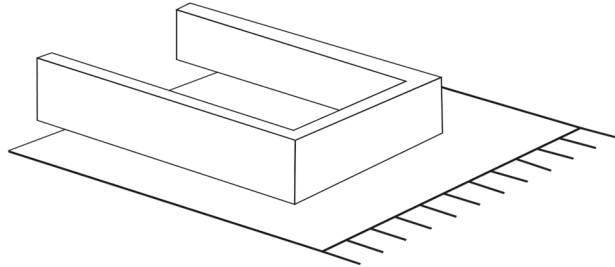
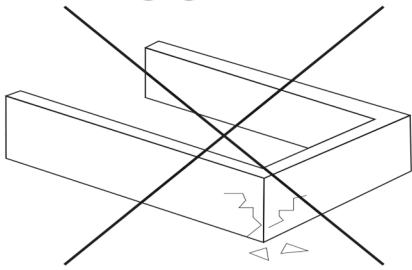
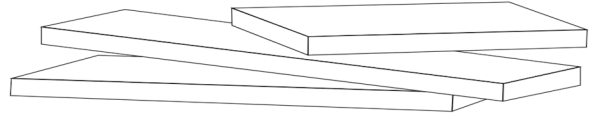
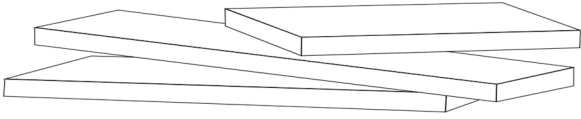
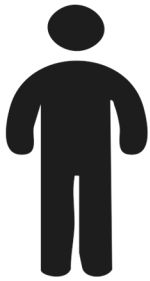


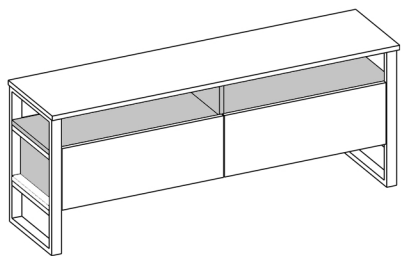
ML19



B0502  4x	B0504  4x	B0105  4x	B0305  12x	B0318  40x
B0304  14x	B0101  4x	B0301  16x	B1601  4x	B0405  14x
B0501  4x	1717x235 mm			







B0502 B0504 B0501 B0304



x2



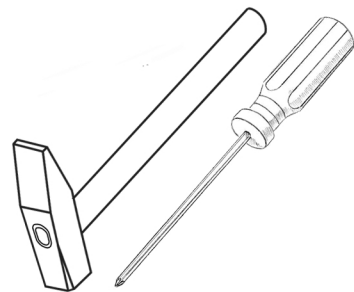
x2



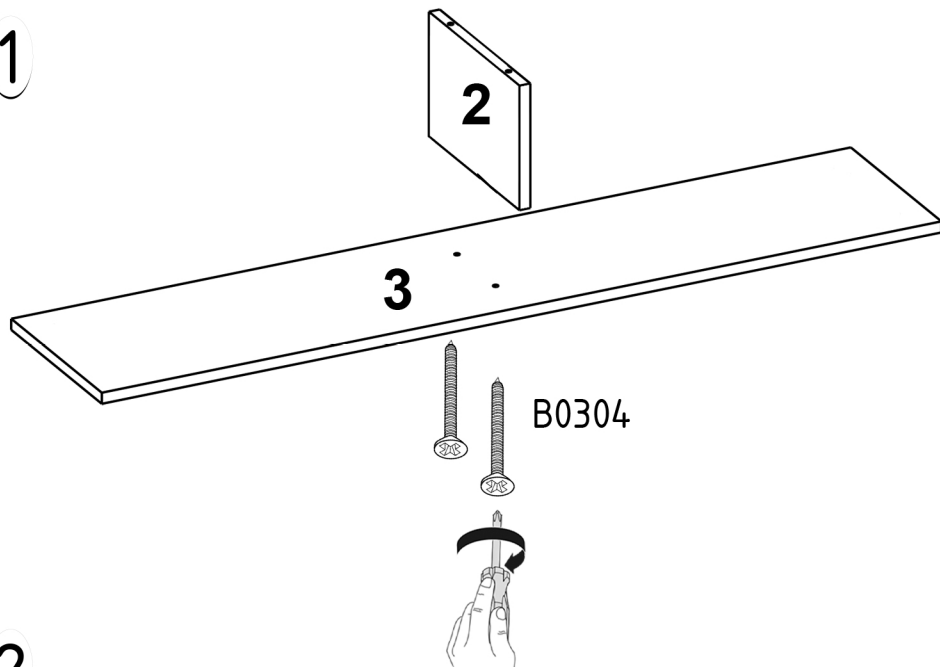
x2



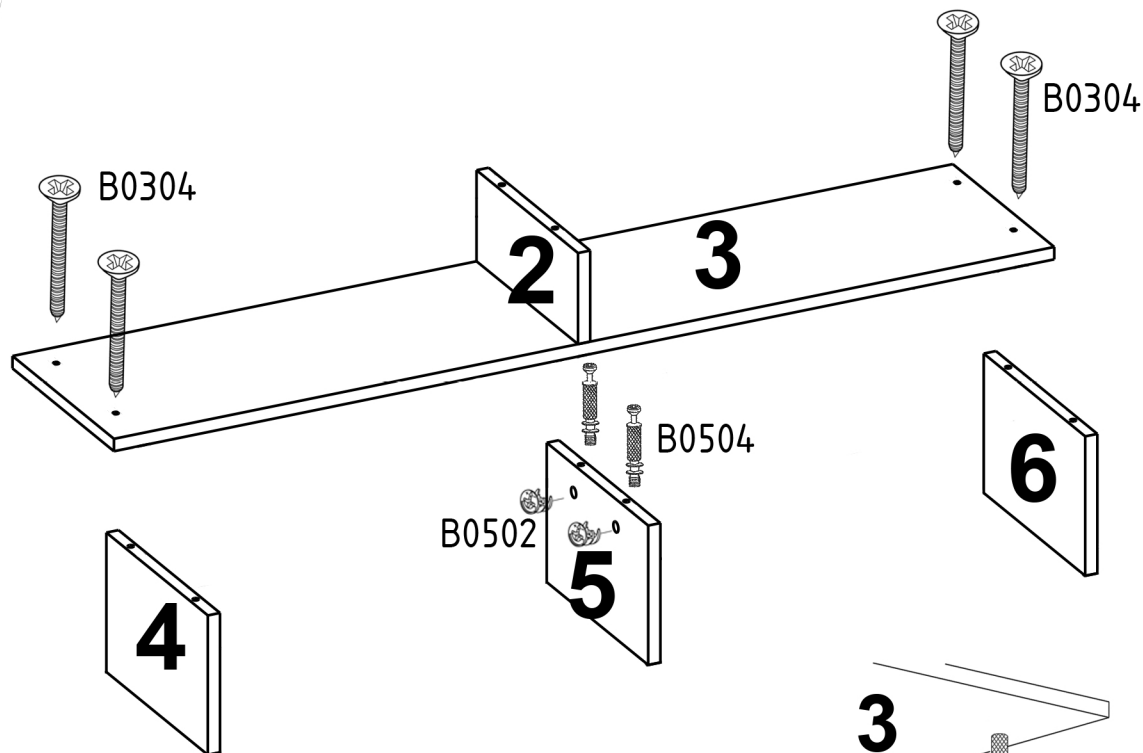
x6



1



2



B0501

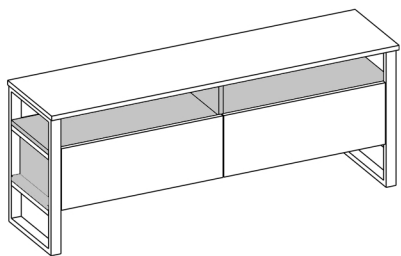
B0502

B0504

B0501

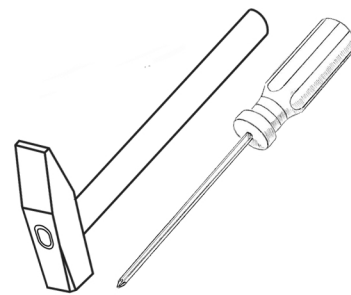
B0504

2

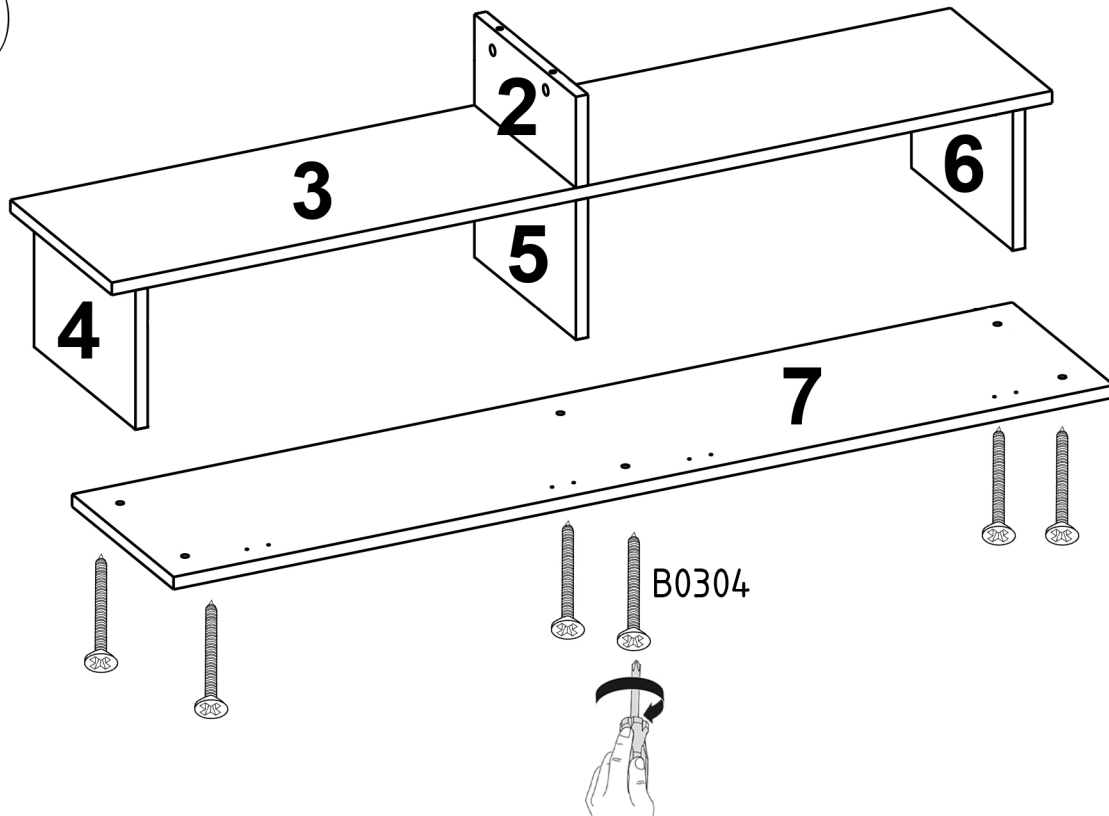


B0305

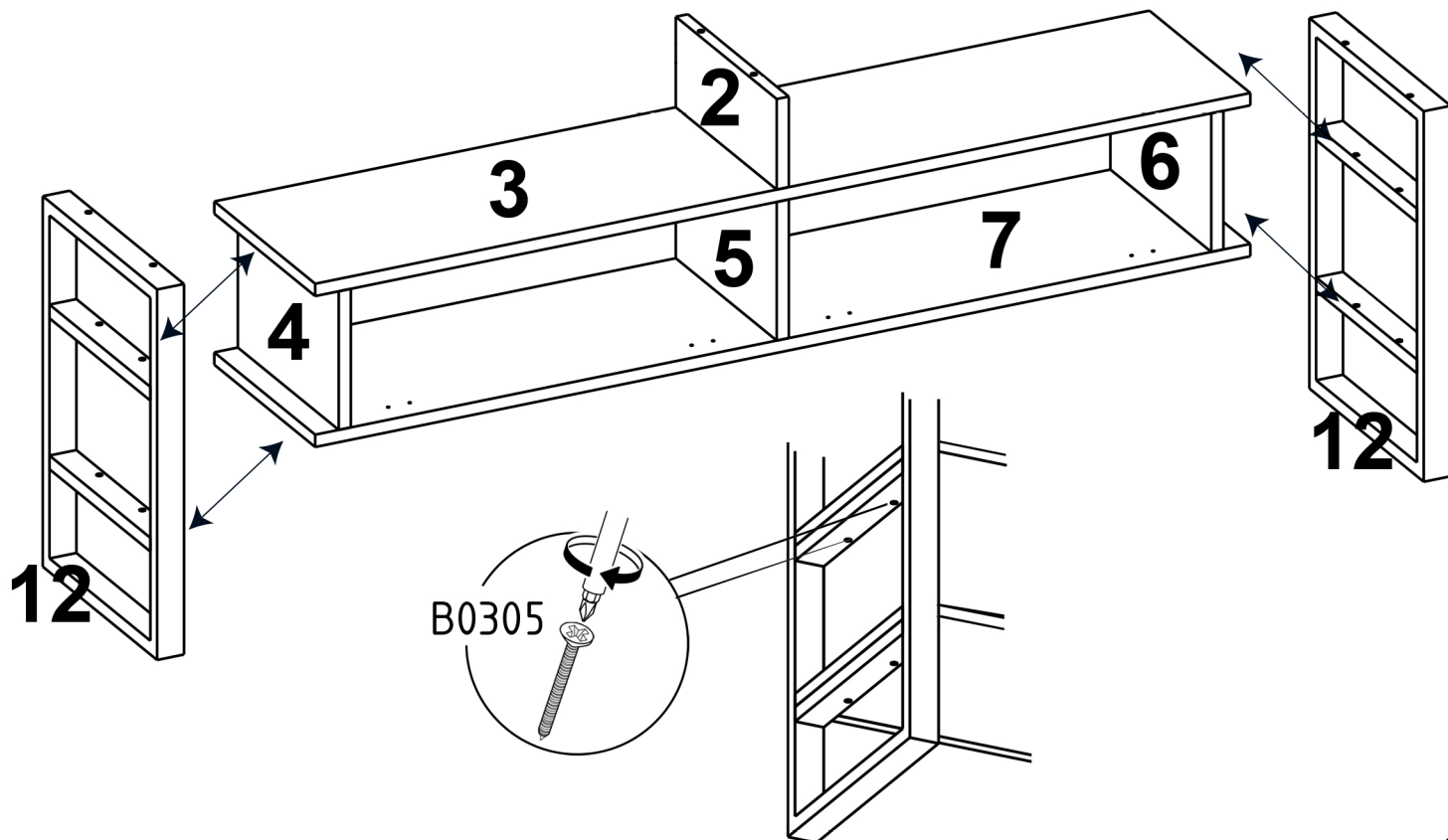
B0304



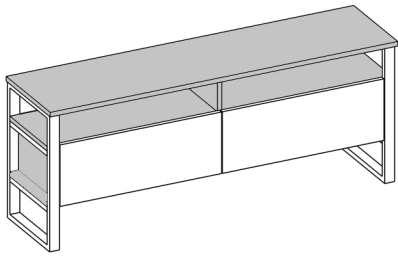
3



4



3



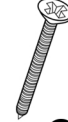
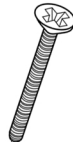
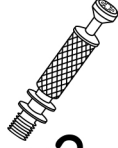
B0502

B0504

B0501

B0305

B0304



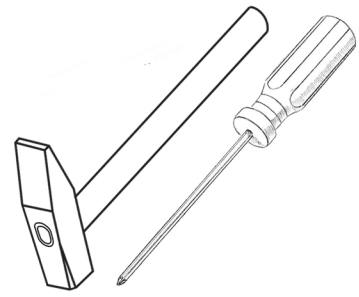
x2

x2

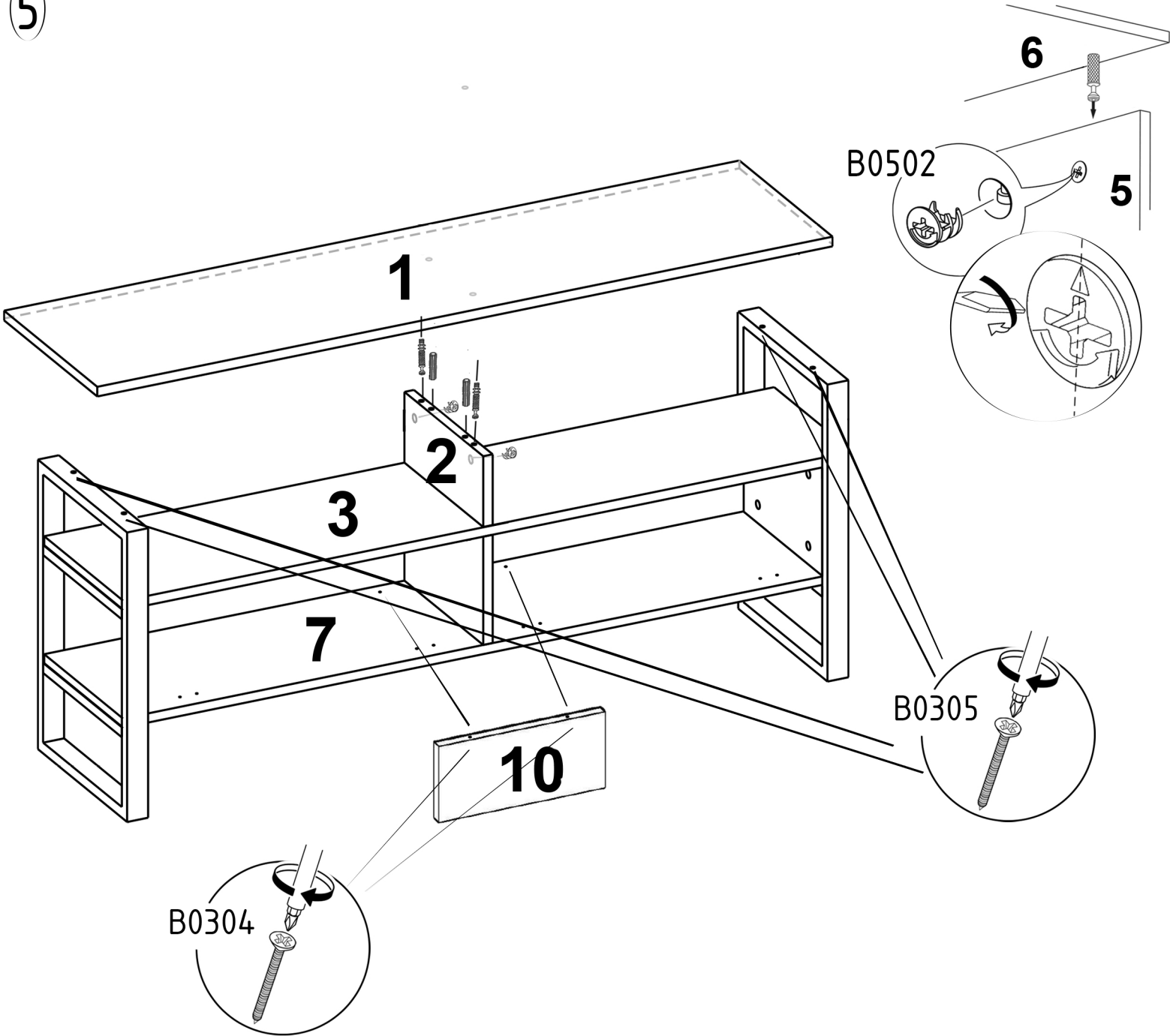
x2

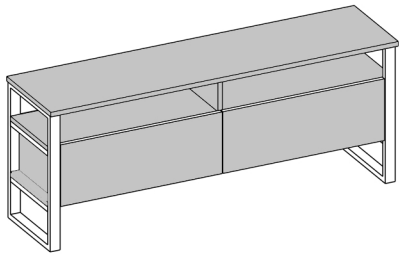
x4

x2



5

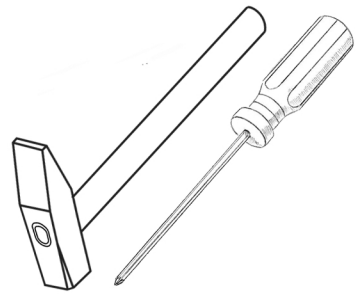
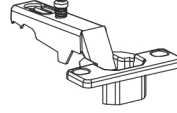
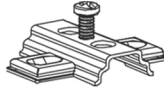




B0301

B0105

B0101

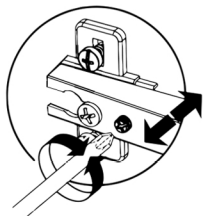
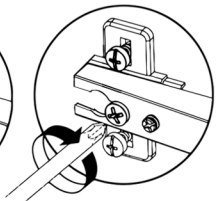
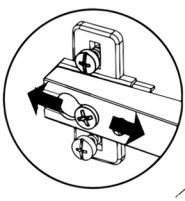
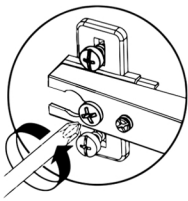
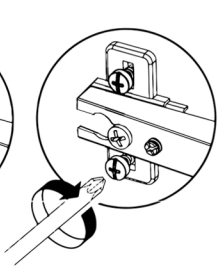
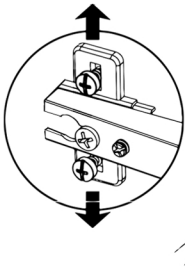
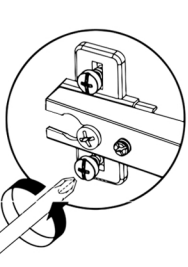
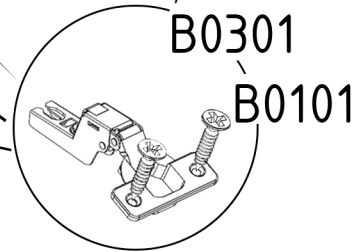
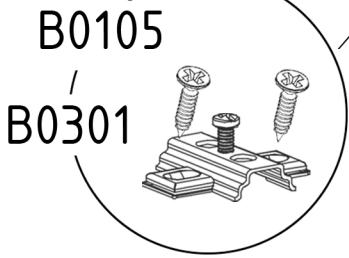
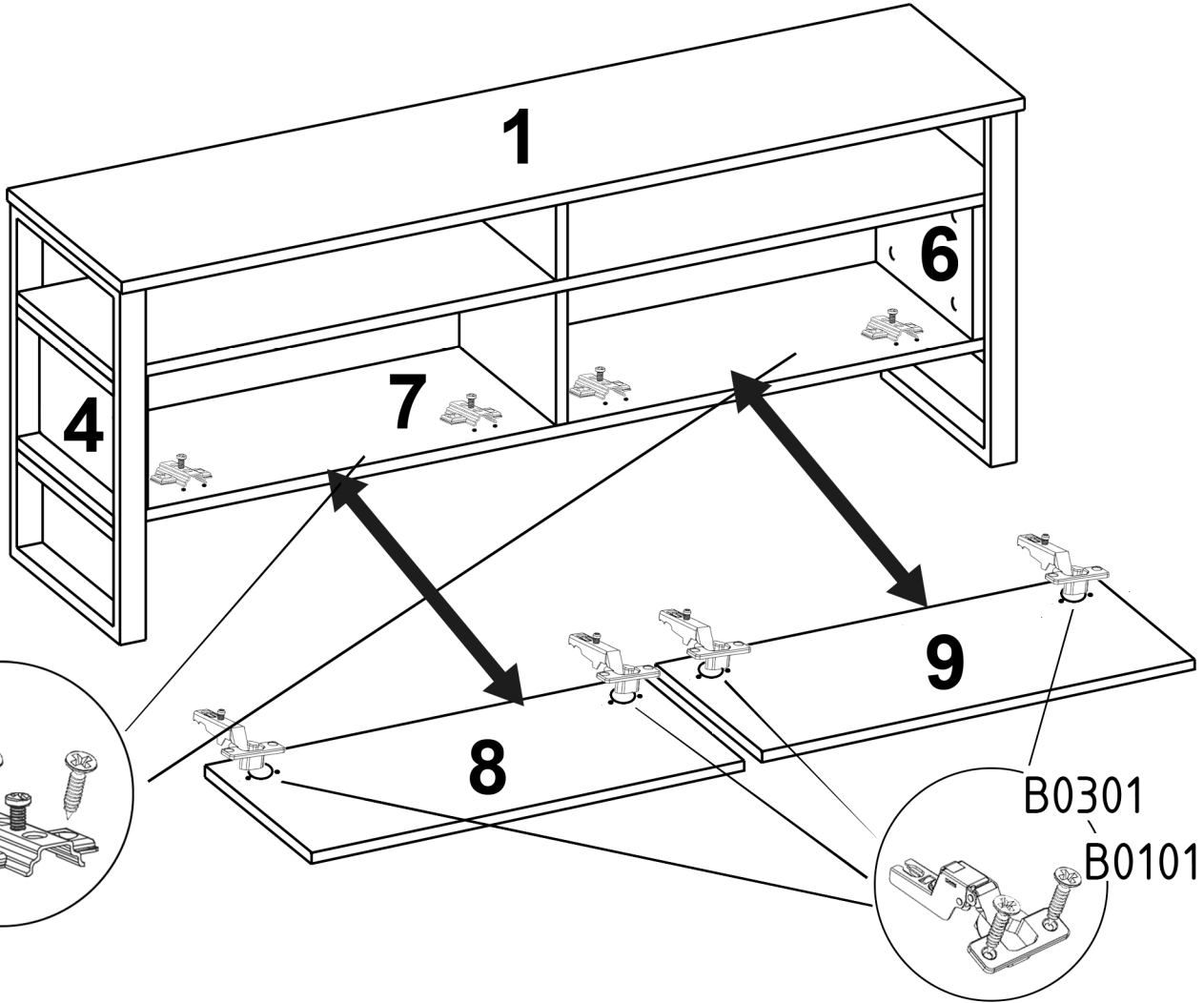


x16

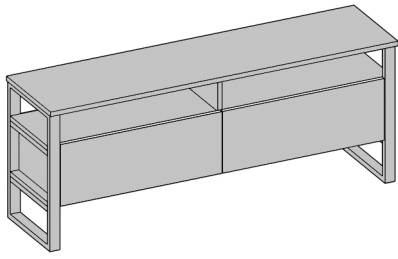
x4

x4

6



5



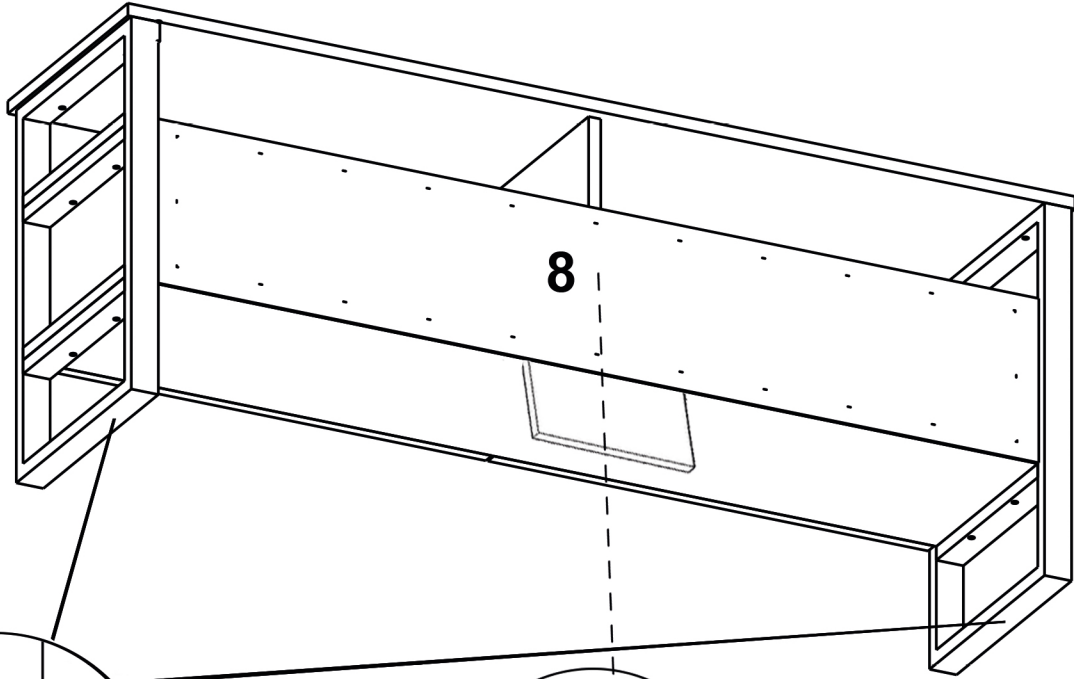
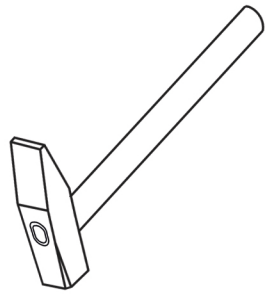
B0318

B1601

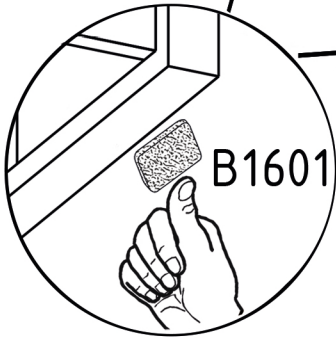


x40

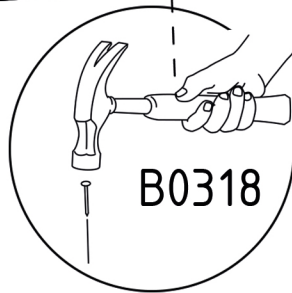
x4



8



B1601



B0318

