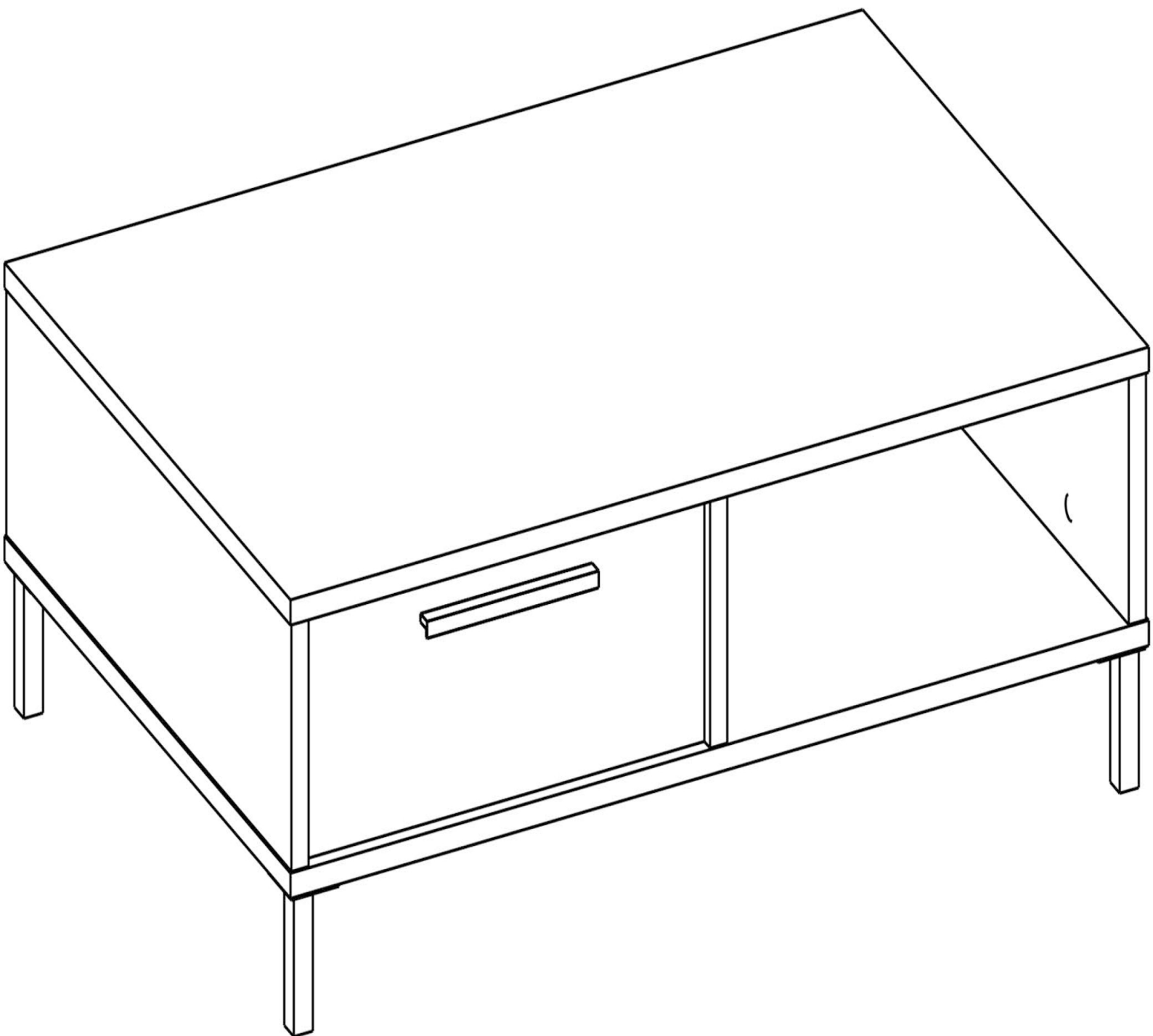
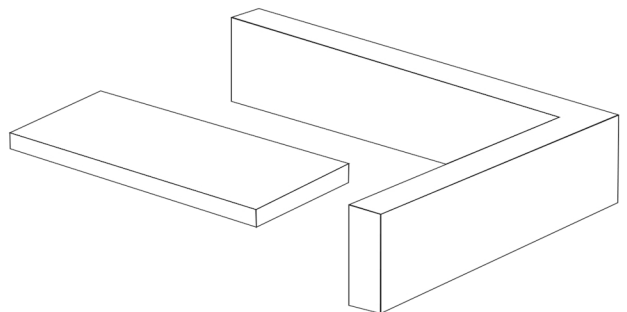
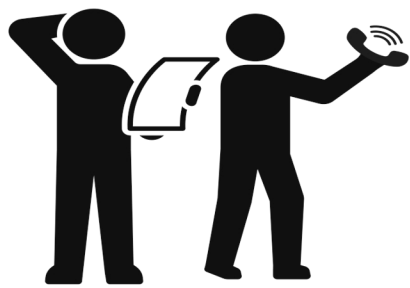
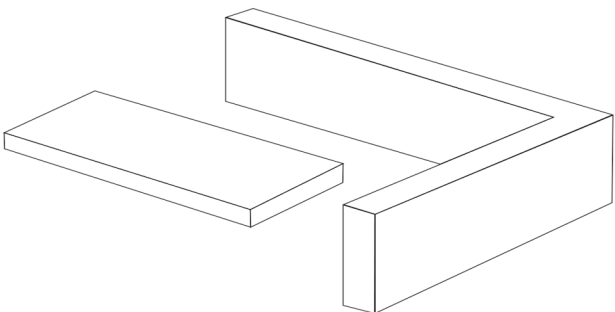
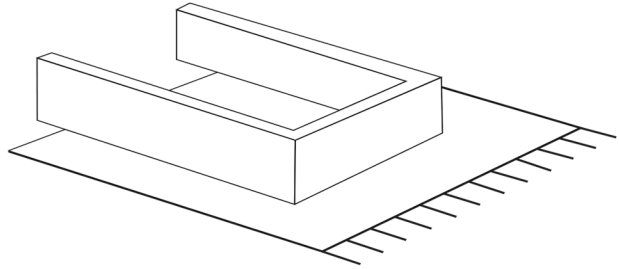
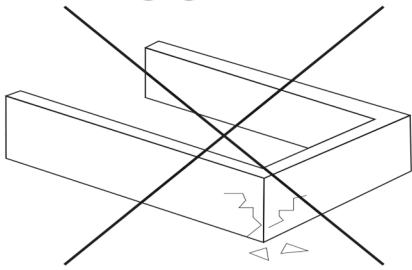
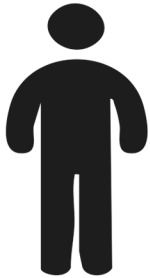
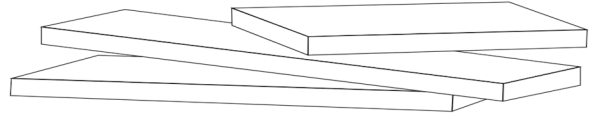
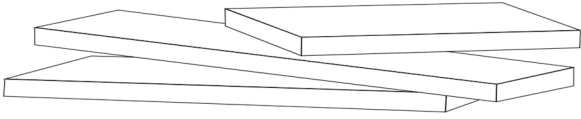
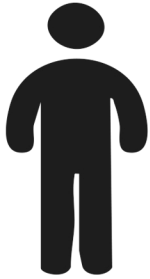


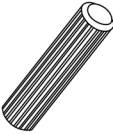


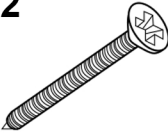


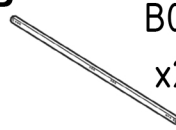

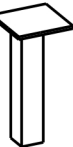
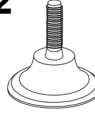


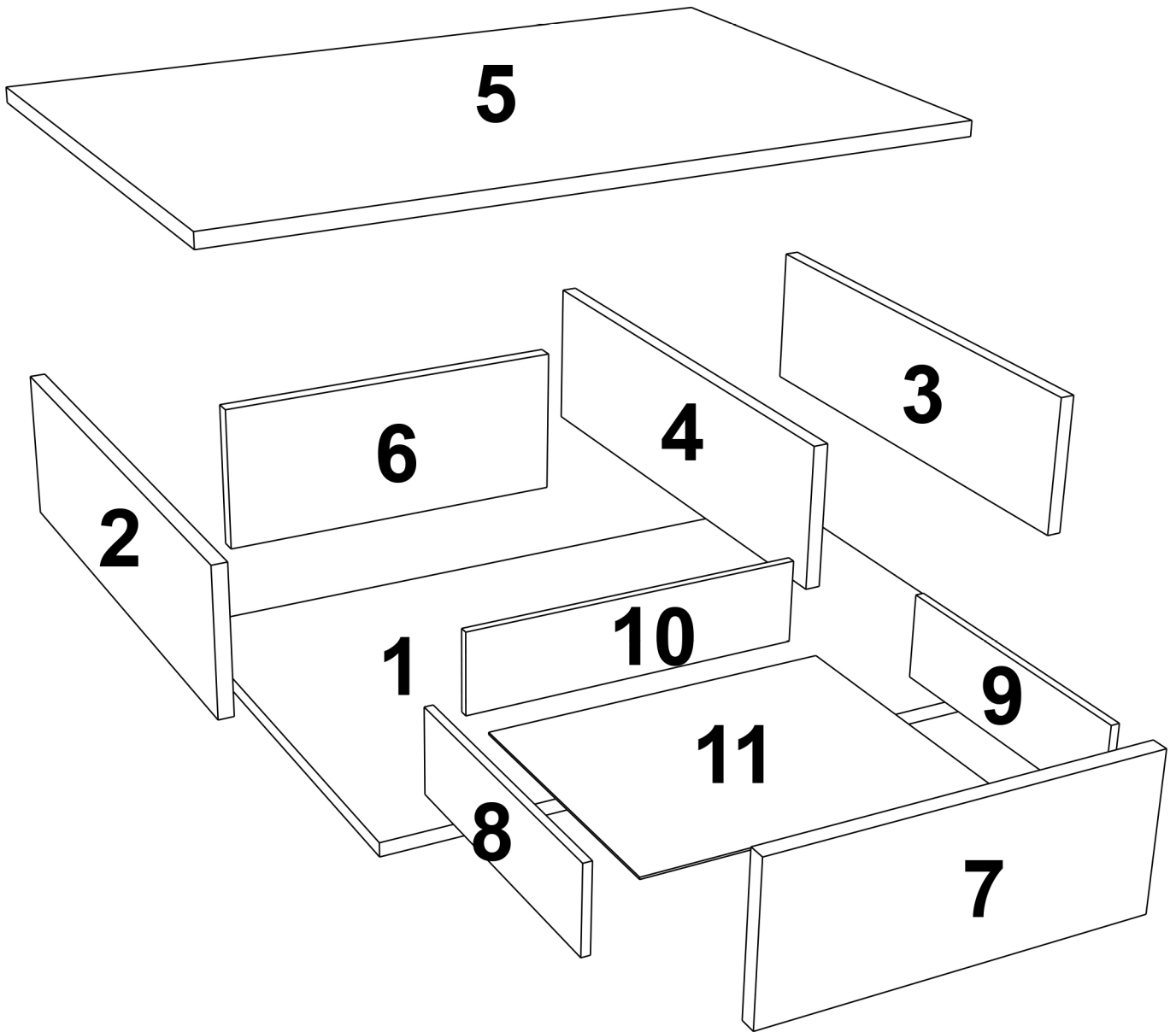


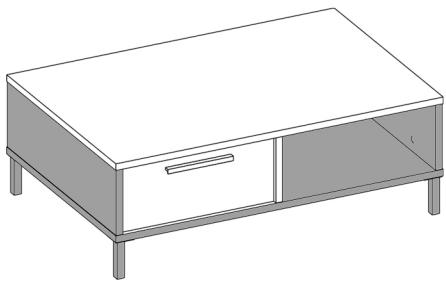
LV18





1  B0501 x16	1  B0502 x16	1  B0503 x16	1  B0504 x16	2  B0301 x18
2  B0304 x4	2  B0511 x4	2  B0510 x4	P  B0905 x2	2  B0328 x2
P  D0154 x4	2  B1702 x4	2  B0307 x2	2  B0201 x1	



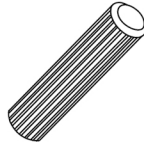


B0502



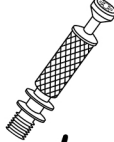
x4

B0503



x4

B0504



x4

B0501

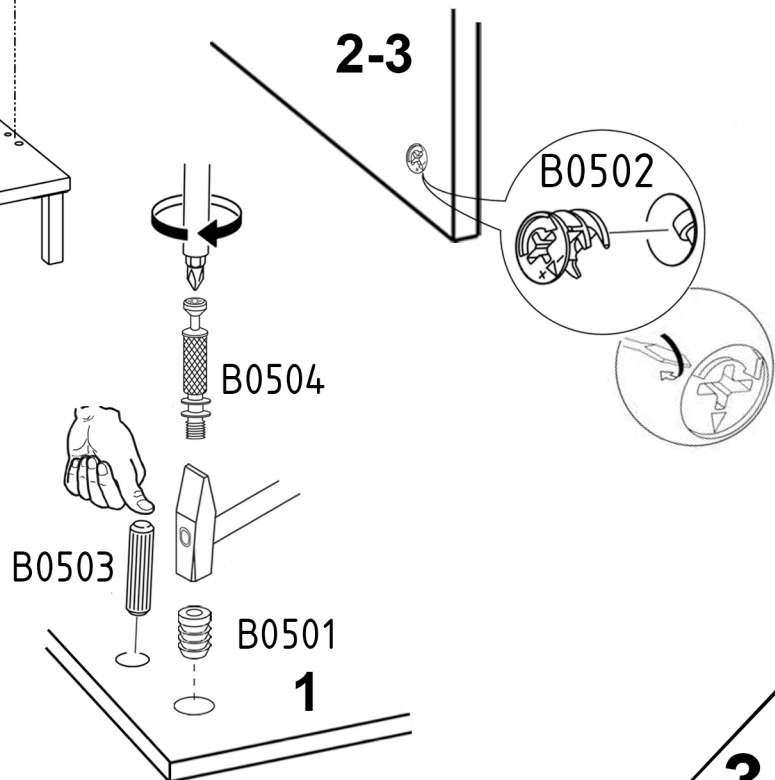
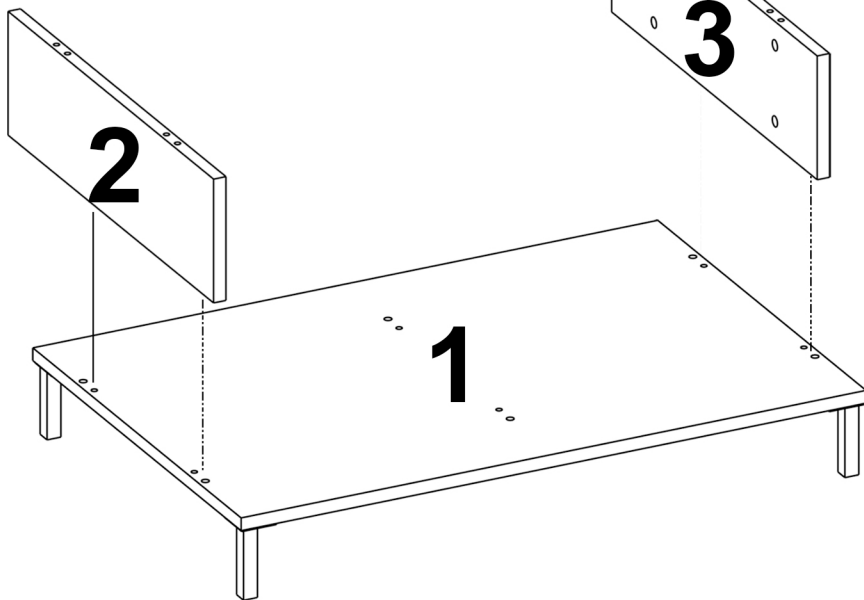
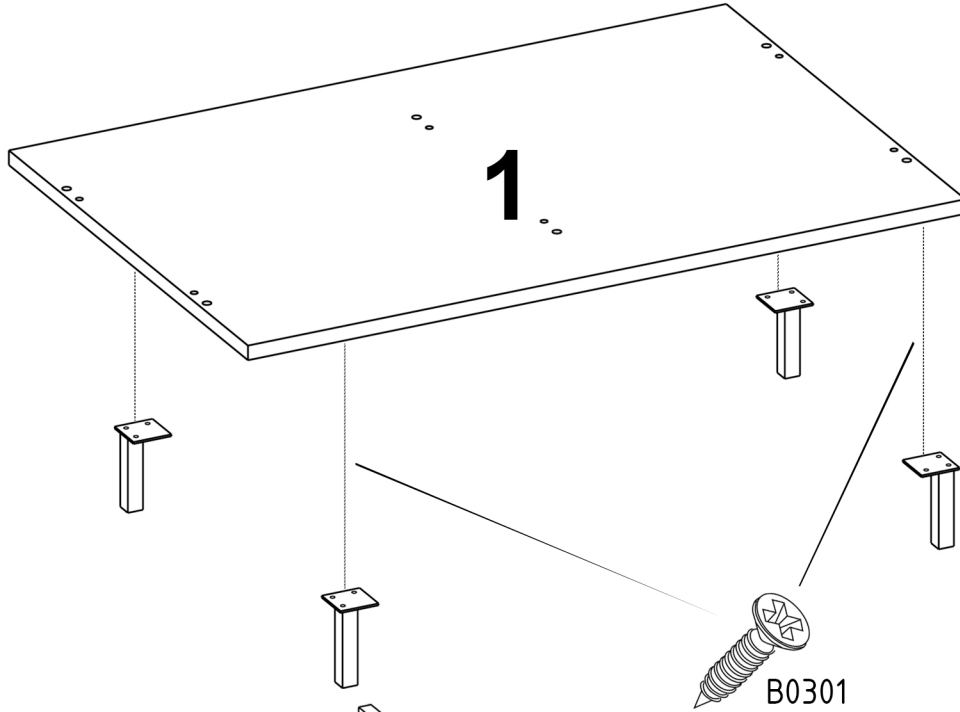
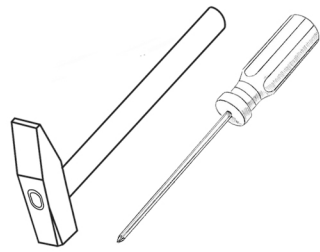


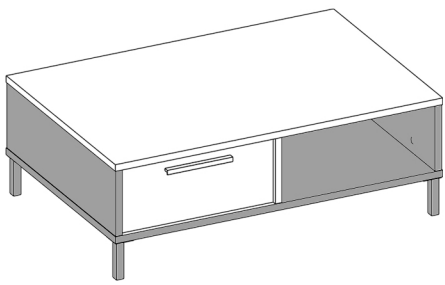
x4

B0301



x12



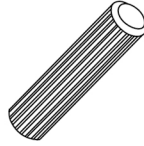


B0502



x2

B0503



x2

B0504

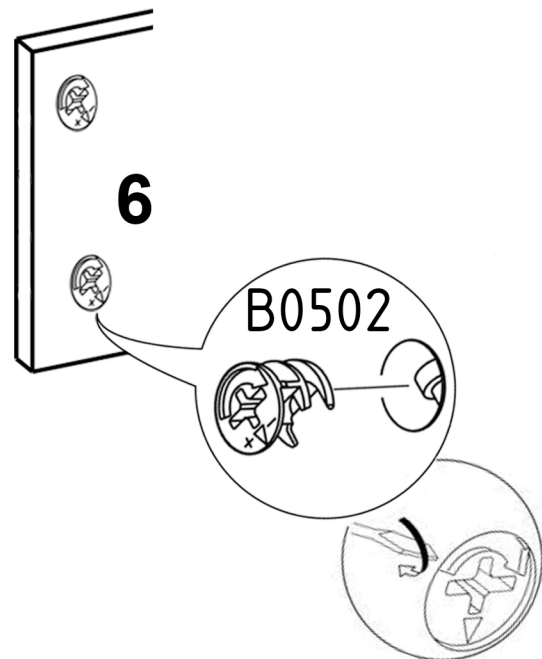
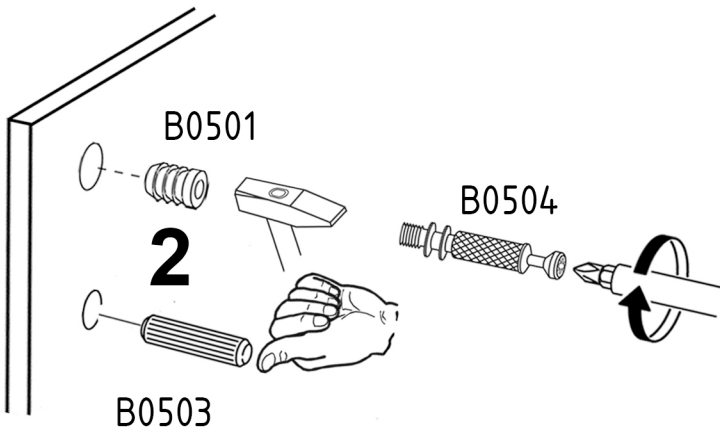
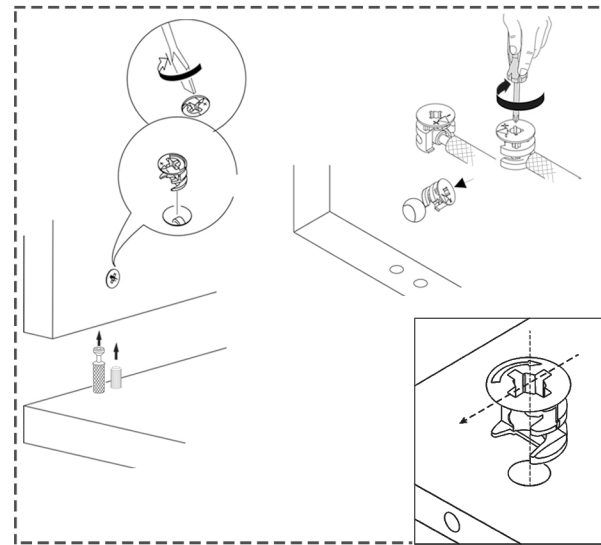
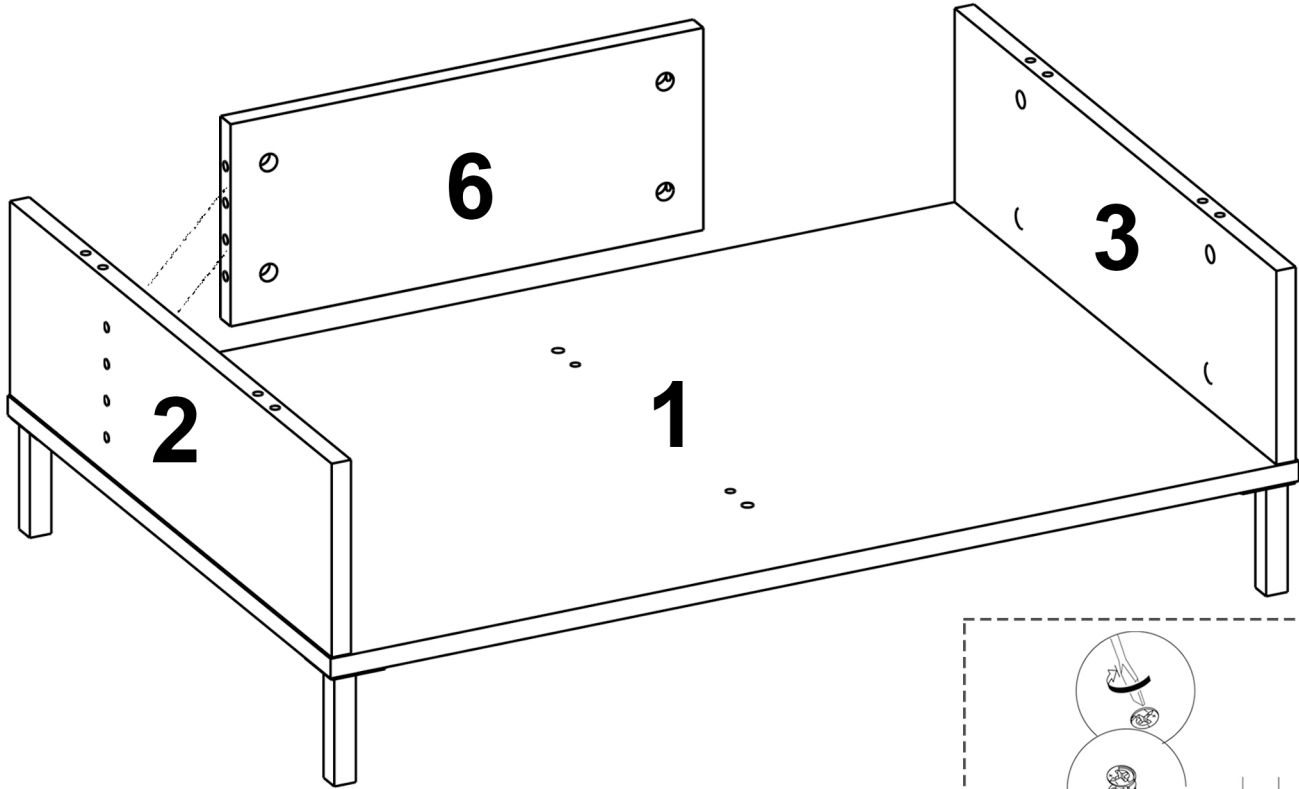
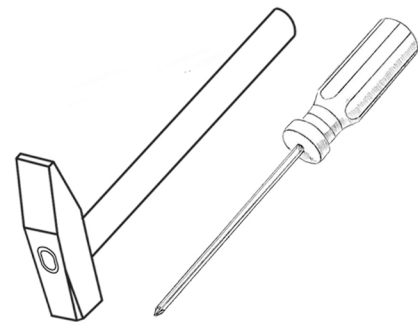


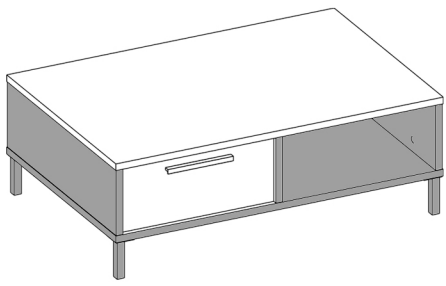
x2

B0501



x2



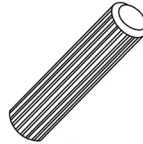


B0502



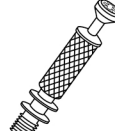
x4

B0503



x4

B0504

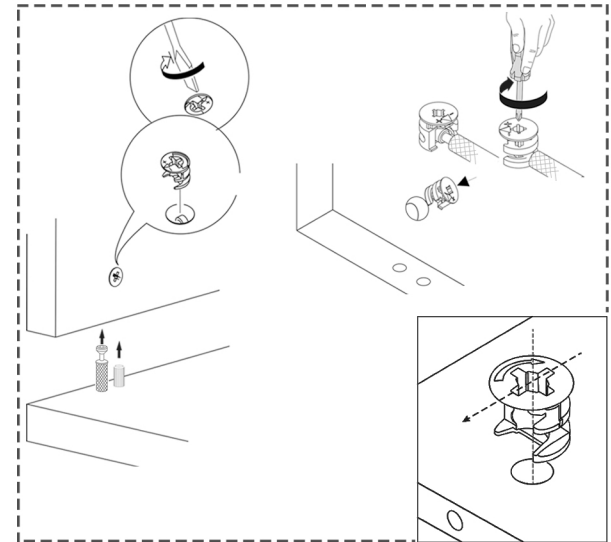
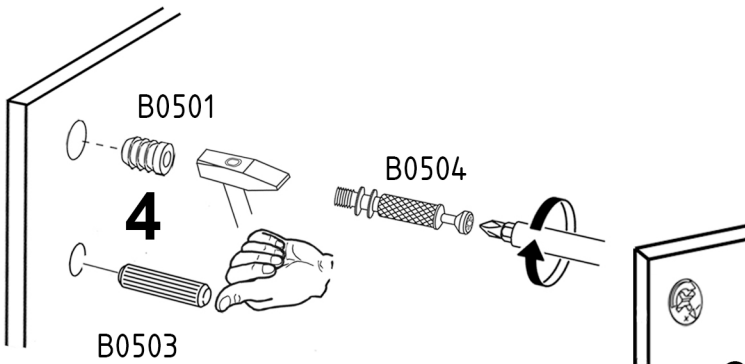
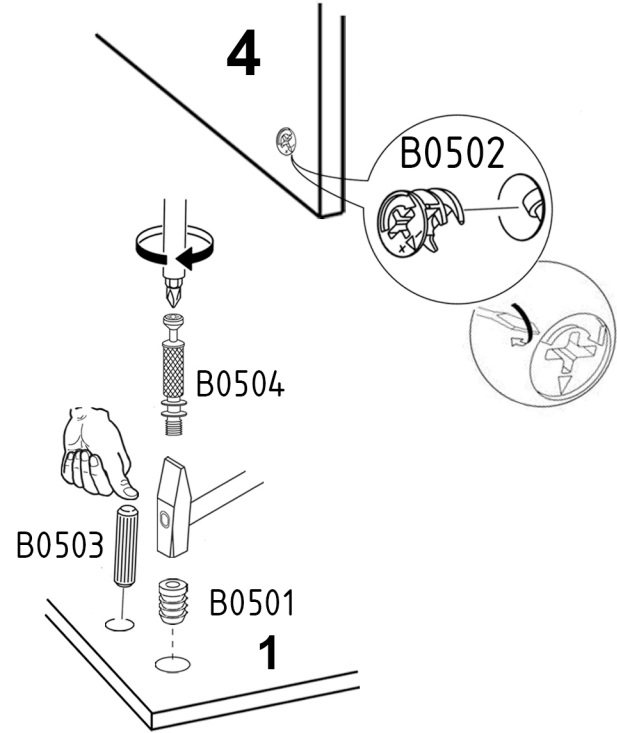
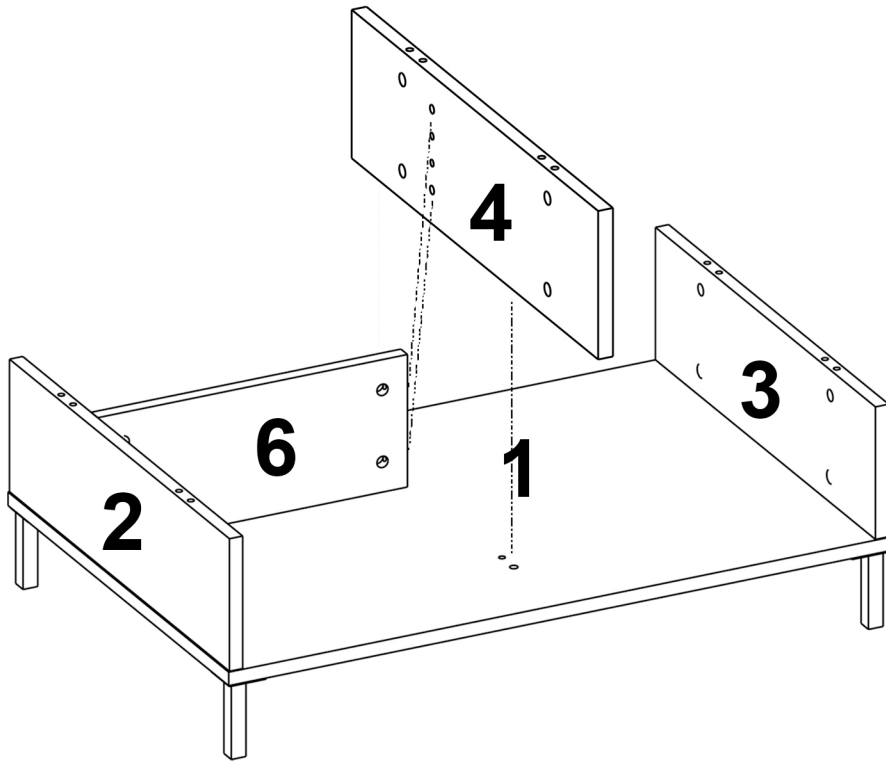
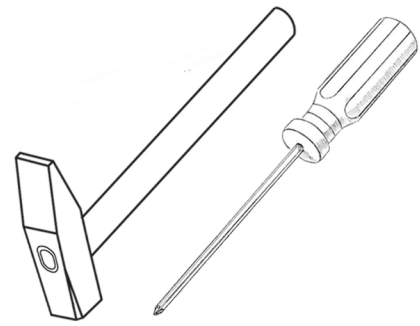


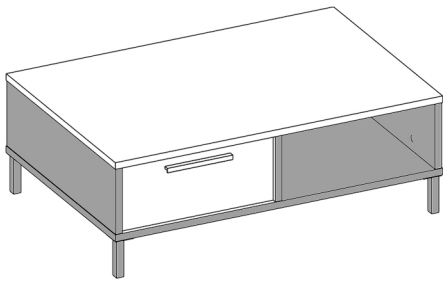
x4

B0501



x4





B0510

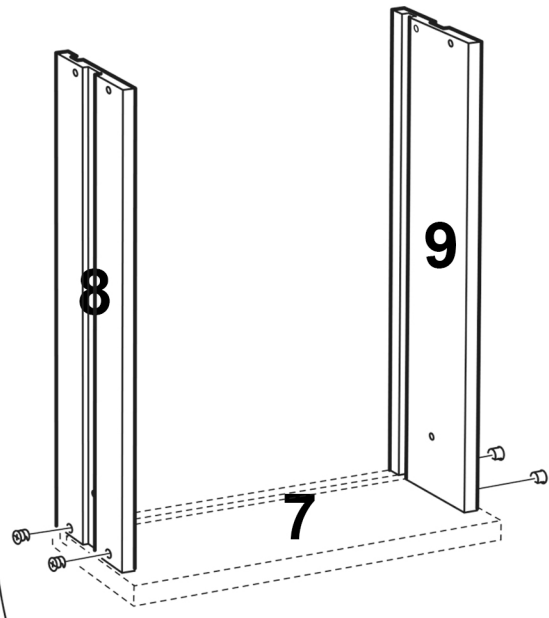
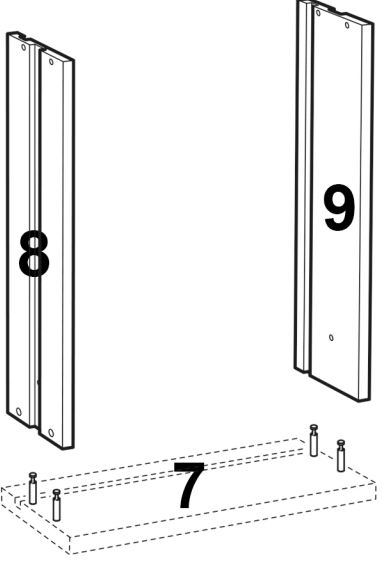
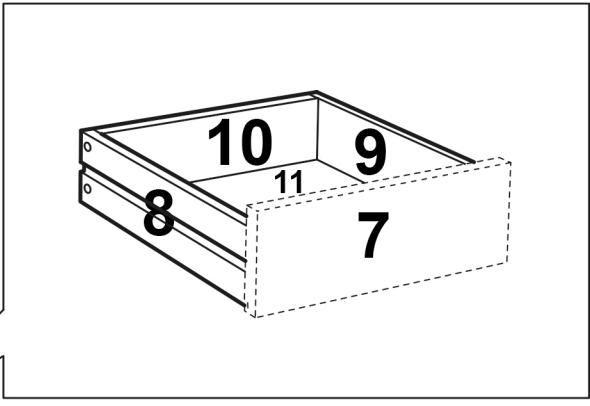
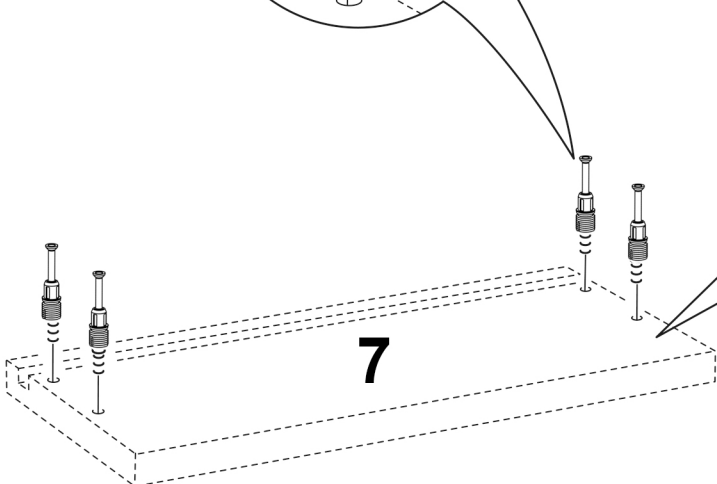
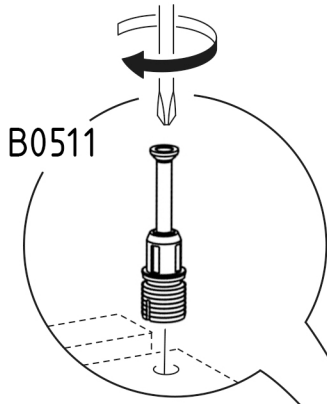
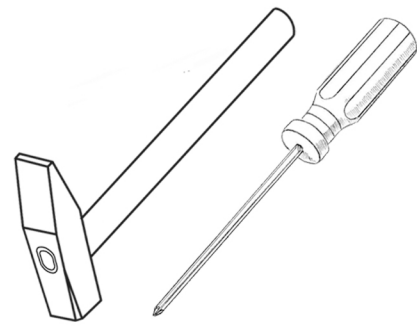


x4

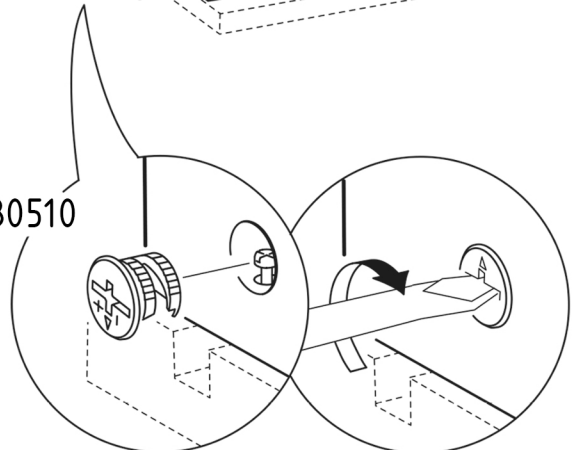
B0511

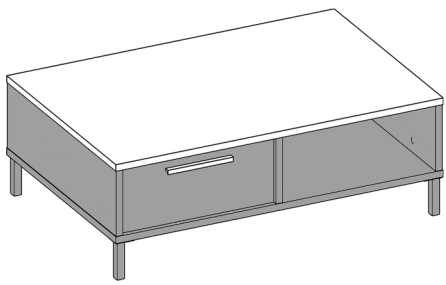


x4



B0510





B0304



x4

B0301

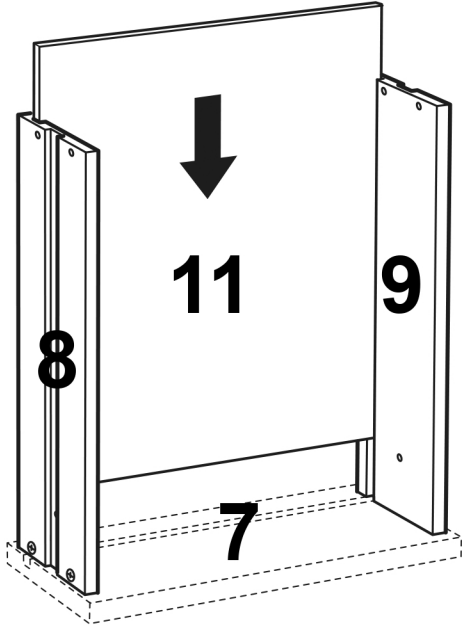
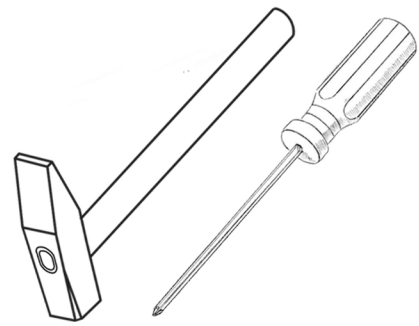


x4

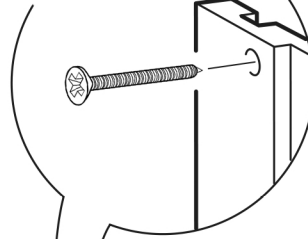
B0328



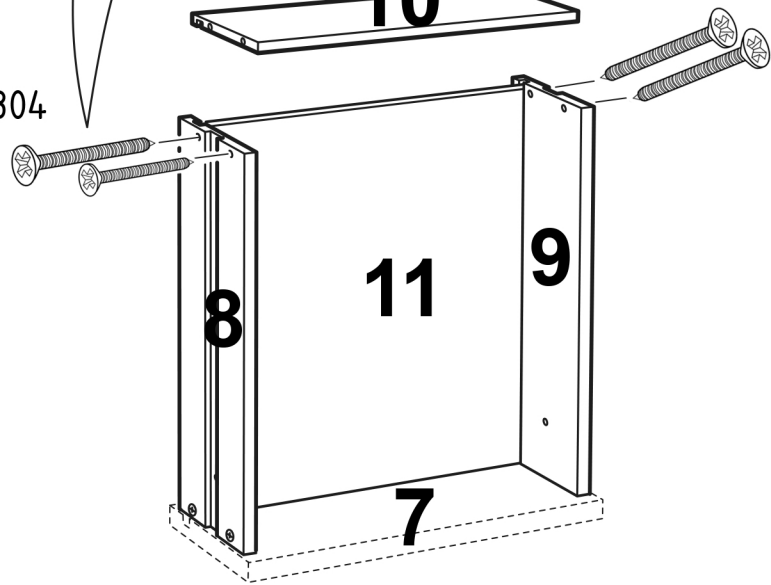
x2



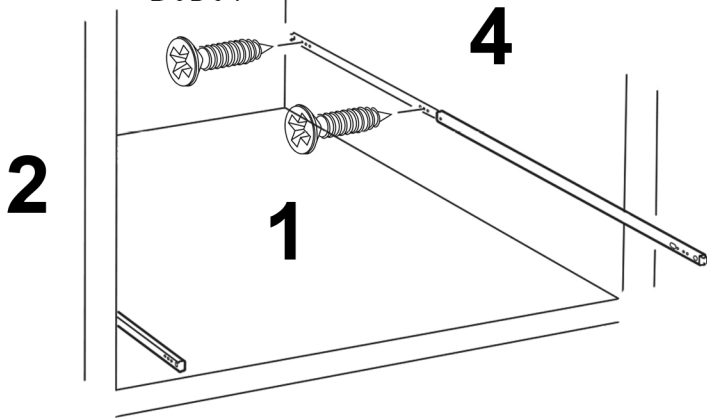
B0304



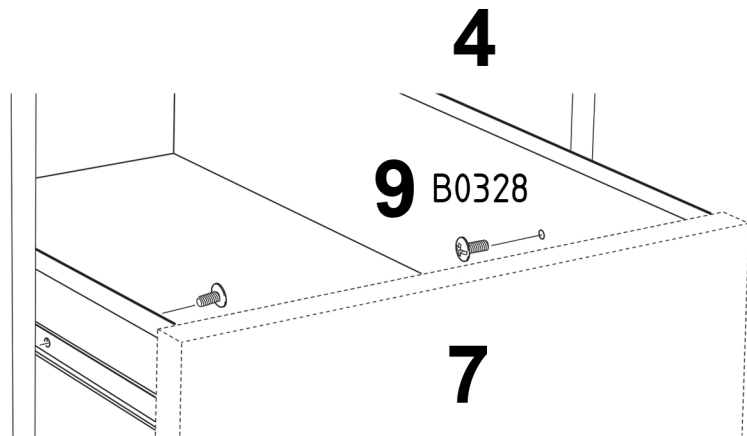
B0304

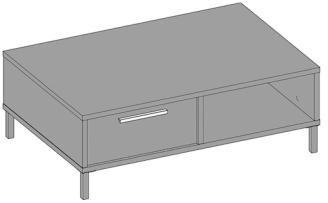


B0301



2





- B0502

x6
- B0503

x6
- B0504

x6
- B0501

x6
- B0307

x2
- D0154

x1
- B1702

x4

