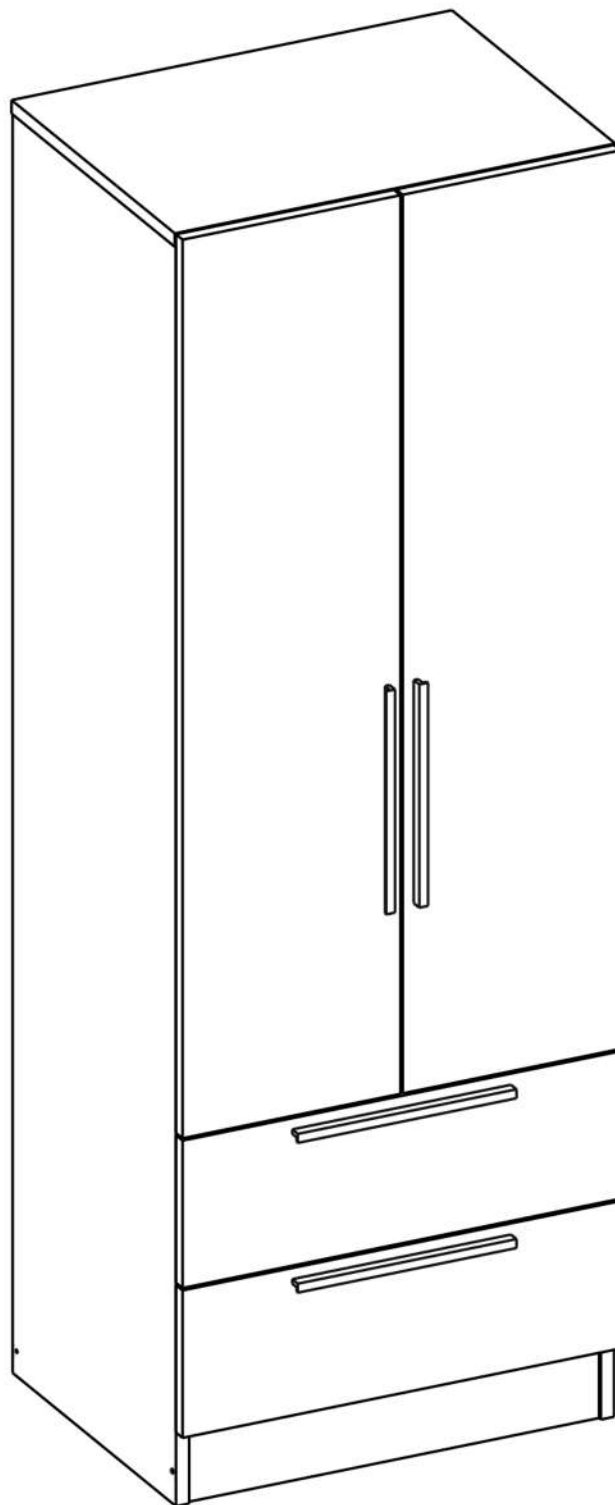
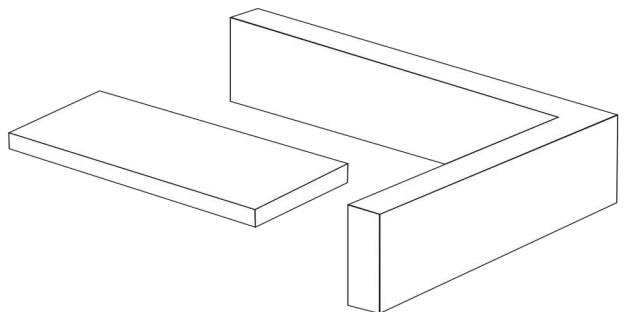
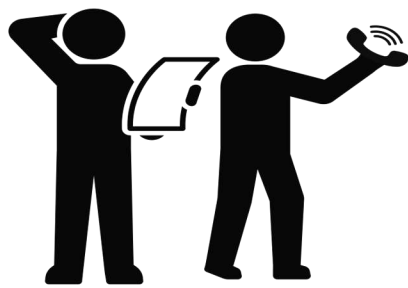
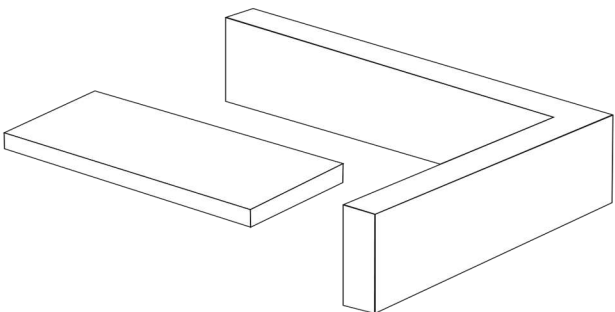
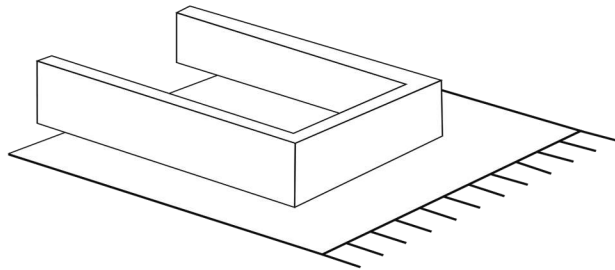
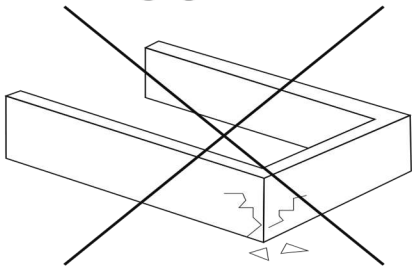
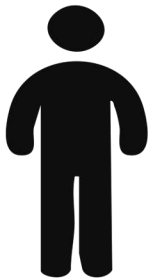
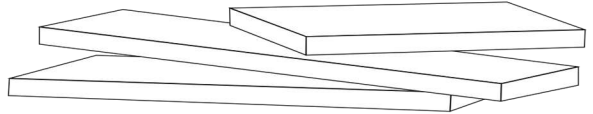
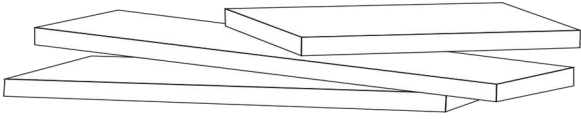







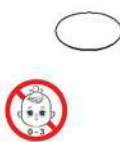










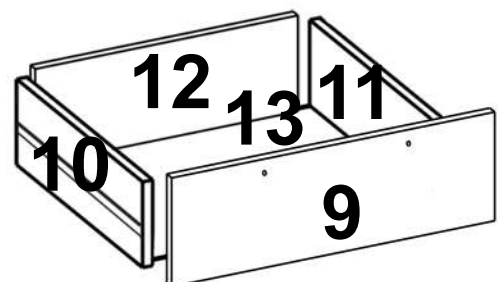
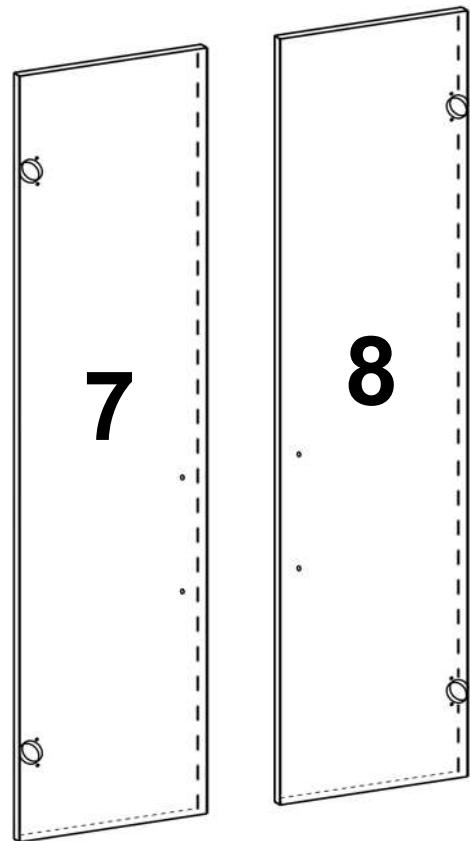
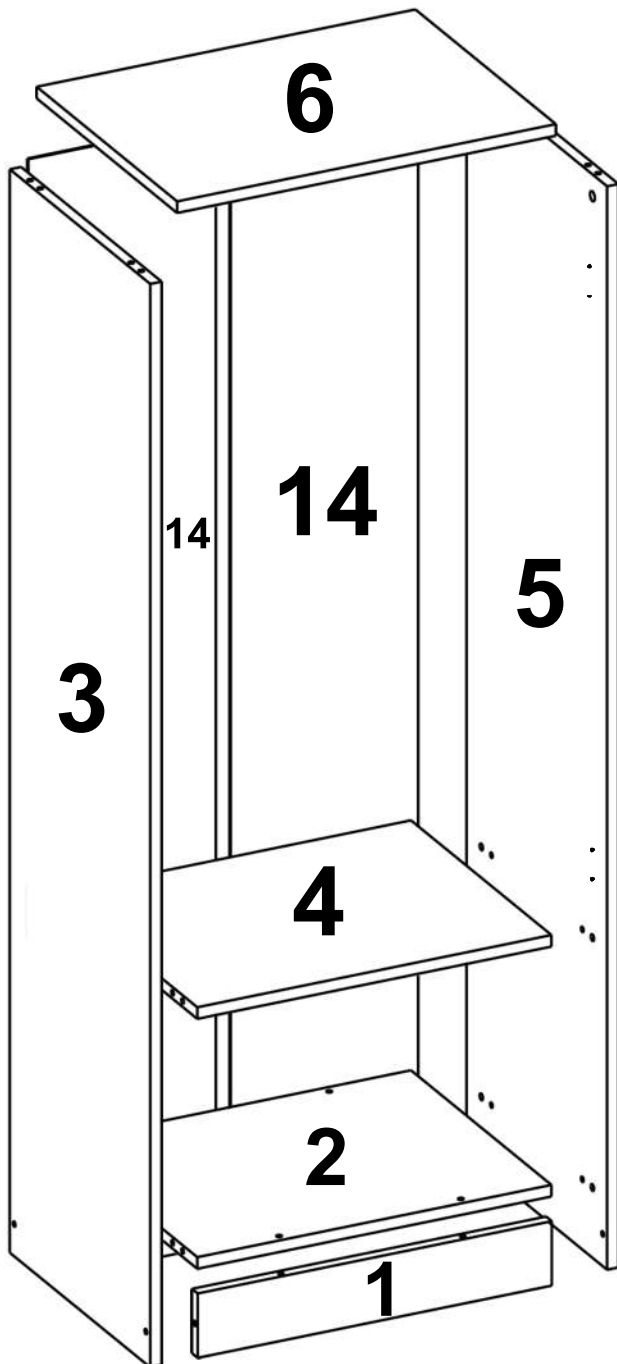


NS2





 B0501 x12	 B0502 x12	 B0503 x12	 B0504 x12	 B0304 x16
 C0409 x4	 B0318 x45	 B0401 x8	 B0301 x28	 B0303 x8
 B0105 x4	 B0101 x4	 B0602 x2	 B0601 x1 555mm	 B0905 x4
 B0328 x4	 B0511 x8	 B0510 x8		





B0502



x2

B0503



x2

B0504



x2

B0501

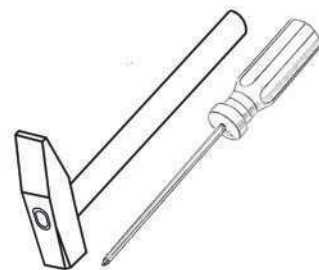


x2

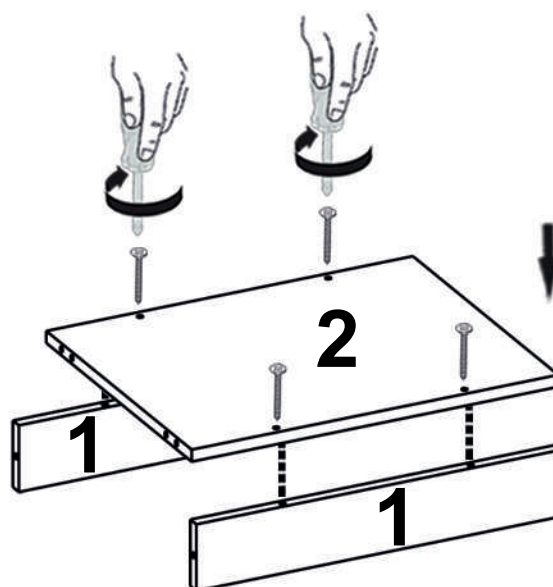
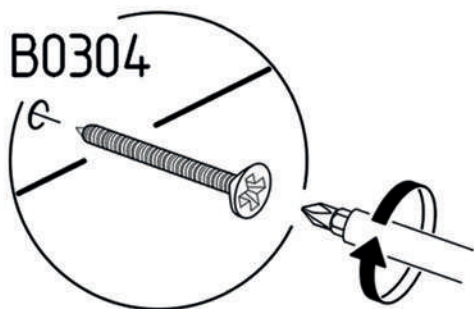
B0304



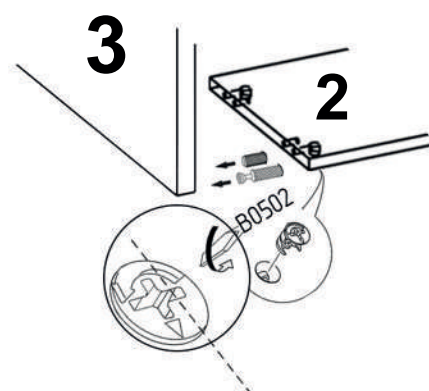
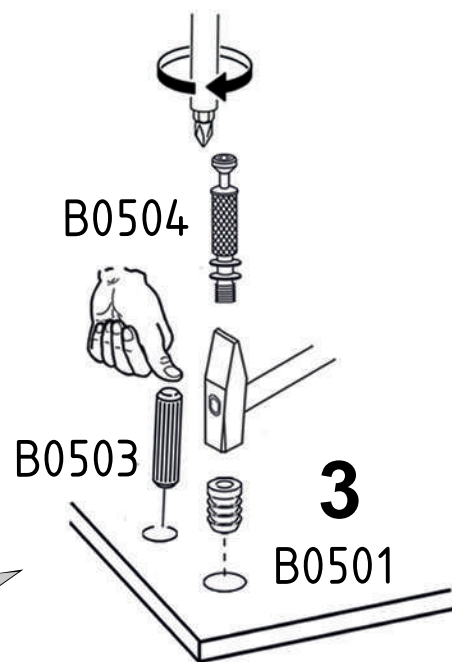
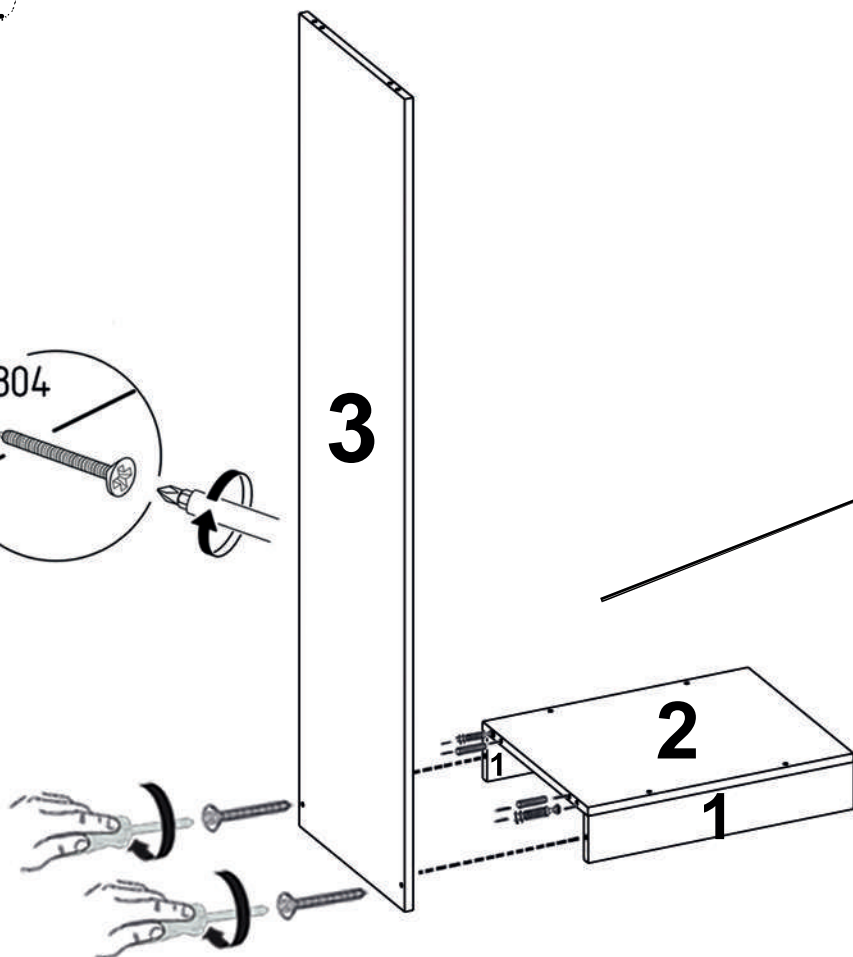
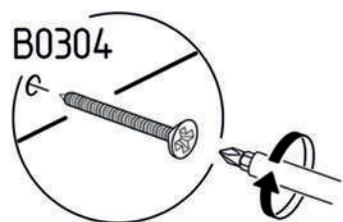
x6



1



2



2



B0502



x6

B0503



x6

B0504



x6

B0501

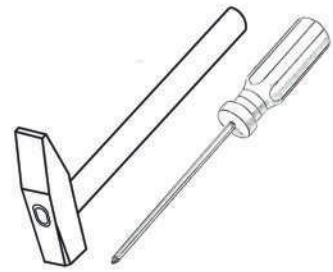


x6

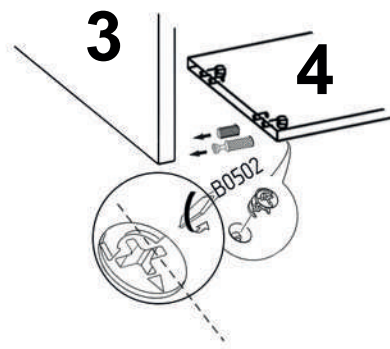
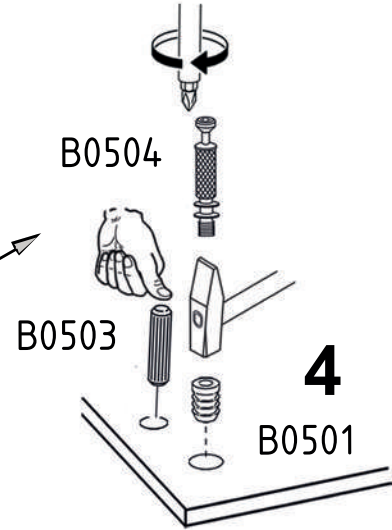
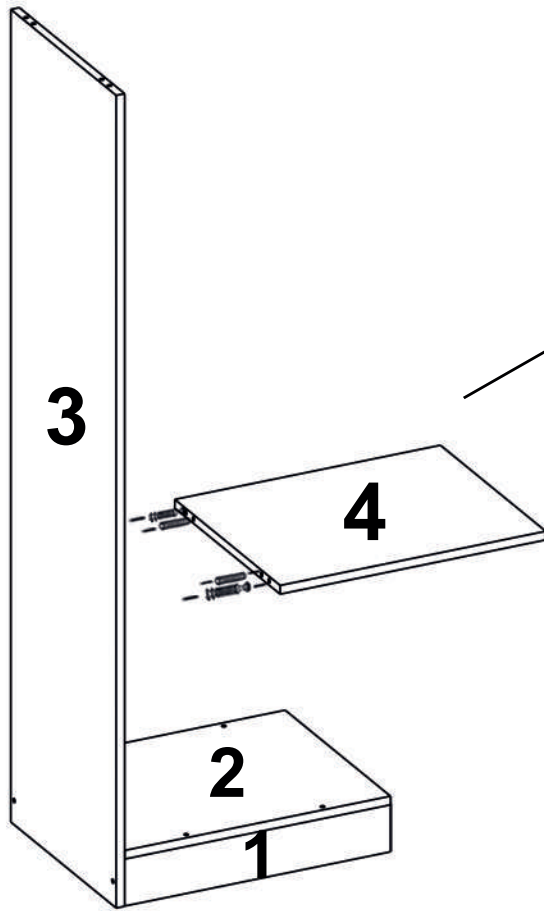
B0304



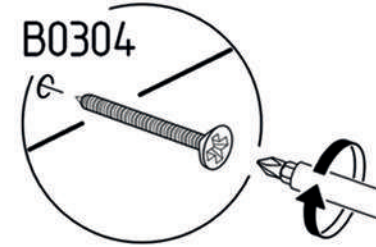
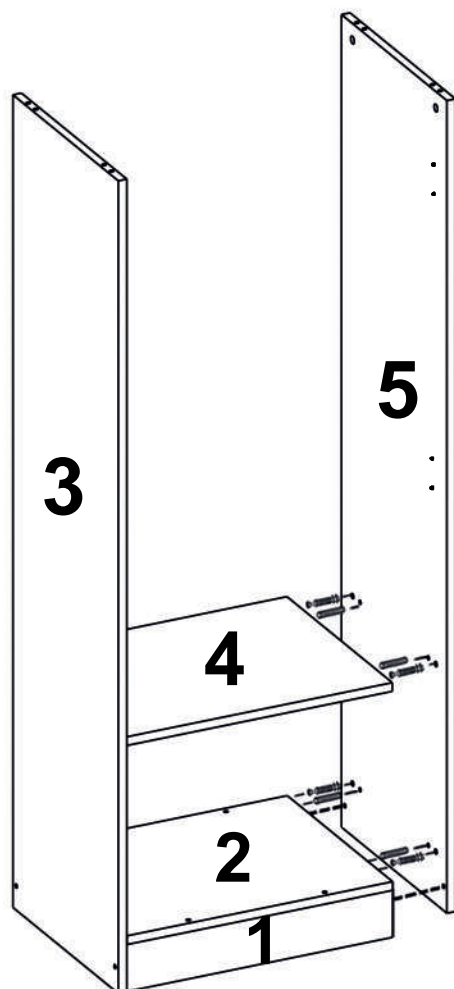
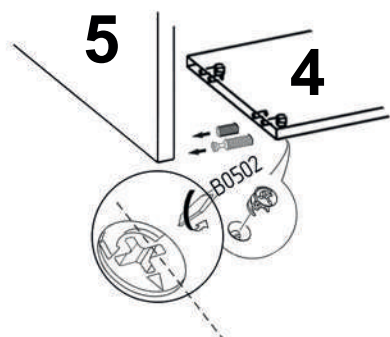
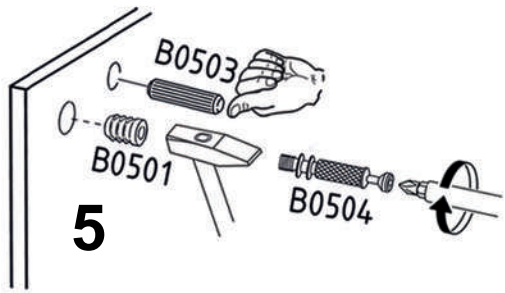
x2



3



4



3



B0502



x4

B0503



x4

B0504



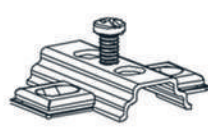
x4

B0501



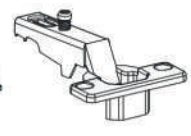
x4

B0105



x4

B0101

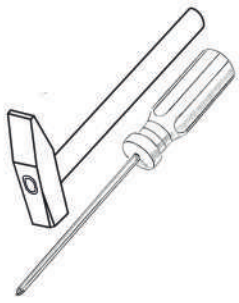


x4

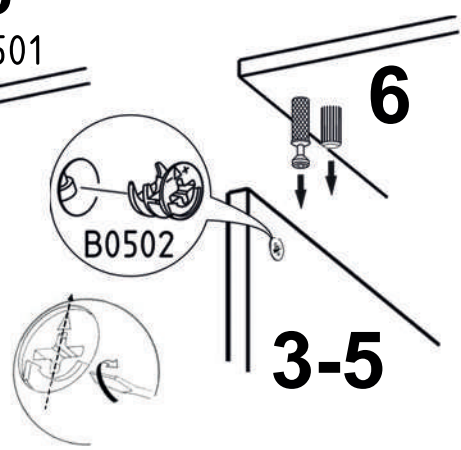
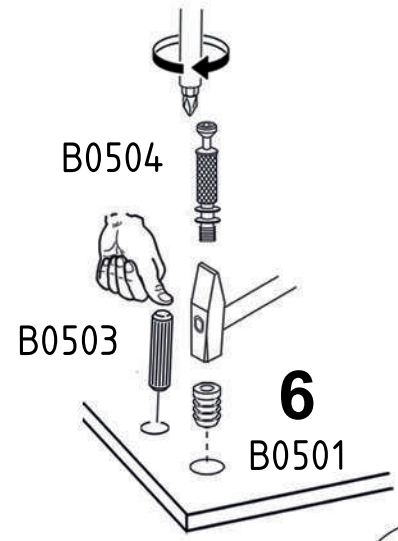
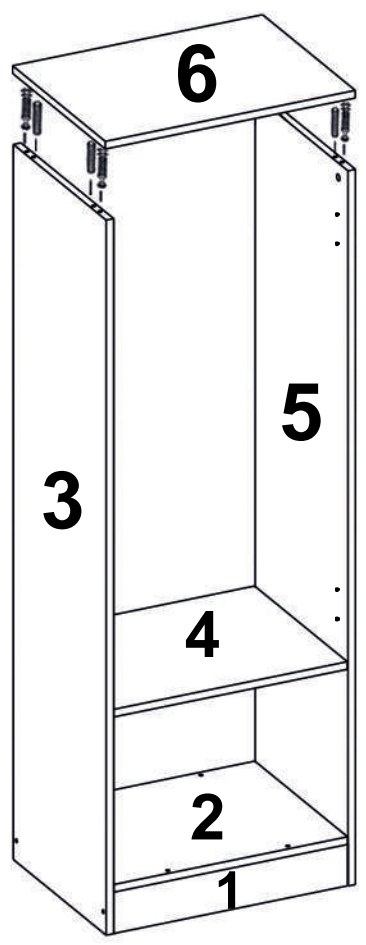
B0301



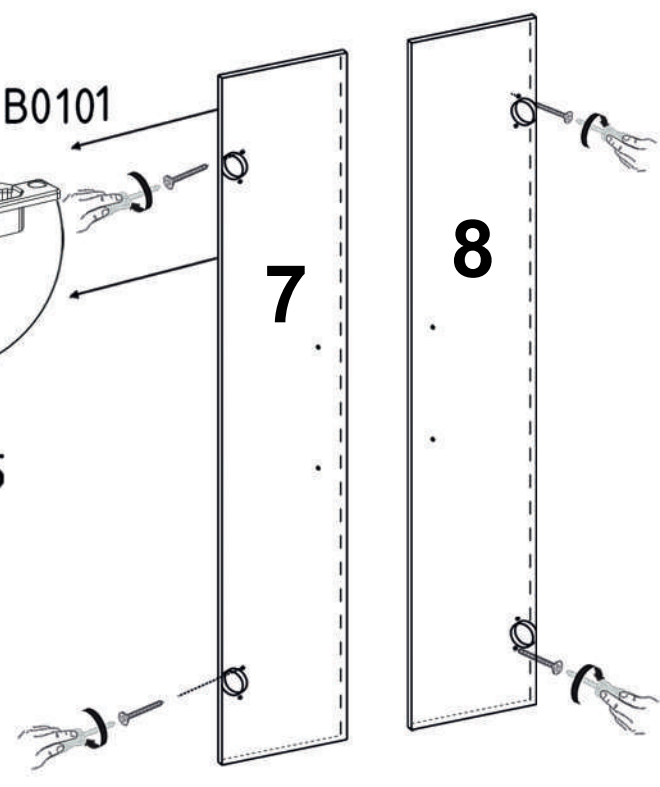
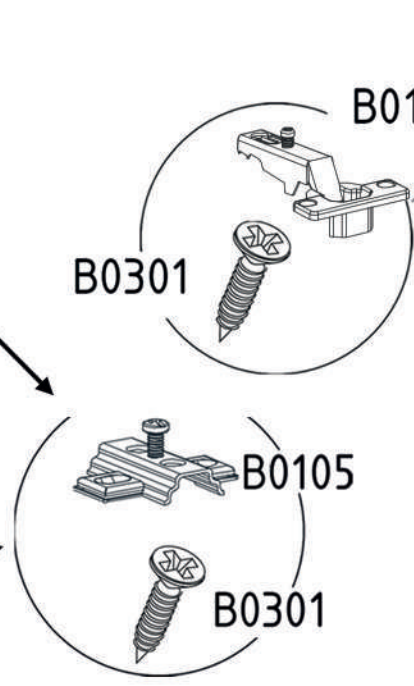
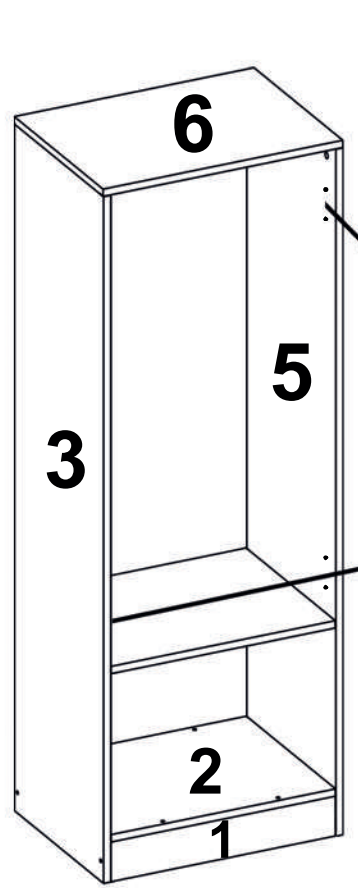
x16



5



6



3



B0602



x2

B0601

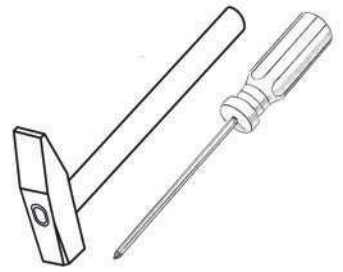


555mm
x1

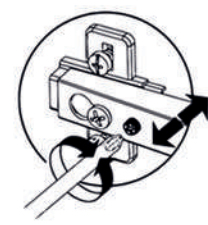
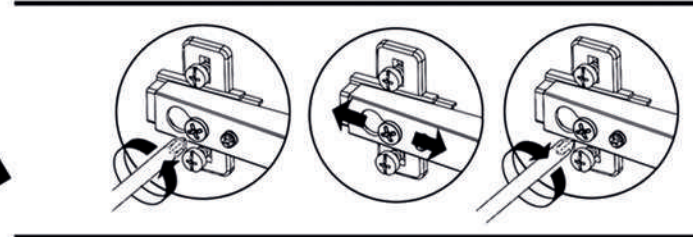
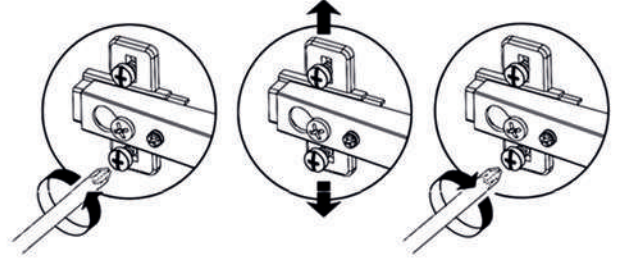
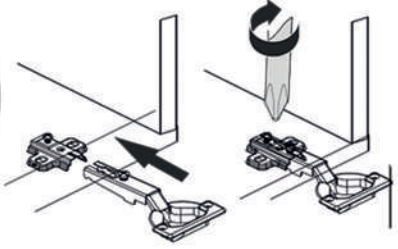
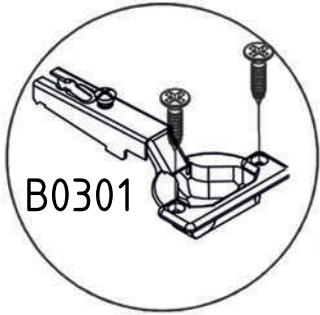
B0301



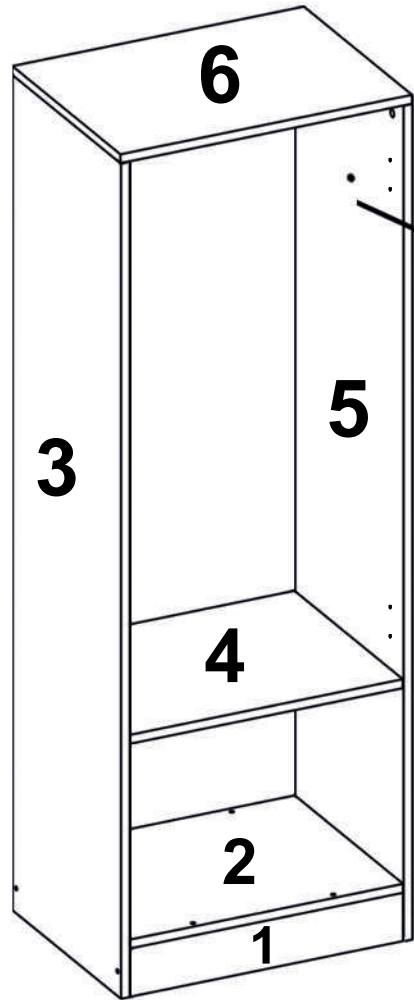
x4



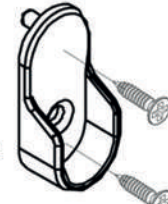
7



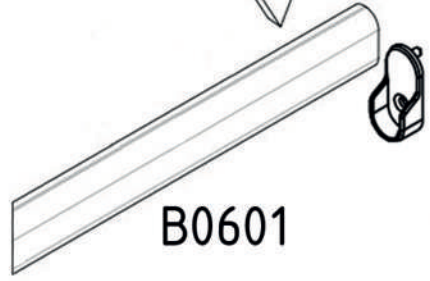
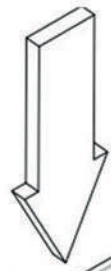
8



B0602



B0301



B0601

7



B0303

C0409

B0511

B0510



x4



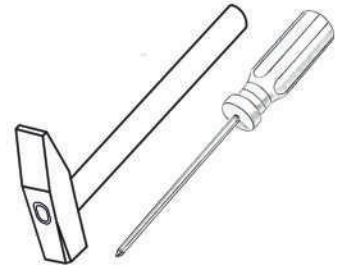
x2



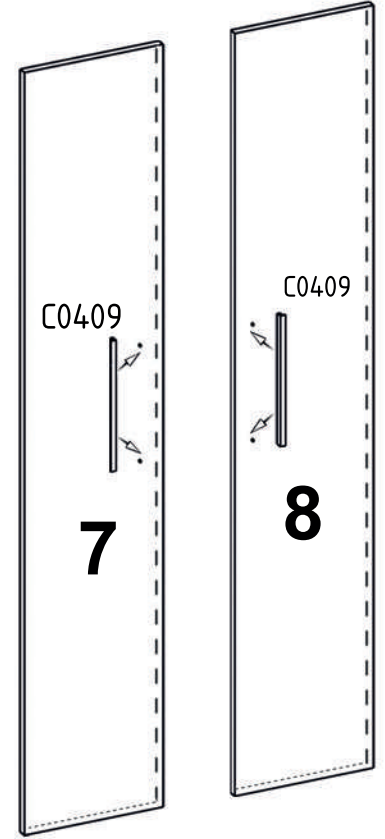
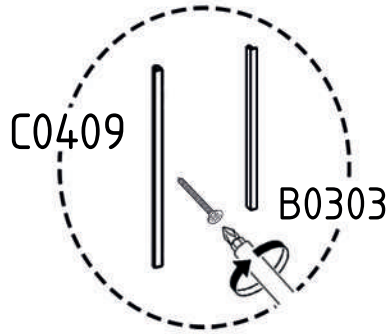
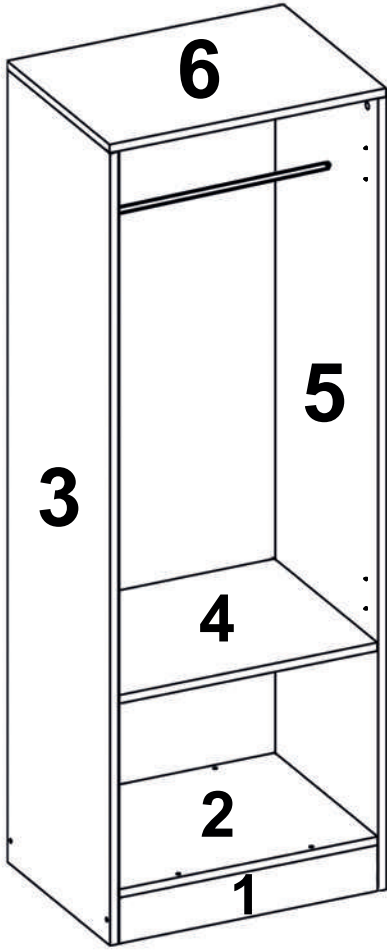
x8



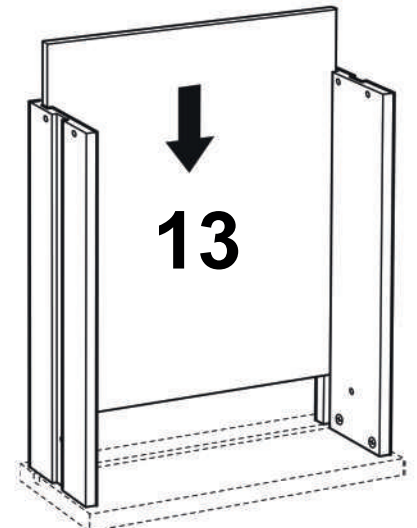
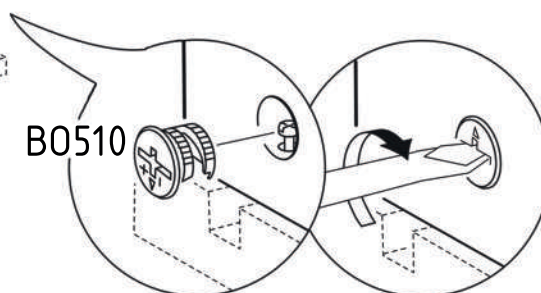
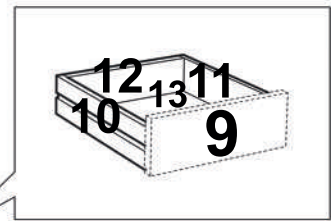
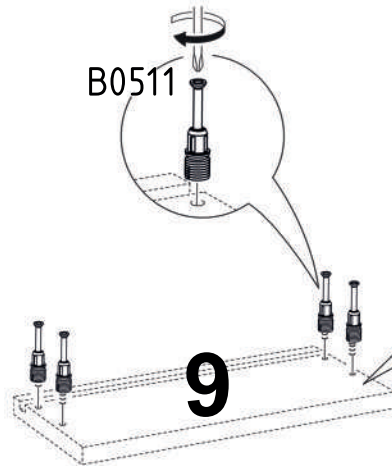
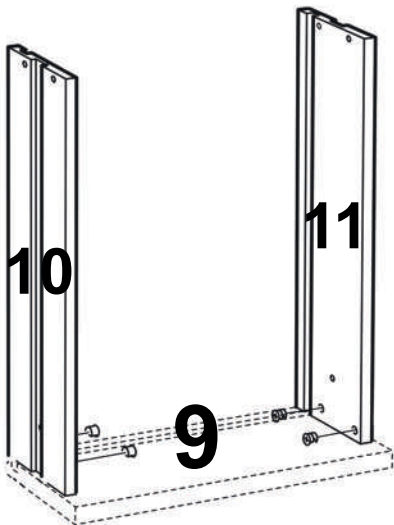
x8



9



10



6



B0301

B0905

B0304

B0328

B0303

C0409



x8



x4



x8



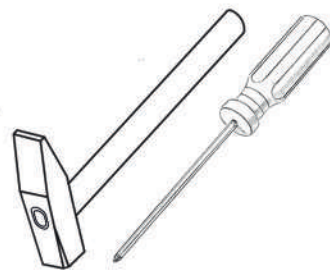
x4



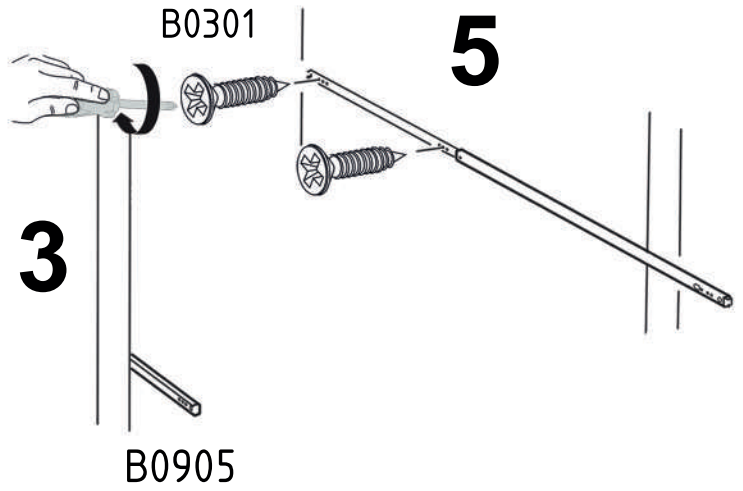
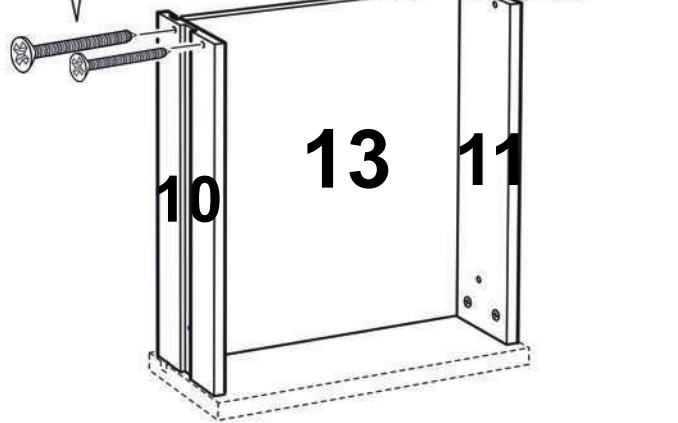
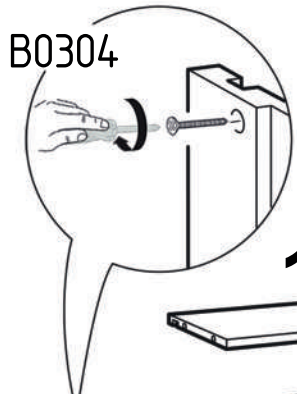
x4



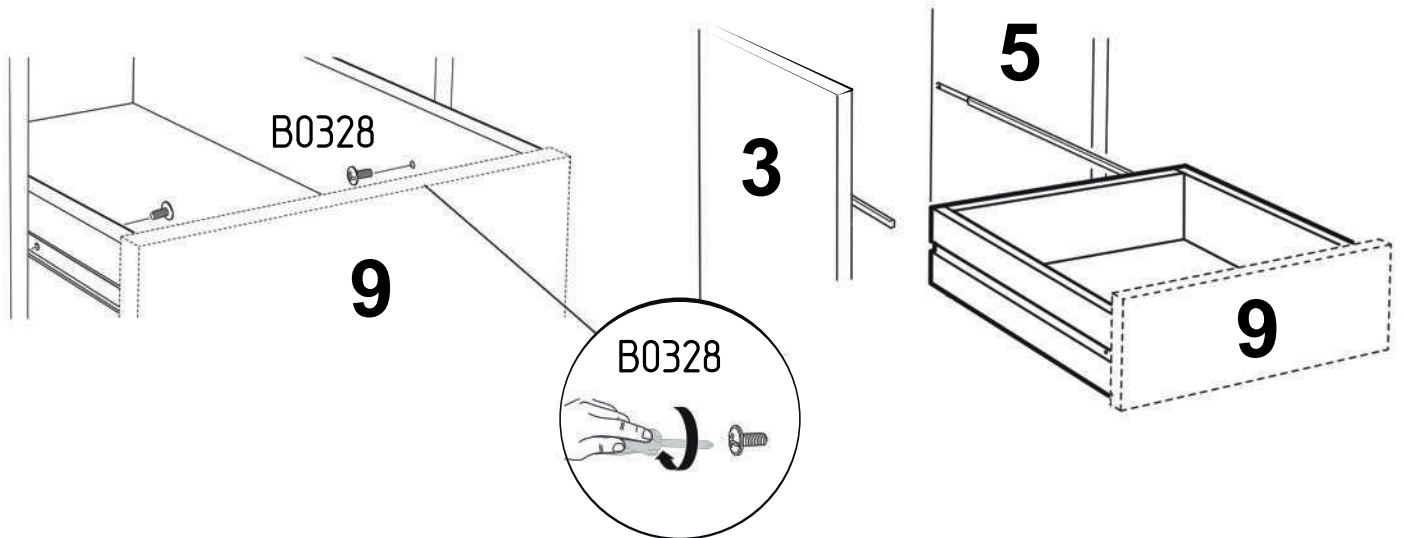
x2



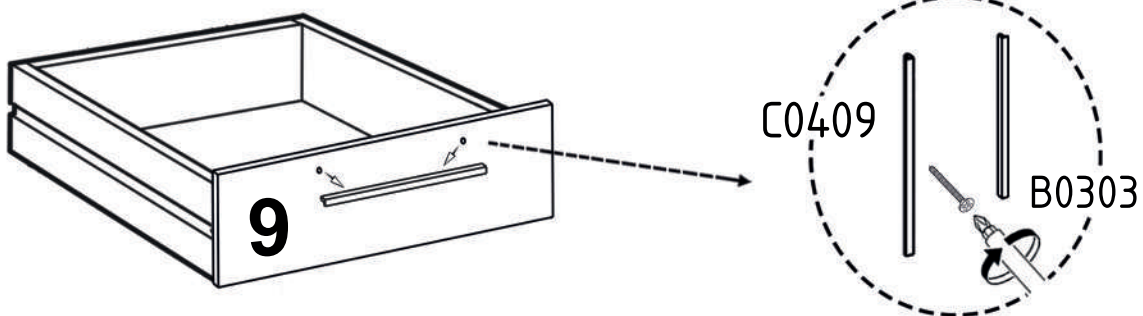
11



12



13





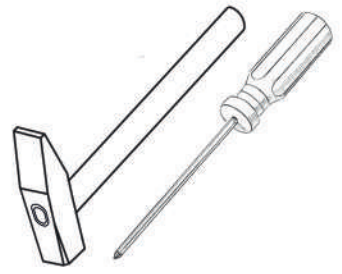
B0318

B0401

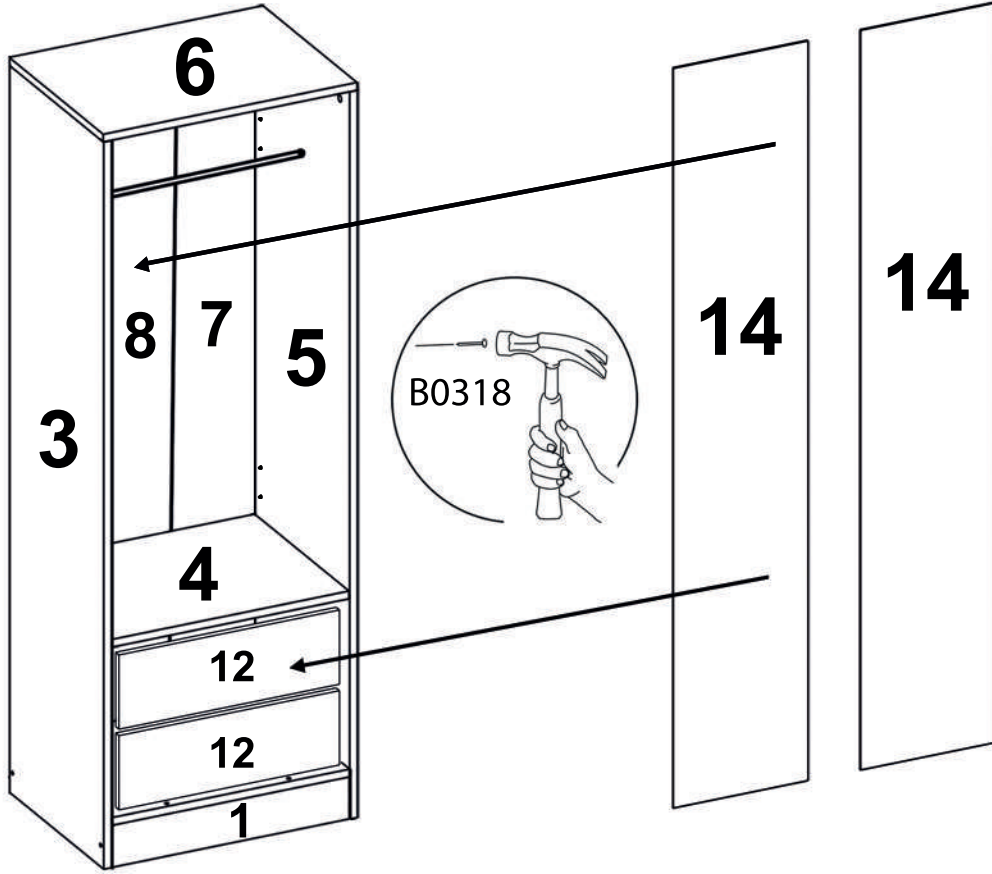


x45

x8



14



15

