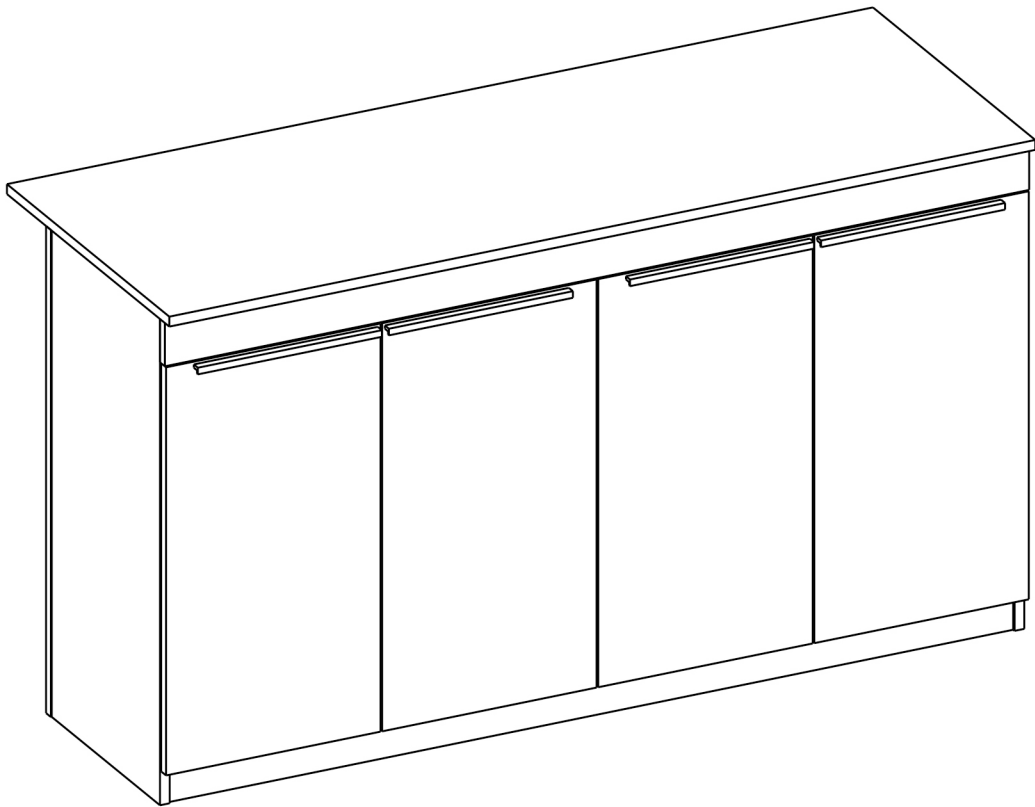
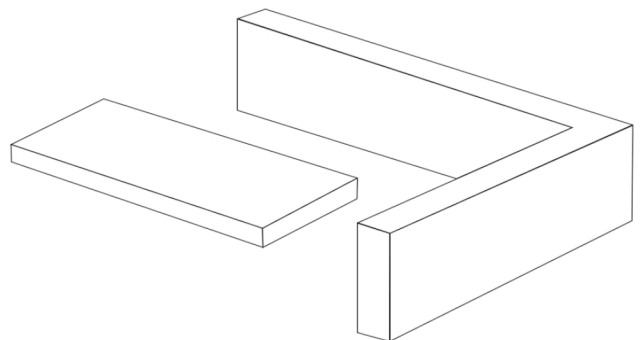
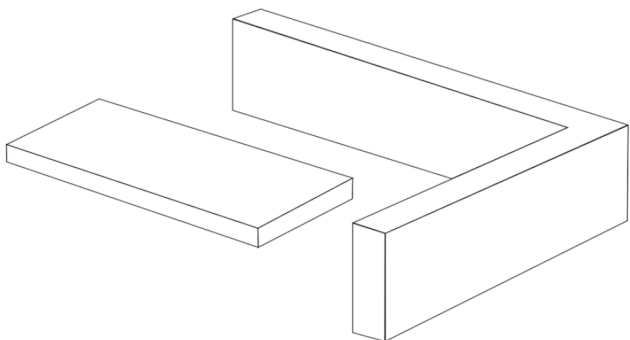
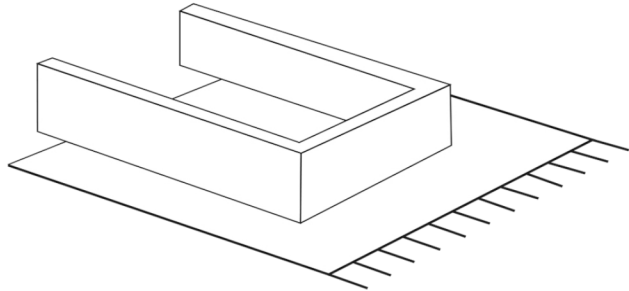
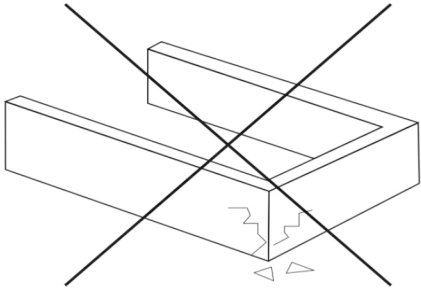
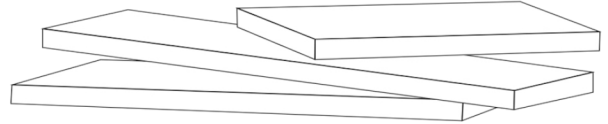
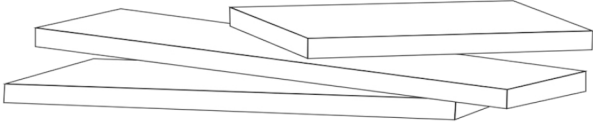
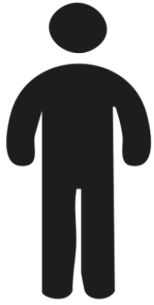


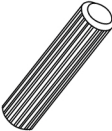


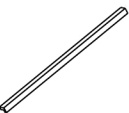


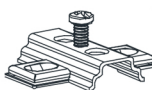

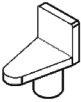


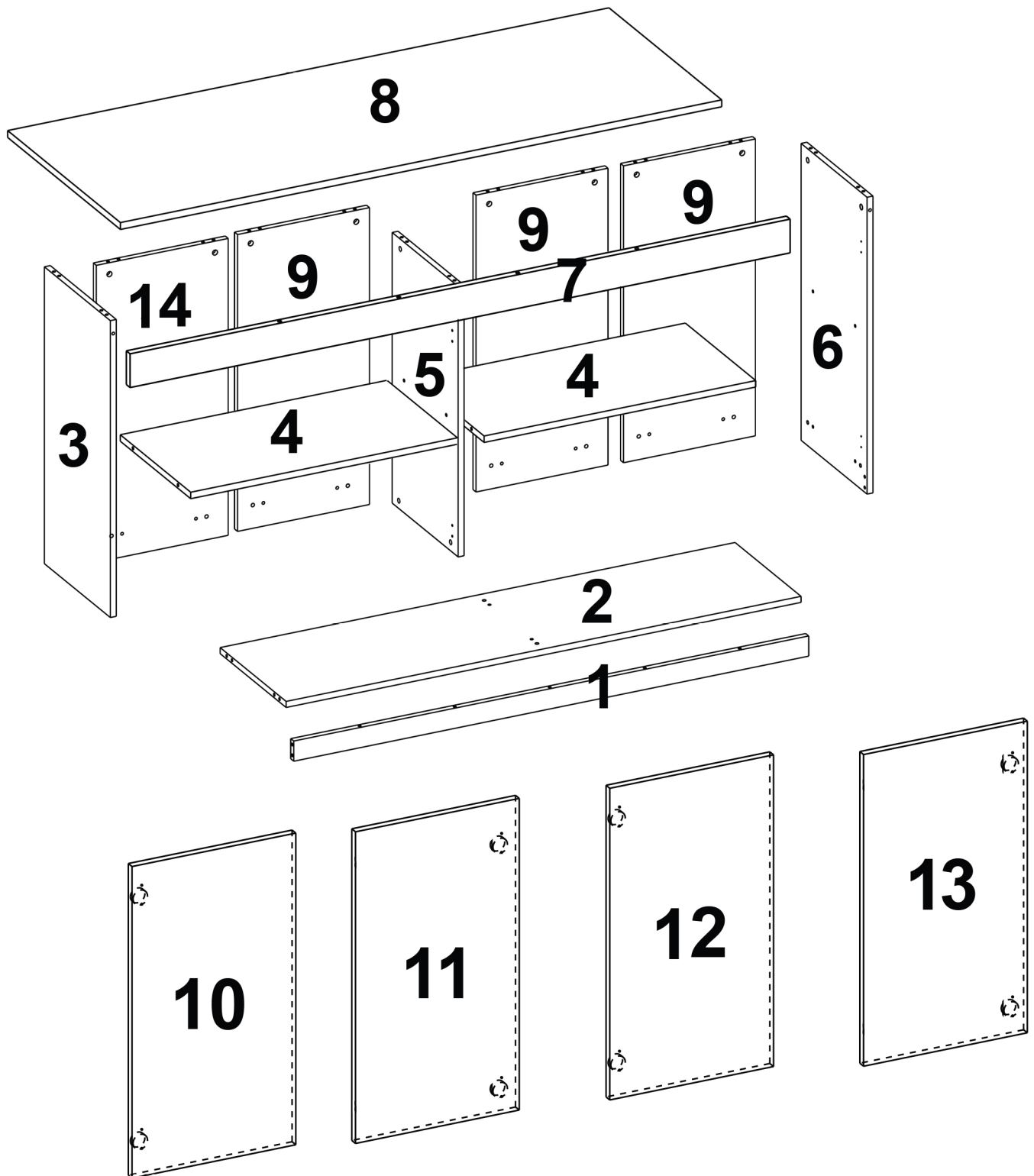


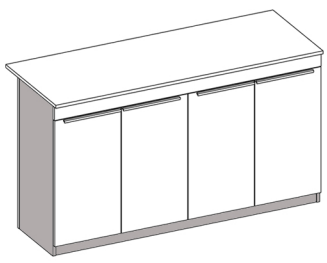
OR1





| | | | | |
|--|--|---|--|---|
|  B0501 x31 |  B0502 x31 |  B0503 x37 |  B0504 x31 |  B0301 x33 |
|  C0409 x4 |  B0101 x4 |  B0102 x4 |  B0105 x8 |  B0303 x8 |
|  B0509 x8 |  B0304 x5 |  COLOR 1 x5 | | |





B0304

B0502

B0503

B0504

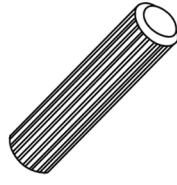
B0501



x4



x2



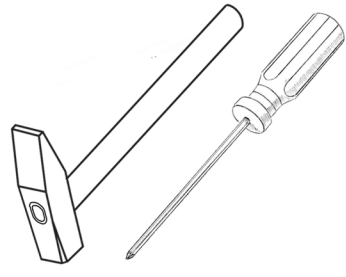
x4



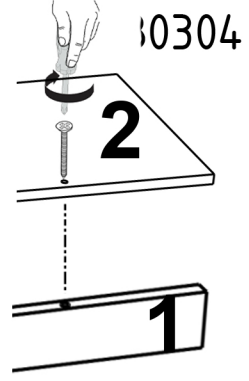
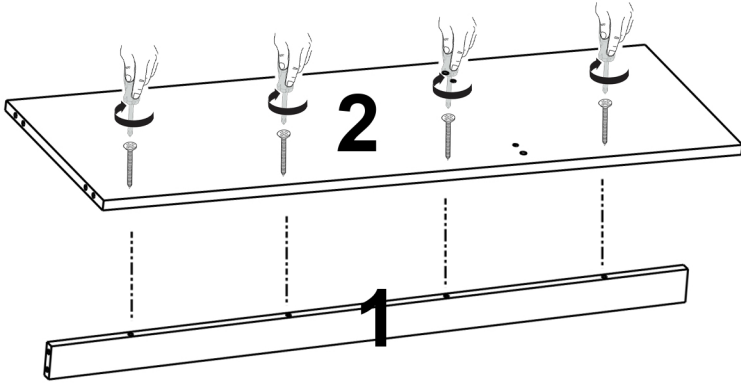
x2



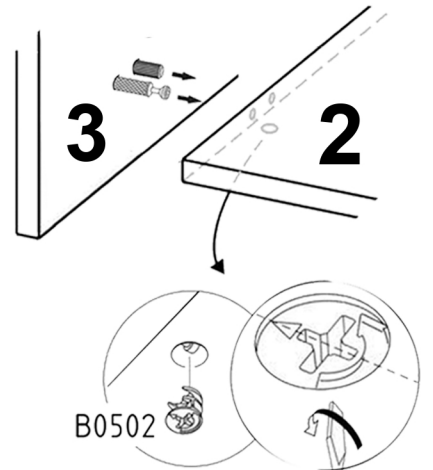
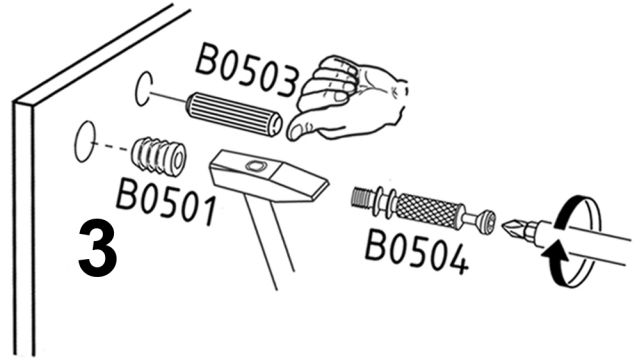
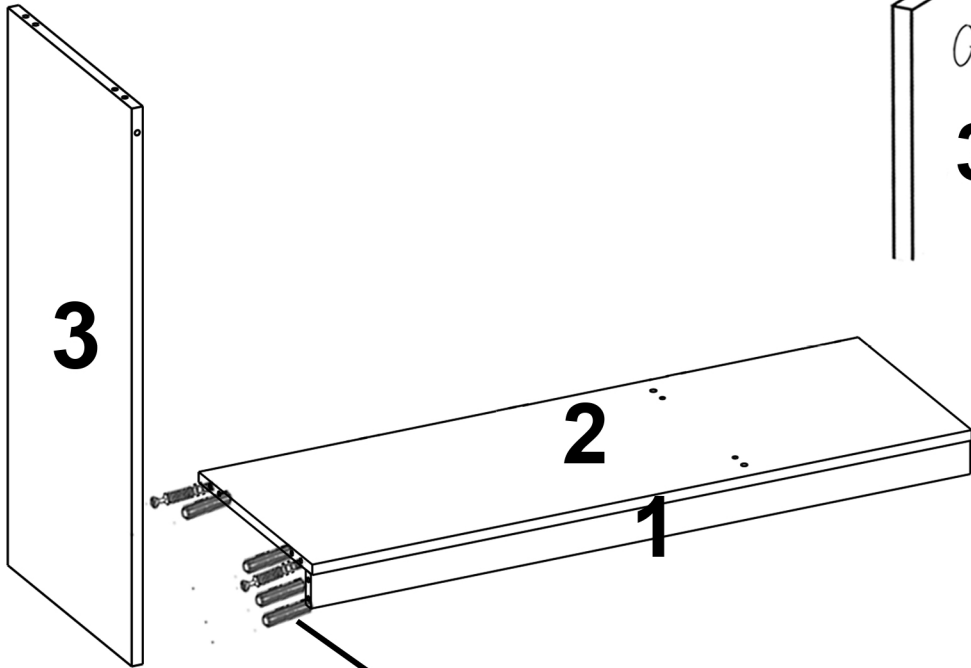
x2



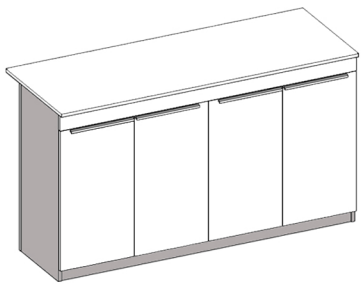
1



2



2



B0502



x4

B0503



x6

B0504

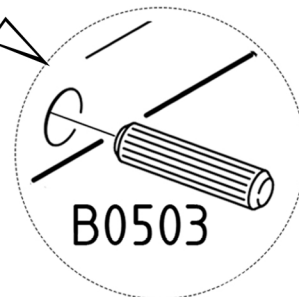
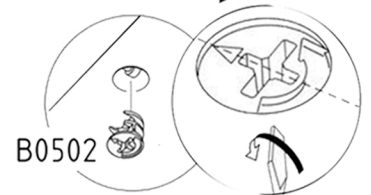
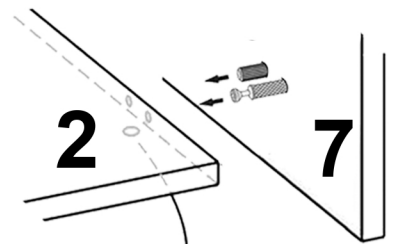
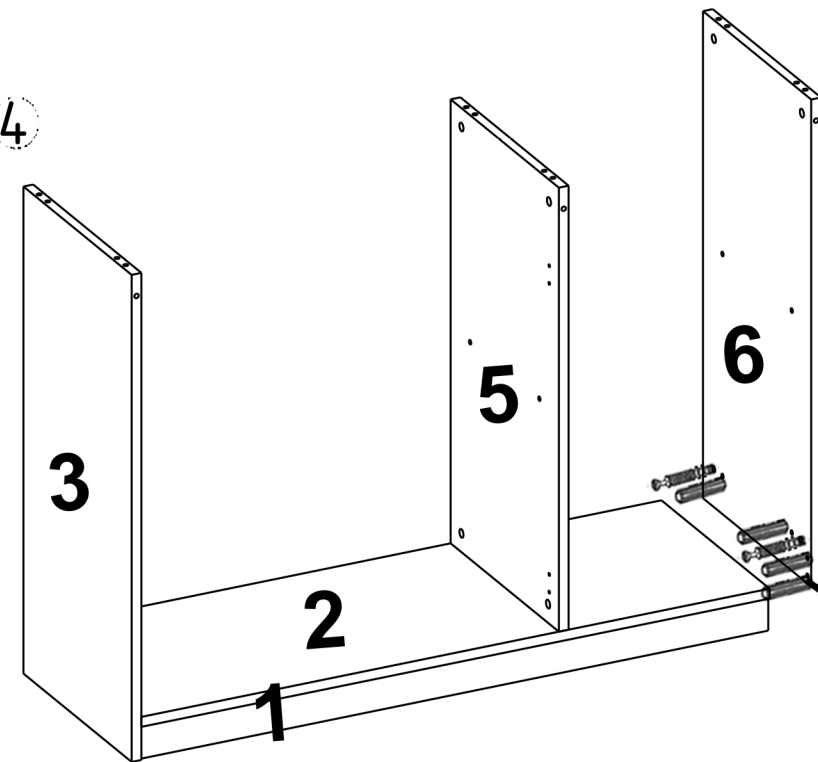
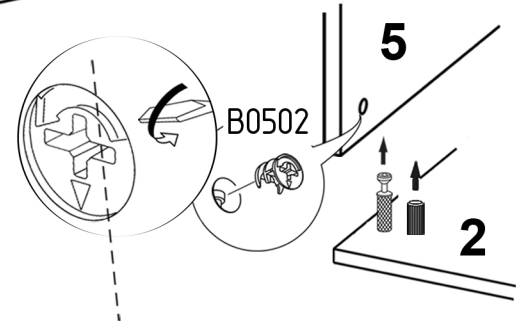
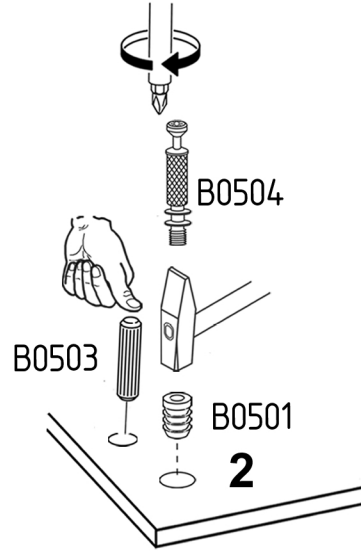
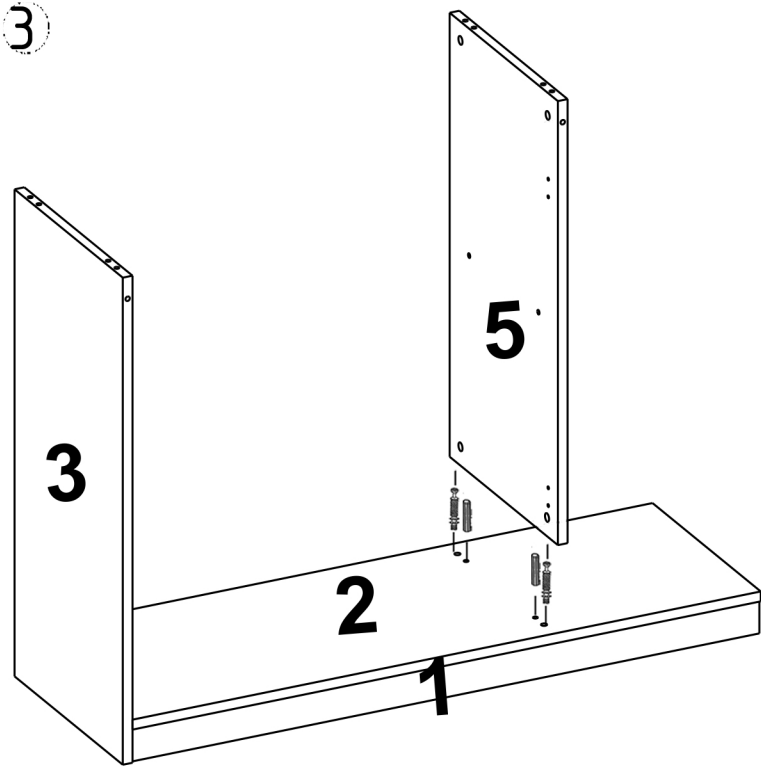
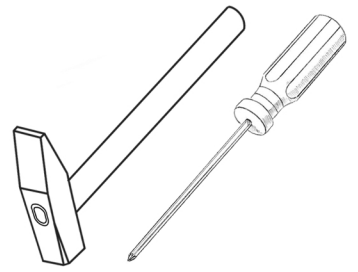


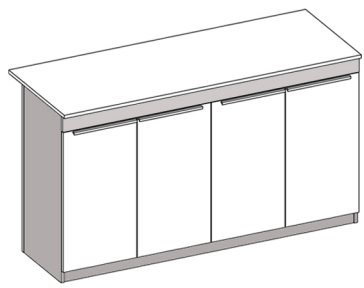
x4

B0501



x4



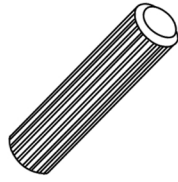


B0502



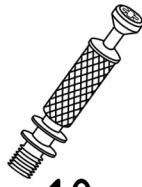
x10

B0503



x8

B0504

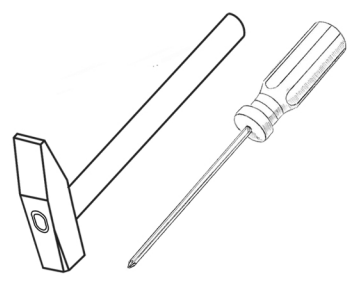


x10

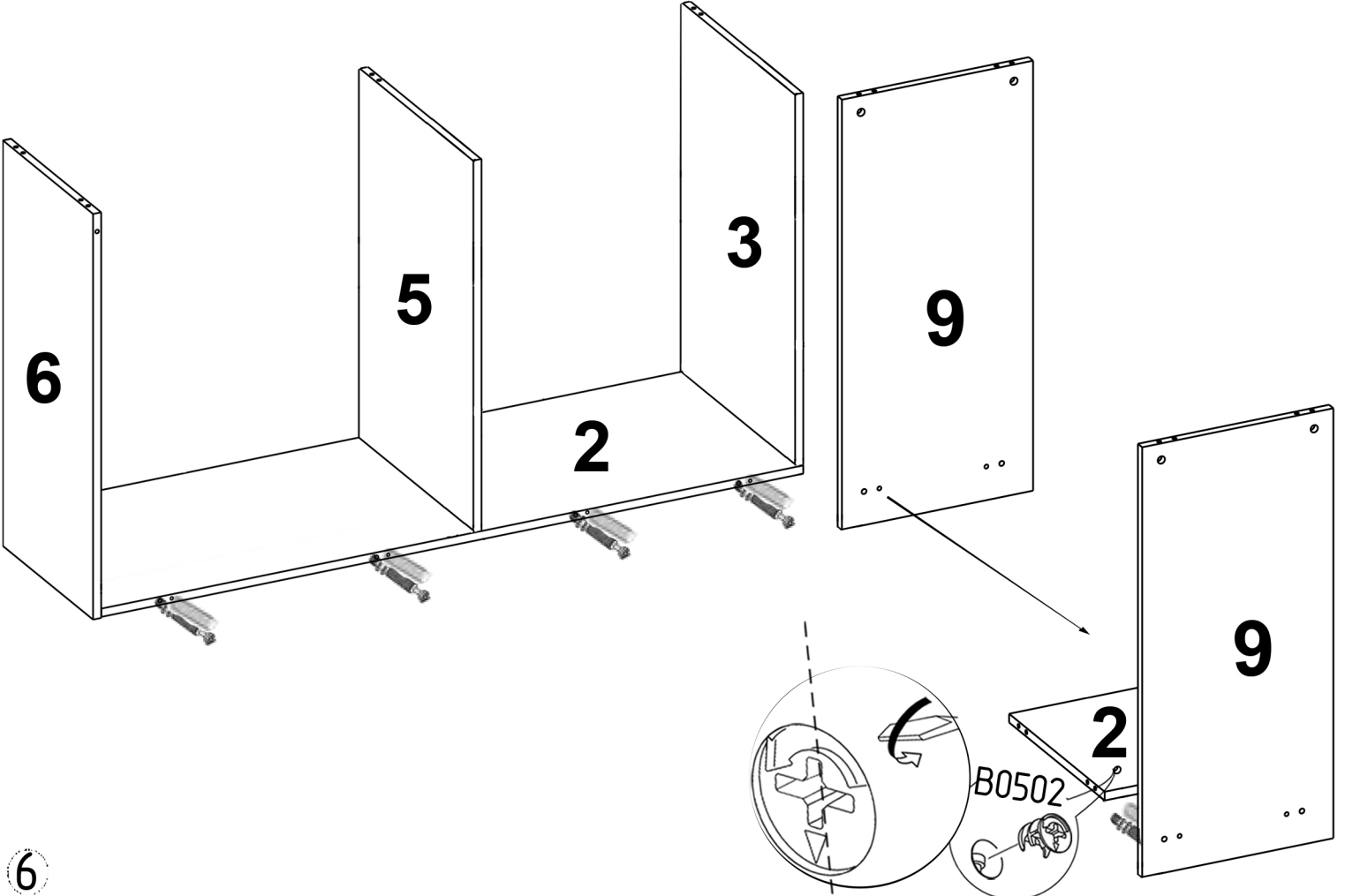
B0501



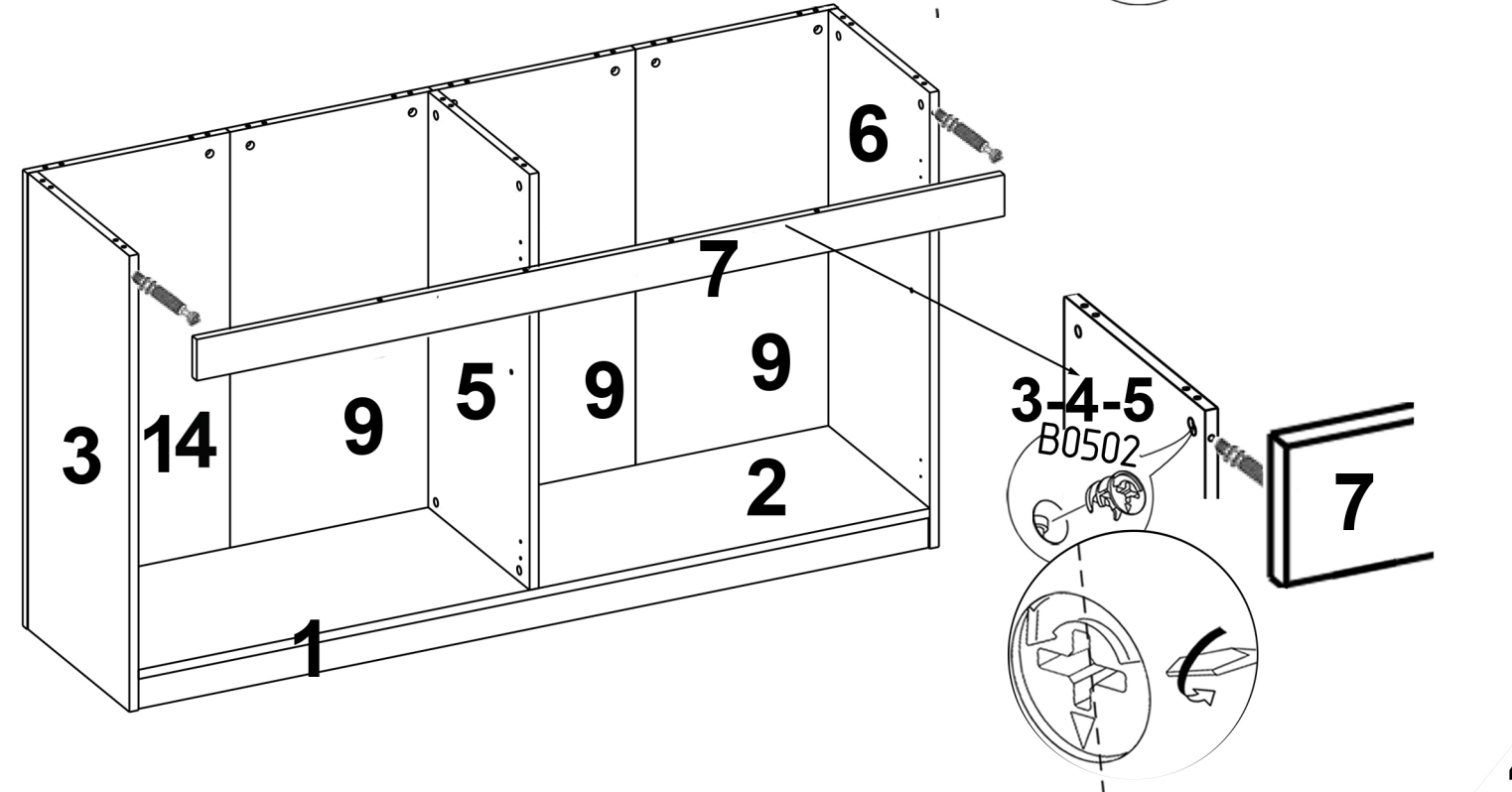
x10



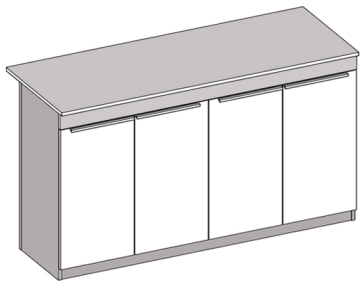
5



6



4

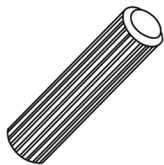


B0502



x14

B0503



x17

B0504



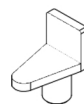
x14

B0501

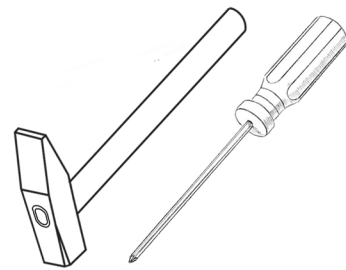


x14

B0509

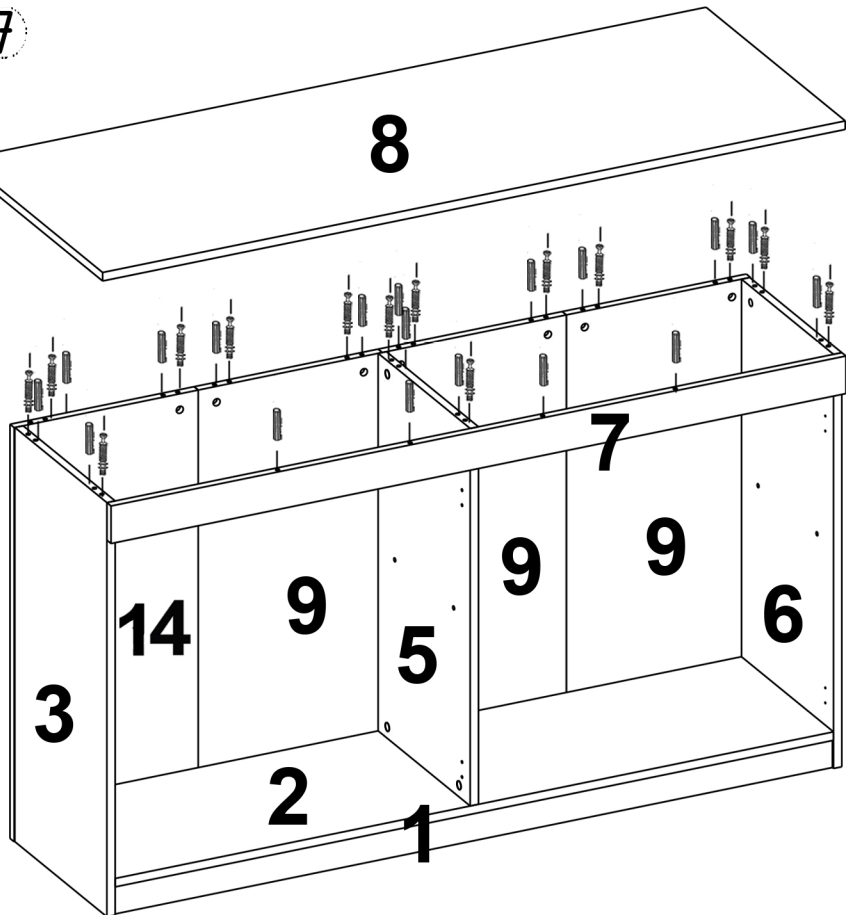


x8



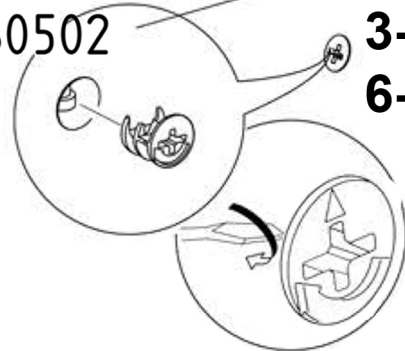
7

8



8

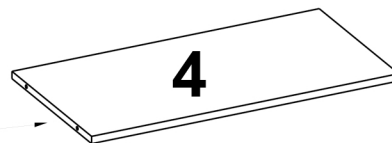
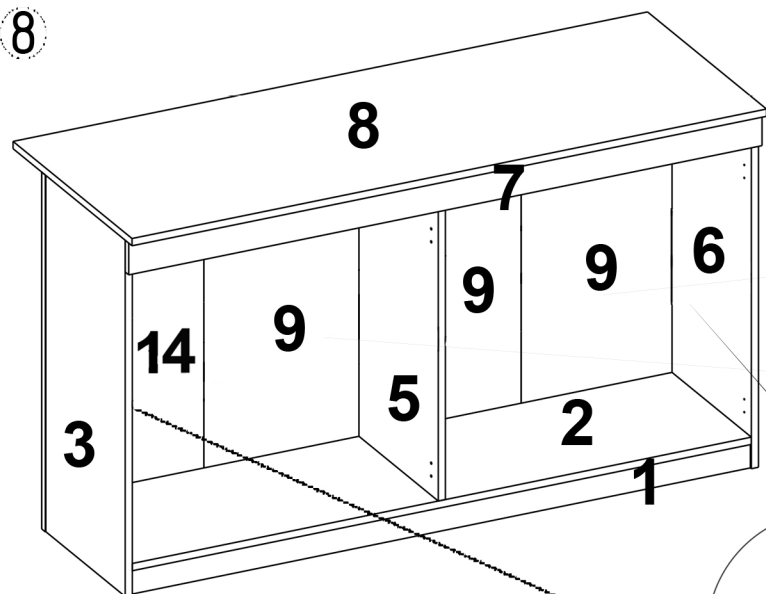
B0502



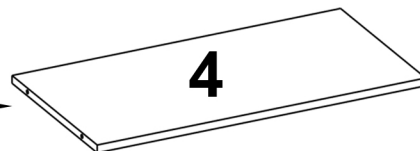
3-5
6-7

8

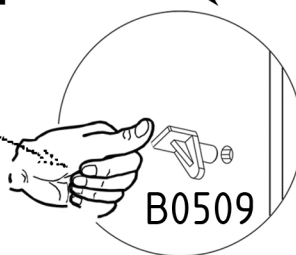
8



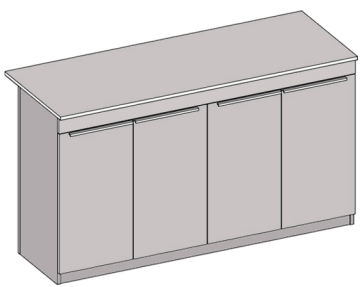
4



4



B0509

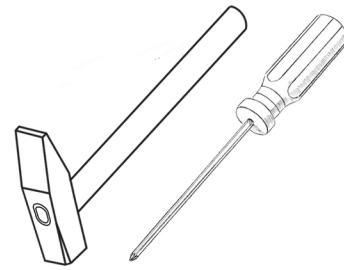
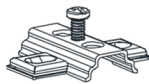
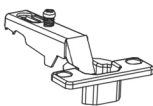
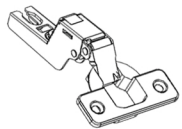


B0102

B0101

B0105

B0301



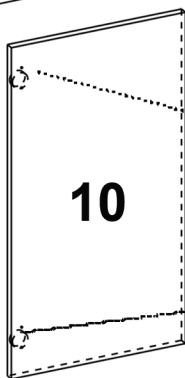
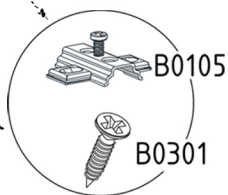
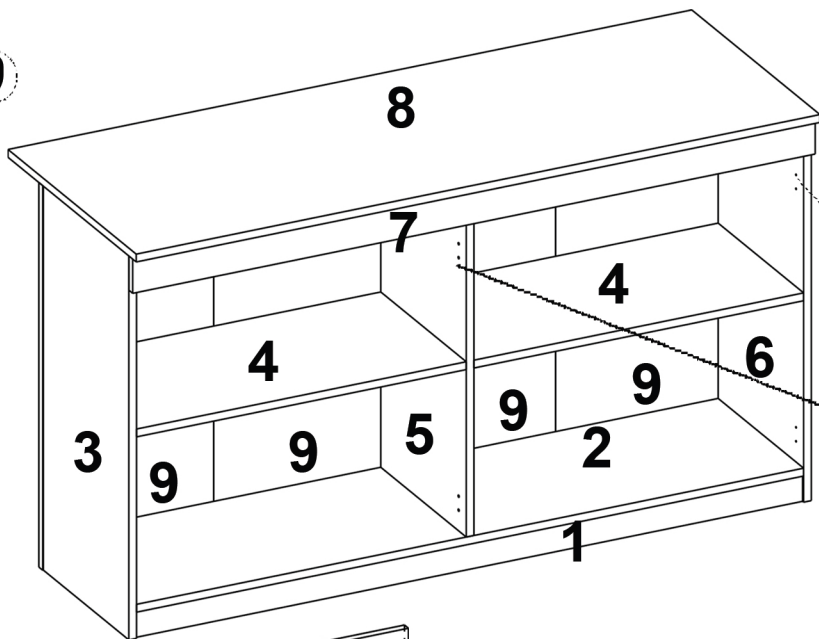
x4

x4

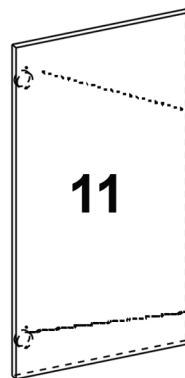
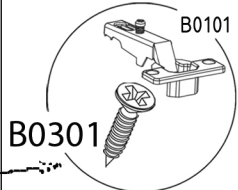
x8

x32

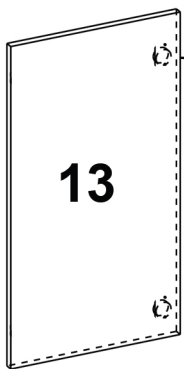
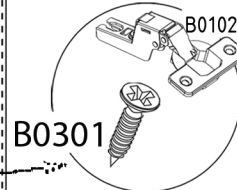
9



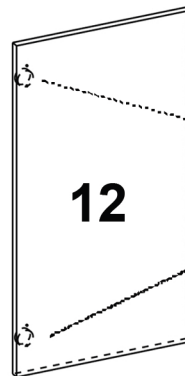
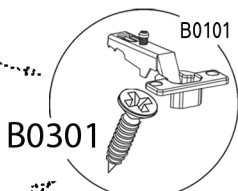
10



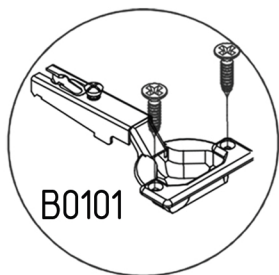
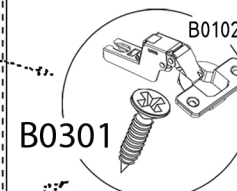
11



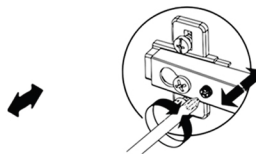
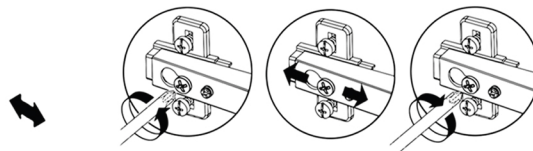
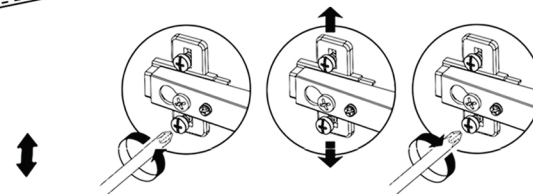
13



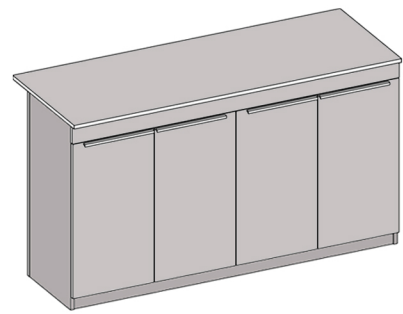
12



B0101



6



B0303

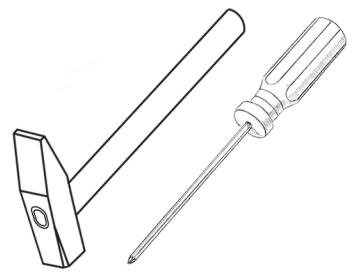
C0409



x8



x4



10

